

PANEL CUTOUT



# HOW TO ORDER

RL3-5-A-□-BB-1-P5-□-□

Function	
A	2P2 ON-OFF
B	3P2 ON-OFF W/lamp
C	3P3 ON-OFF-ON
D	3P2 ON-ON
E	2P (ON)-OFF
IL	Indicator Lamp
BD	3P2 W/ROND LEN
C-SM	3P3(ON) (ON)-OFF-ON

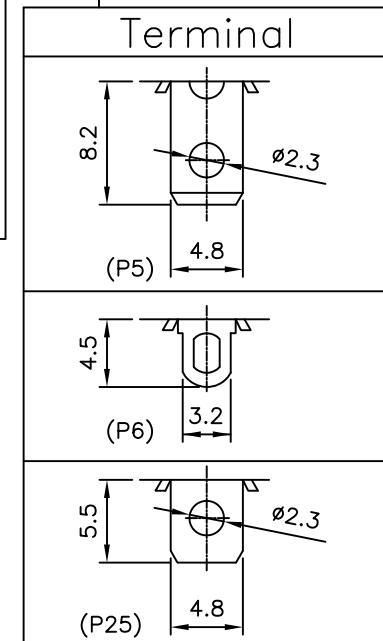
Rating	
	10A 125VAC 6A 250VAC
H	16A 125VAC 10A 250VAC

Color Housing/Cap	
B	Black
W	White
R	Red
Y	Yellow
G	Green
GY	Grey

LIGHT Voltage	
	NOTHING
1	110VAC
2	220VAC
3	12VDC
4	24VDC

WATERPROOF CAP	
	Nothing
WP	WP-RL3-5

Cap Printing			
6		0	None
7		1	
8		2	
21		3	
22		4	
		5	



SPECIFICATION

6(2)A 250VAC T125/55 1E4  
10A 125VAC  
(H): 10(4)A 250VAC T125/55 1E4  
10(2)A 250VAC T85/55 5E4  
12(8)A 250VAC T85/55 1E4  
16A 125V/10A 250VAC 1/3HP 125-250VAC T105

NO.	DESCRIPTION	QTY	MATERIAL	SPECIFICATION	REMARK
DRAW BY	CHUN	111312	SCALE	2 : 1	ITEM NO. RL3-5
DEGN BY	YANG		UNIT	MM	TITLE ROCKER SWITCH
APPD BY	RAY			PROJ	DWG NO. RL3-5-CN05-TN00-A1

DATE	DRAWG BY	REVISED
		△

同利企業有限公司

TELE LONG ENTERPRISE CO.,LTD  
E-mail: rayyang@seed.net.tw