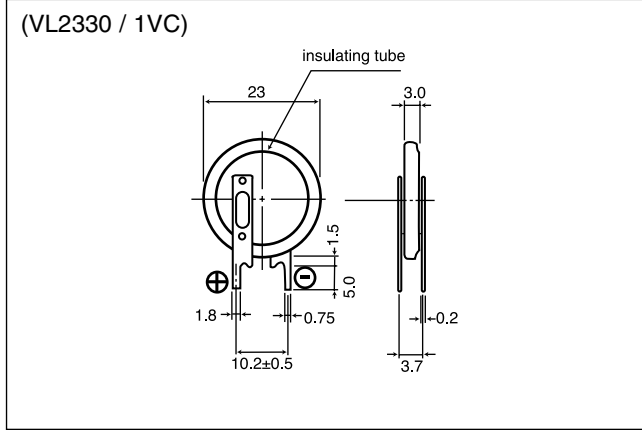


VL2330/***

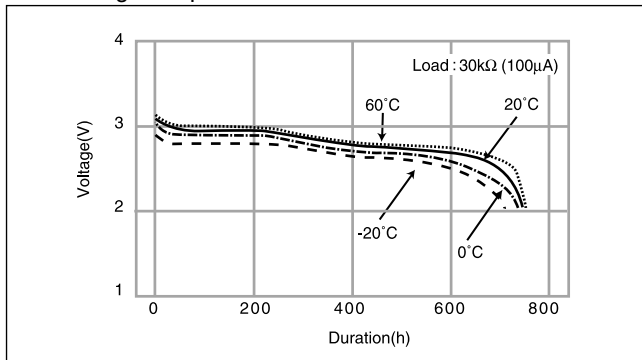
■ Dimensions(mm)



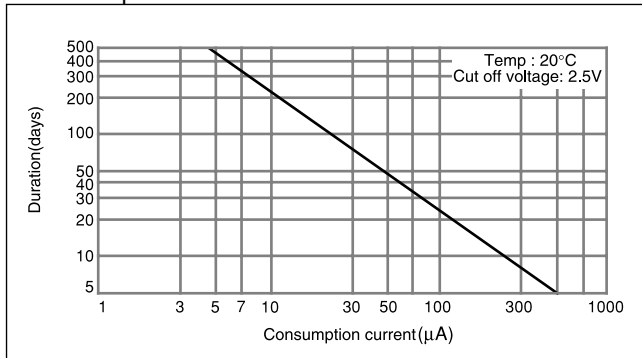
■ Specification

Nominal voltage(V)	3
Nominal capacity(mAh)	50.0
Continuous drain(mA)	0.1
Operating temperature(°C)	-20 to +60

■ Discharge temperature characteristics

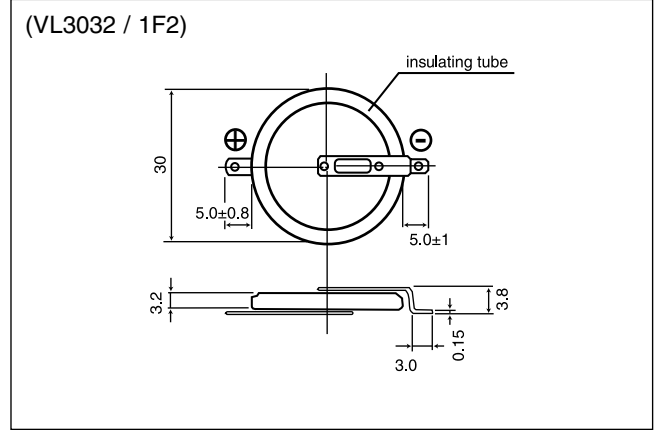


■ Consumption current vs. duration time



VL3032/***

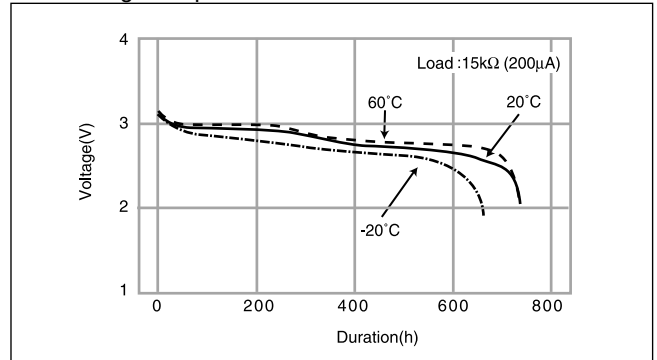
■ Dimensions(mm)



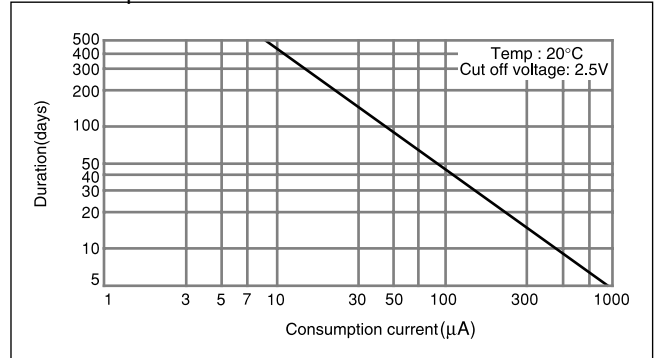
■ Specification

Nominal voltage(V)	3
Nominal capacity(mAh)	100.0
Continuous drain(mA)	0.2
Operating temperature(°C)	-20 to +60

■ Discharge temperature characteristics



■ Consumption current vs. duration time



■ Cycle life(VL series)

