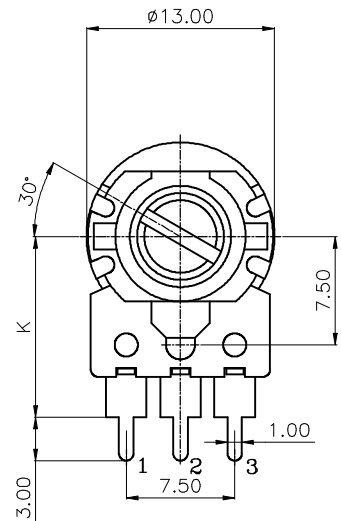
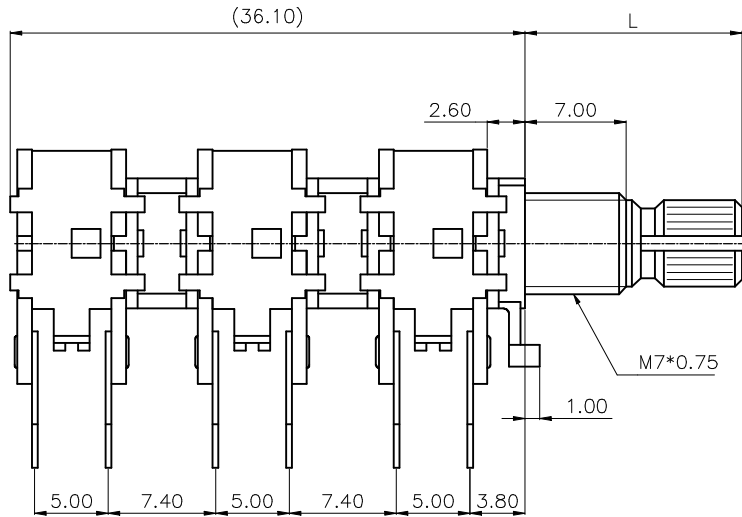


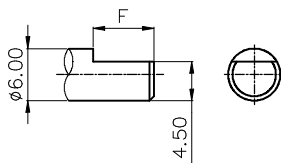
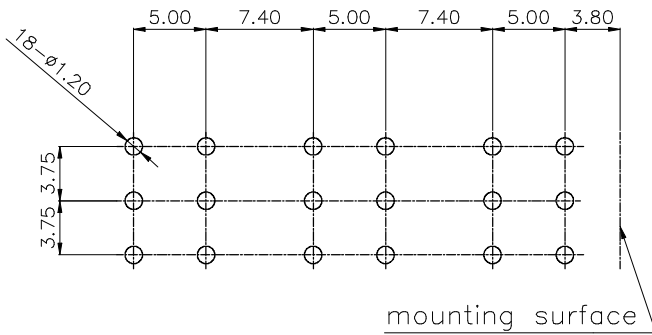
REV. A

MODEL: R1260G-□A□
X Z

Z	1	2
K	10.0	12.5

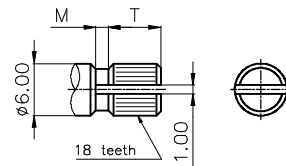


shaft shown in full C.C.W. position



F TYPE:

X	A	B	C	
L	15	20	25	
F	7	12	12	



KQ TYPE:

X	2	3	4	5
L	15	20	25	30
T	6	8	12	12
M	1	2	4	4

MODEL: R12□□G

Mechanical characteristics:機械的性能:

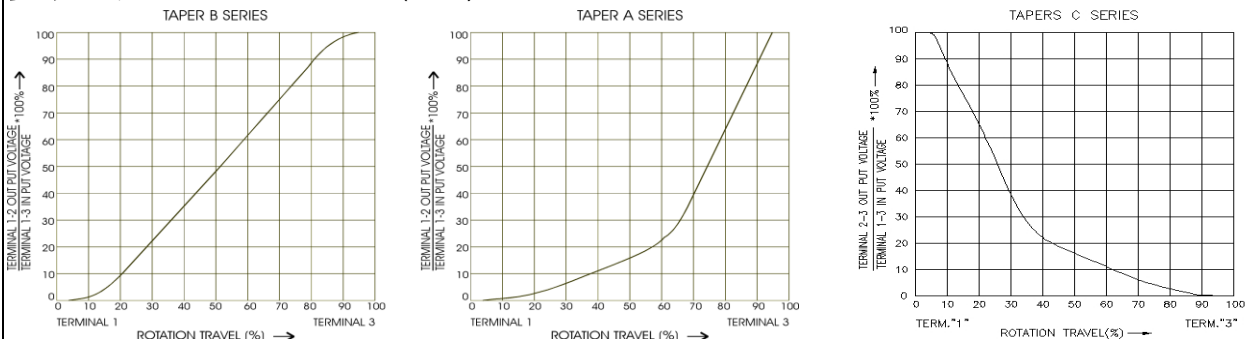
Item<項目>	Performance<性能>
Total rotational angle/travel 全迴轉角度/行程	300°±10°
Rotation torque 迴轉扭力	20~204 gf-cm
Shaft rotational stopper strength 軸的止迴轉強度	5 kgf-cm
Push-pull strength 軸推拉強度	7 kgf
Click position C.C.位置	Center click,11/21/31/41 detent

Electrical characteristics:電氣的性能:

Item<項目>	Performance<性能>
Resistance taper 阻值線性	A/B/C

Reference: Standard resistance tapers in reference to rotational angles(travel) are as shown below:

參考:標準阻值曲線及旋轉角度(行程)表示如下:



Total resistance 總阻值	5KΩ~1MΩ
Total resistance tolerance 總阻值容許差	±20% (more than 1MΩ±30%)
Max. operating voltage 最高使用電壓	B curve:150V Other than curve B:100V
Rated power 定格電力	B curve:0.08W Other than B curve:0.04W
Residual resistance 殘留阻值	$R \geq 250K\Omega$ 0.1% max. of total resistance $250K\Omega > R > 10K\Omega$ 20Ω max. $10K\Omega \geq R$ 10Ω max.
Rotational/sliding noise 迴轉/滑動雜音	Less than 100mV
Insulation resistance 絕緣抵抗	More than 50MΩ at DC 500V
Manual Soldering heat 手焊錫溫度	Below 300°C, Less than 3 seconds.
Gang error 相互偏差(同步)	-40 to 0dB dB ≤ 3dB

Durability:耐久的性能:

Item<項目>	Performance<性能>
Rotational/sliding life 迴轉/滑動壽命	15,000 cycles (15,000 次)