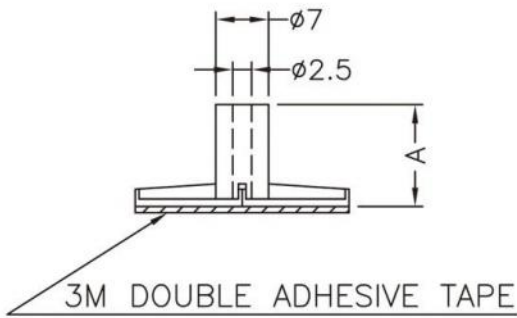
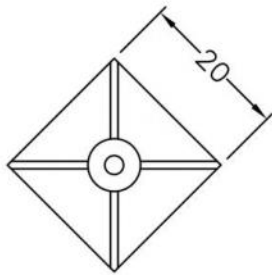


WEBSITE PHOTOS

⚠ This dwg is for reference only, Actual dwg should be based on formal engineering dwg issued by Kang Yang.



A
5.6

The Height is not include the releasing paper and adhesive tape ' s thickness.


康揚企業股份有限公司
 KANG YANG HARDWARE ENTERPRISE CO., LTD.
康揚塑膠(東莞)有限公司
 KANG YANG PLASTIC(DONG GUAN)CO.,LTD.
康哲電腦配件(吳江)有限公司
 KANG CHE COMPUTER COMPONENTS(WUJIANG) CO.,LTD.

PART NUMBER		ASR-6	SPEC. DWG.	
TITLE				
MATERIAL			COLOR	
NYLON 66(UL) 94V-0			BLACK	
SIZE	SCALE	UNIT	CHECK	
A4	2:1	mm	Z.C	