

Kingtronics®**1N4148WS**Silicon Epitaxial Planar
Switching Diode**FEATURES**

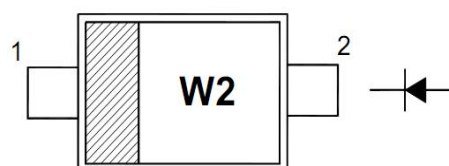
SOD-323 package

Fast switching

These diodes are also available in other case style including the DO-35 case with the type designation 1N4148, the Mini MELF case with the type designation LL4148 and the Micro MELF case with the type designation MCL4148.

PINNING

PIN	DESCRIPTION
1	Cathode
2	Anode



Top View

Marking Code: " W2"

Simplified outline SOD-323 and symbol

Absolute Maximum Ratings (Ta = 25°C)

PARAMETER	SYMBOL	VALUE	UNIT
Peak Reverse Voltage	V_{RM}	100	V
Reverse Voltage	V_R	75	V
Average Rectified Forward Current	$I_F (AV)$	150	mA
Surge Forward Current ($t < 1$ s, $T_j = 25$ °C)	I_{FSM}	350	mA
Power Dissipation	P_{tot}	200	mW
Thermal Resistance from Junction to Ambient Air	$R_{\theta JA}$	625	°C/W
Junction Temperature	T_j	150	°C
Storage Temperature Range	T_{stg}	- 65 to + 150	°C

Electrical Characteristics (Ta = 25°C)

PARAMETER	SYMBOL	VALUE	UNIT
Forward Voltage at $I_F = 10$ mA	V_F	1	V
Reverse Current			
at $V_R = 20$ V	I_R	25	nA
at $V_R = 75$ V		5	μA
at $V_R = 20$ V, $T_j = 150$ °C		50	μA
Total Capacitance at $V_R = 0$ V, $f = 1$ MHz	C_{tot}	4	pF
Reverse Recovery Time at $I_F = 10$ mA to $I_R = 1$ mA, $V_R = 6$ V, $R_L = 100$ Ω	t_{rr}	4	ns

Kingtronics® International CompanyWebsite: www.kingtronics.comEmail: info@kingtronics.com

Tel: (852) 8106 7033

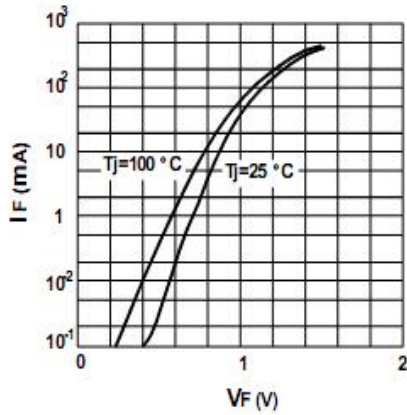
Fax: (852) 8106 7099

Kingtronics®

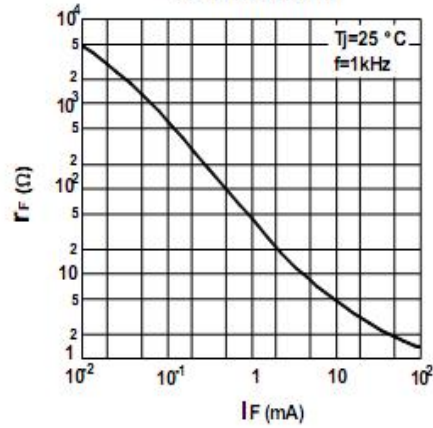
1N4148WS

Silicon Epitaxial Planar
Switching Diode

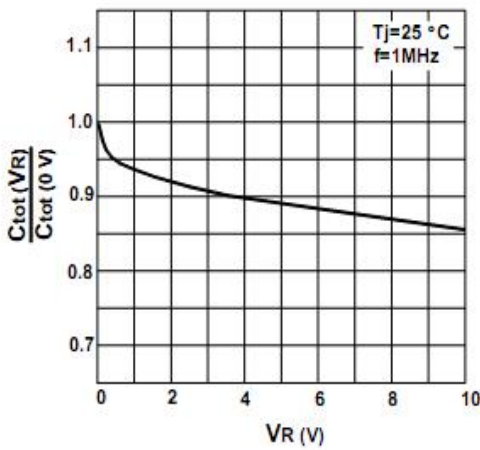
Forward characteristics



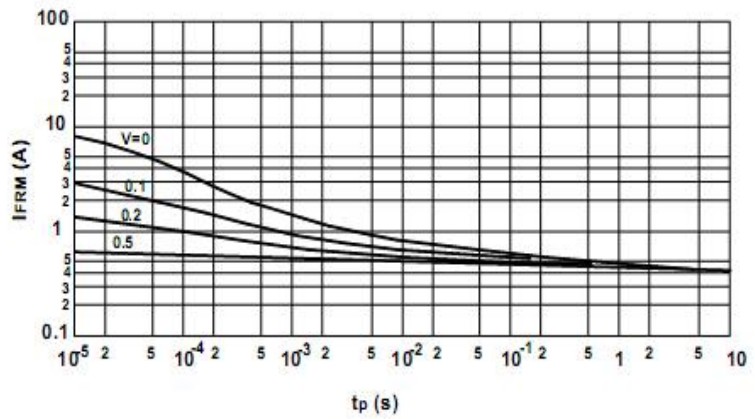
Dynamic forward resistance vs. forward current



Reverse capacitance vs. reverse voltage



Ammissible repetitive peak forward current vs. pulse duration



Kingtronics® International Company

Kingtronics®

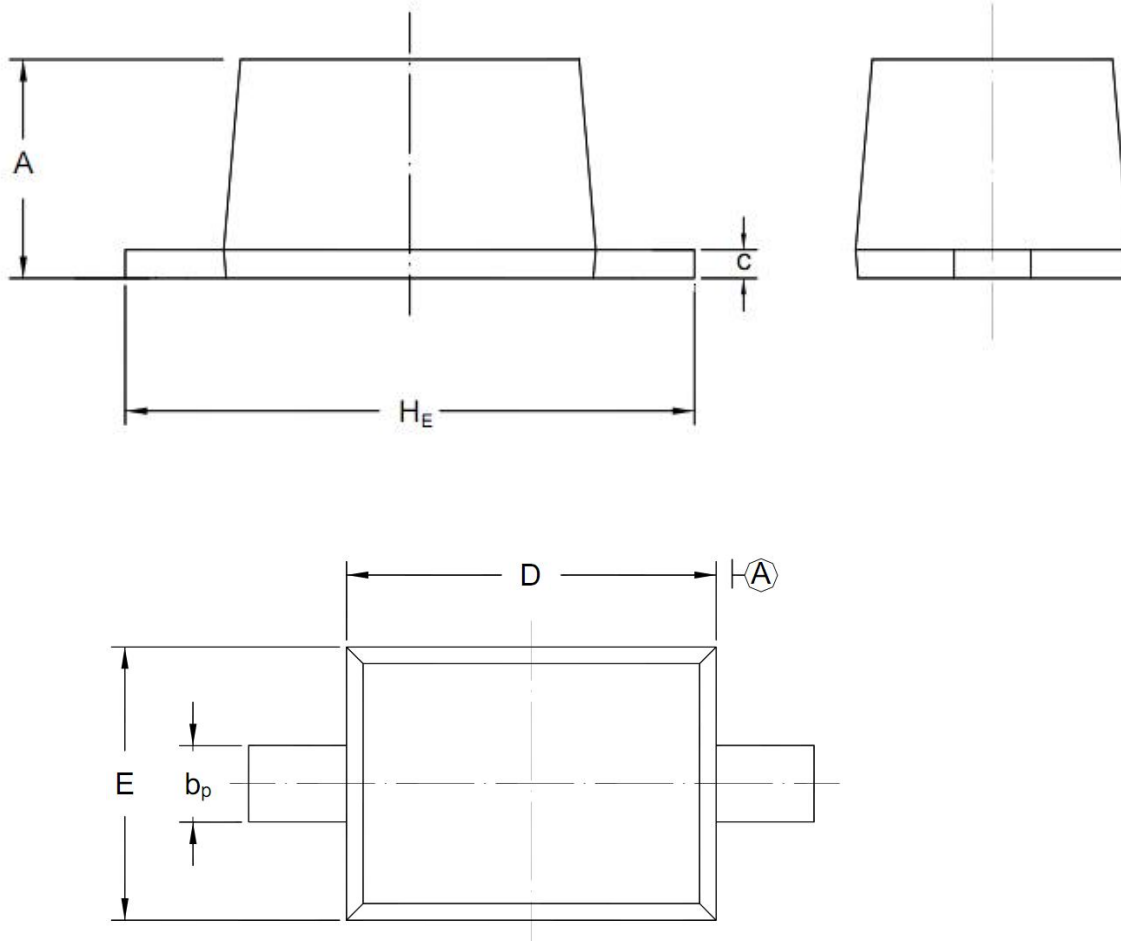
1N4148WS

Silicon Epitaxial Planar
Switching Diode

PACKAGE OUTLINE

Plastic surface mounted package; 2 leads

SOD-323



UNIT	A	b _p	C	D	E	H _E
mm	1.10 0.80	0.40 0.25	0.15 0.10	1.80 1.60	1.35 1.15	2.80 2.30

Note: Specifications are subject to change without notice.

Kingtronics® International Company

Website: www.kingtronics.com Email: info@kingtronics.com Tel: (852) 8106 7033 Fax: (852) 8106 7099