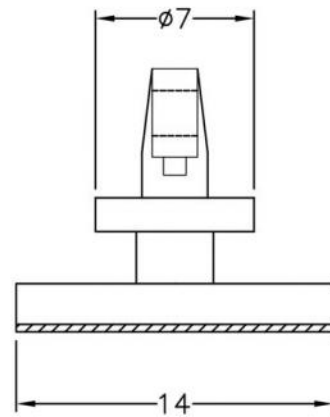
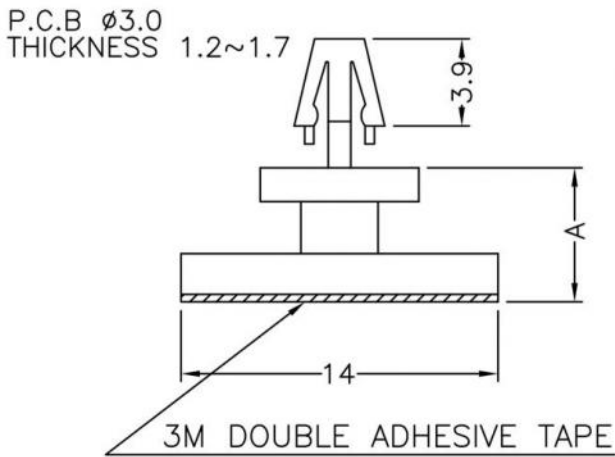


WEBSITE PHOTOS

⚠ This dwg is for reference only, Actual dwg should be based on formal engineering dwg issued by Kang Yang.



A
6.4

Height include adhesive tape , not include release paper.



康揚企業股份有限公司
KANG YANG HARDWARE ENTERPRISE CO., LTD.
康揚塑膠(東莞)有限公司
KANG YANG PLASTIC(DONG GUAN)CO.,LTD.
康哲電腦配件(吳江)有限公司
KANG CHE COMPUTER COMPONENTS(WUJIANG) CO.,LTD.

PART NUMBER		BSS-6	SPEC. DWG.	
TITLE				
SPACER SUPPORT				
MATERIAL		NYLON 66(UL) 94V-2	COLOR	
			NATURAL	
SIZE	SCALE	UNIT	CHECK	
A4	2:1	mm	Z.C	