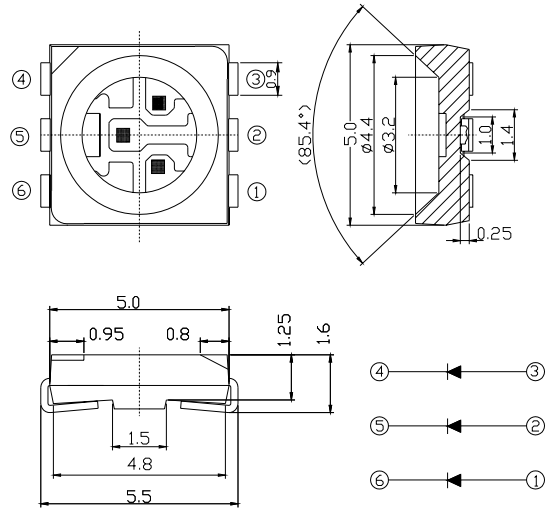


GNL-5050xx (5.0X5.0mm TOP TYPE)

ABSOLUTE MAXIMUM RATING:(Ta=25°C)

Parameter	Symbol	Max	Unit
DC Forward Current	I_F	60	mA
Reverse Voltage	V_R	6	V
Reverse Current (Vr=5V)	I_R	10	μ A
Peak Forward Current ,tw ,=1 msec Duty ,=1/20	I_{FP}	100	mA
Operation Temperature	T_{opr}	-20-80	°C
Storage Temperature	T_{stg}	-40-80	°C
Solder Dip (10seconds,1.6mm from body) Temperature		260	°C

Package Dimensions



Notes:

1. All dimension units are millimeters.
2. All dimension tolerance is ± 0.2 mm unless otherwise noted.

Part Number	EMITTED COLOR		Peak Wavelength (nm)	Vf (v) Typ	If (mA) Typ	CRI (Ra)	Power (W)	IV (If=60mA) mcd		View Angle 2 θ 1/2
								Min.	Max.	
GNL-5050UWC	INGaN	COLD WITE	5500K-7000K	3.2	60	65	0.2	9lm	11lm	120°
GNL-5050UWC-Y	INGaN	WRAM WITE	2800K-3200K	3.2	60	65	0.2	9lm	11lm	120°
GNL-5050UEC	AlGaInP	RED	620	2.2	60	/	0.2	500	700	120°
GNL-5050UYC	AlGaInP	YELLOW	590	2.2	60	/	0.2	200	1000	120°
GNL-5050UBC	INGaN	BULE	460	3.2	60	/	0.2	300	1000	120°
GNL-5050PGC	INGaN	GREEN	520	3.2	60	/	0.2	1500	3500	120°