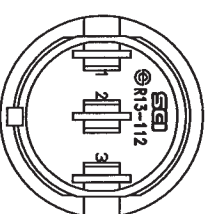
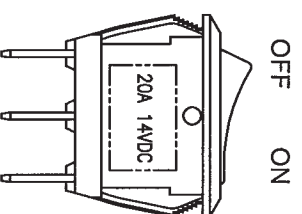
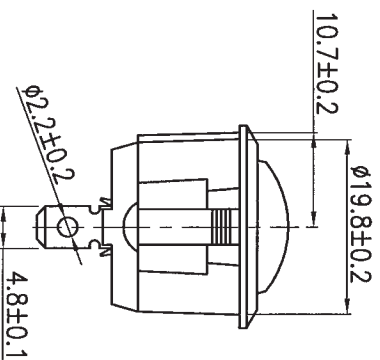
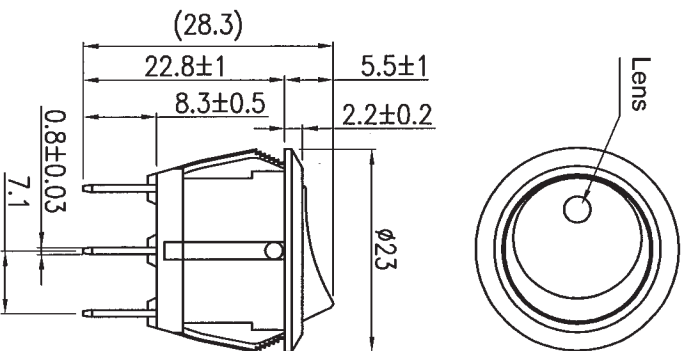
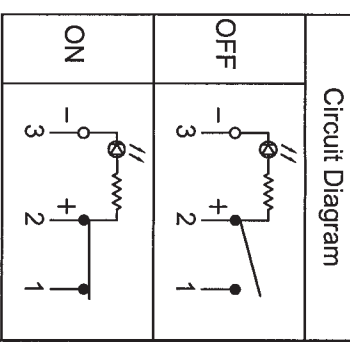


Rating	20A 14VDC	Mounting Hole	
Contact Resistance	50m ohm Max.		
Insulation Resistance	DC 500V 100M ohm Min.		
Dielectric Strength	AC 1500V 1 minute		
Operation Temperature	-25°C~85°C		
Switch Function	3P SPST ON-OFF (LED dependent)		

Material:  
 Frame: Nylon#66, Black  
 Actuator: Nylon#66, Black  
 Lens: PC, Red clear  
 Printed: None



Tolerances ±0.3 Unless Otherwise Specified

06/29/16	曹盈芳	依實物增加SCI LOGO和更新本體刻字							
Date	Name	Description		No.					
Drawn	Checked	Approved	SCI BOM No.	1821255	Model Name	ROCKER SWITCH			
曹盈芳			Customer No.		Model No.	R13-112B2-02	Rev.		
06/29/16			Unit	mm	Shin Chin Industrial Co., Ltd.			1	