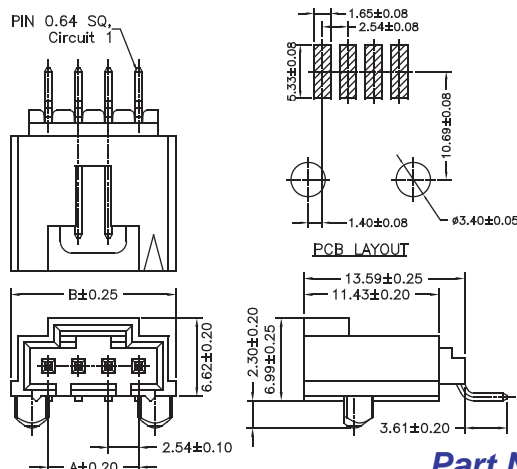


## 2.54mm Mini Latch Wafer SMT R/A / Right Angle / Straight Type

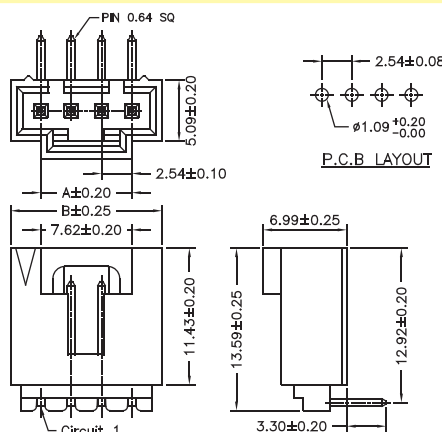
Specifications  
 Current Rating: 3A AC,DC  
 Voltage Rating: 250V AC,DC  
 Temperature Range: -25°C to +85°C  
 Contact Resistance: 20mΩ Max  
 Insulation Resistance: 1000MΩ Min  
 Withstanding Voltage: 1500V AC/minute  
 Terminal: Brass / Gold Plated  
 Material: 2545MR: Nylon 6T, UL94V0  
 other: P.B.T, UL94V0

No. of Contacts	Dimensions		No. of Contacts	Dimensions	
	A	B		A	B
2	2.54	7.59	8	17.78	22.83
3	5.08	10.13	9	20.32	25.37
4	7.62	12.67	10	22.86	27.91
5	10.16	15.21	11	25.40	30.45
6	12.70	17.75	12	27.94	32.99
7	15.24	20.29			



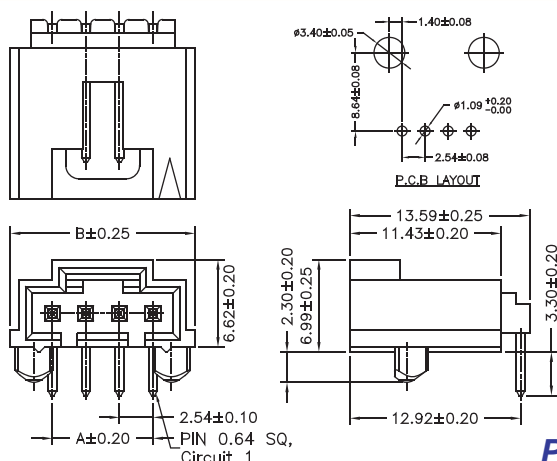
Part No.:2545MR-XXGB-U

No. of Contacts	Dimensions	
	A	B
2	2.54	7.59
3	5.08	10.13
4	7.62	12.67
5	10.16	15.21
6	12.70	17.75
7	15.24	20.29
8	17.78	22.83
9	20.32	25.37
10	22.86	27.91
11	25.40	30.45
12	27.94	32.99



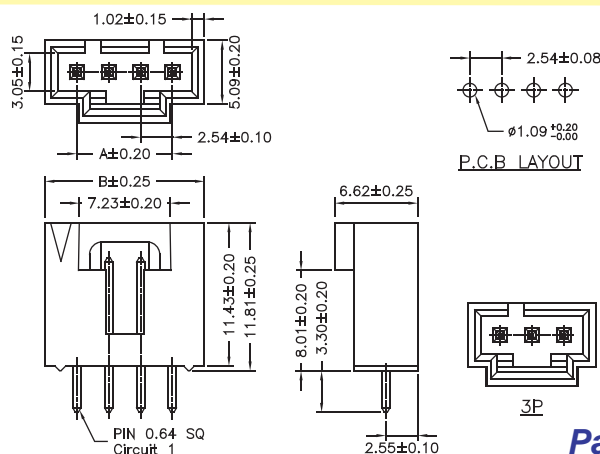
Part No.:2545R-XXGB-L

No. of Contacts	Dimensions	
	A	B
2	2.54	8.89
3	5.08	11.43
4	7.62	13.97
5	10.16	16.51
6	12.70	19.05
7	15.24	21.59
8	17.78	24.13
9	20.32	26.67
10	22.86	29.21
11	25.40	31.75
12	27.94	34.29



Part No.:2545R-XXGB1-L

No. of Contacts	Dimensions	
	A	B
3	5.08	10.17
4	7.62	12.71
5	10.16	15.25
6	12.70	17.79
7	15.24	20.33
8	17.78	22.87
9	20.32	25.41
10	22.86	27.95
11	25.40	30.49
12	27.94	33.03



Part No.:2545S-XXGB-L