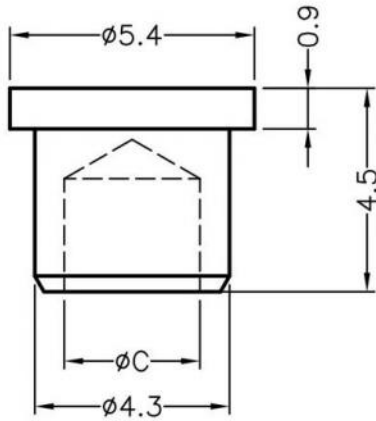
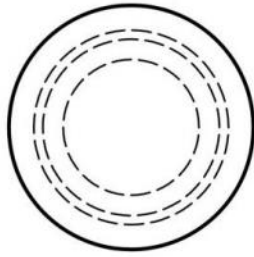


WEBSITE PHOTOS

⚠ This dwg is for reference only, Actual dwg should be based on formal engineering dwg issued by Kang Yang.



C
Ø3.0



ISO 9001  
ISO 14001  
QC 080001

康揚企業股份有限公司  
KANG YANG HARDWARE ENTERPRISE CO., LTD.  
康揚塑膠(東莞)有限公司  
KANG YANG PLASTIC(DONG GUAN) CO., LTD.  
康哲電腦配件(吳江)有限公司  
KANG CHE COMPUTER COMPONENTS(WUJIANG) CO., LTD.

PART NUMBER		LEM-33		SPEC. DWG.	
TITLE					
LIGHT PIPE					
MATERIAL			COLOR		
PC(UL) 94V-2			TRANSPARENT		
SIZE	SCALE	UNIT	CHECK		
A4	2:1	mm	Z.C		