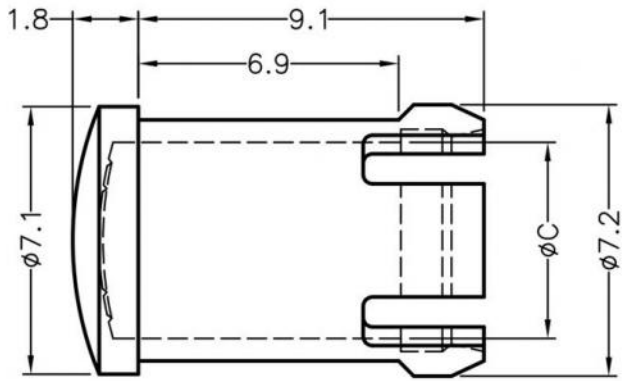


WEBSITE PHOTOS

⚠ This dwg is for reference only, Actual dwg should be based on formal engineering dwg issued by Kang Yang.



CHASSIS Ø6.4  
THICKNESS 0.8~6.35

C
Ø5.1


 康揚企業股份有限公司  
 KANG YANG HARDWARE ENTERPRISE CO., LTD.  
 康揚塑膠(東莞)有限公司  
 KANG YANG PLASTIC(DONG GUAN) CO., LTD.  
 ISO 9001 康哲電腦配件(吳江)有限公司  
 ISO 14001 KANG CHE COMPUTER COMPONENTS(WUJIANG) CO., LTD.  
 QC 080000

PART NUMBER		LC5-1	SPEC. DWG.	
TITLE		LENS CAP		
MATERIAL		PC(UL) 94V-2	COLOR	
			CLEAR	
SIZE	SCALE	UNIT	CHECK	
A4	2:1	mm	Z.C	