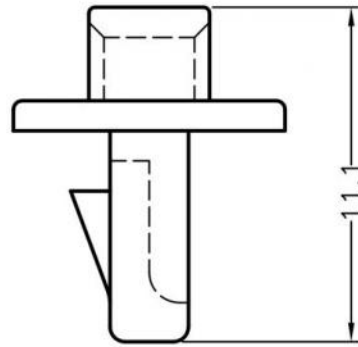
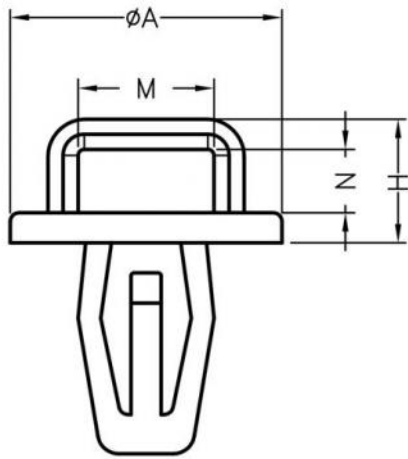


WEBSITE PHOTOS

⚠ This dwg is for reference only, Actual dwg should be based on formal engineering dwg issued by Kang Yang.



HOLE :ØG
THICKNESS: T

A	G	H	M	N	T
Ø9.0	Ø4.0	4.1	4.5	2.1	1.6~2.0

G	MOUNTING HOLE
T	CHASSIS THICKNESS

1.It is normal if it is shrinking.
2.All measurement does not include gate which raises under 0.3mm.



ISO 9001
ISO 14001
QC 080000

康揚企業股份有限公司
KANG YANG HARDWARE ENTERPRISE CO., LTD.
康揚塑膠(東莞)有限公司
KANG YANG PLASTIC(DONG GUAN)CO.,LTD.
康哲電腦配件(吳江)有限公司
KANG CHE COMPUTER COMPONENTS(WUJIANG) CO.,LTD.

PART NUMBER		CCMT-2	SPEC. DWG.	
TITLE				
CABLE TIE MOUNT				
MATERIAL		NYLON 66(UL) 94V-2	COLOR	
			NATURAL	
SIZE	SCALE	UNIT	CHECK	
A4	2:1	mm	Z.C	