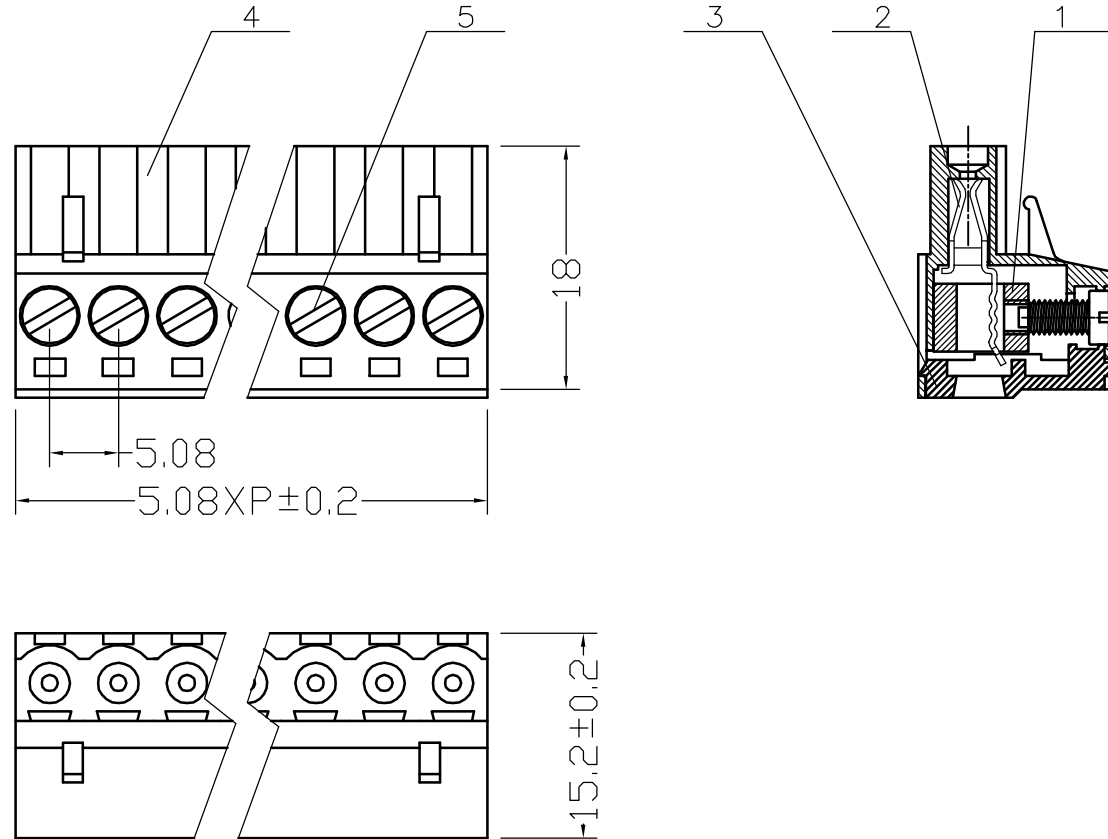


序号/RevNo.	名称/Title	文件编号/File No.
1	XY2500F铜方块	
2	XY2500F端子	
3	XY2500F-B塑件后塞	
4	XY2500F-B塑件	
5	XY103螺丝	



250V 12A 2.5mm

Poles: 2P/3P/4P/5P/6P/7P  
 8P/9P/10P/11P/12P/  
 13P/14P/15P/16P/17P  
 18P/19P/20P/21P/22P  
 23P/24P


Pitch: 5.08mm&10.16mm

### Materials

Housing: Polyamide 6.6, Green  
 Clamp: Phosphor Bronze, 0.4t, Nickel Plated.  
 Wire Cage: Brass, 0.7t, Nickel Plated.  
 Screw: M2.5, Steel, Zinc Plated.

### Note:

1. Operating Temperature: -40-120°
2. ROHS COMPLAINT

设计/Designed by	绘图/Drawing by	审核/Checked by	批准/Approved by	未注公差 General Tolerance	
				x. ±0.2	x.' ±2'
				.x ±0.1	.x' ±1'
				.xx ±0.05	.xx' ±0.5'
				.xxx ±0.01	
				图名/Title	
				XY2500F-B 产品图	
				文件编号/File No.	
				页序/Sheet	
备注/Remark				单位/Units: mm	

序号/RevNo.	更改记录/Revision note	签名/Signature	日期/Date