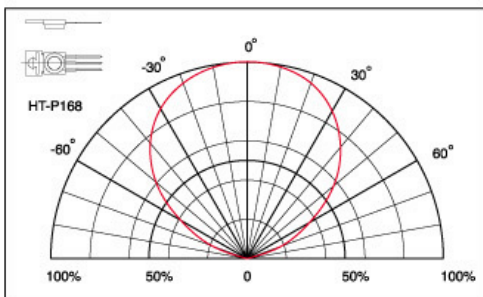
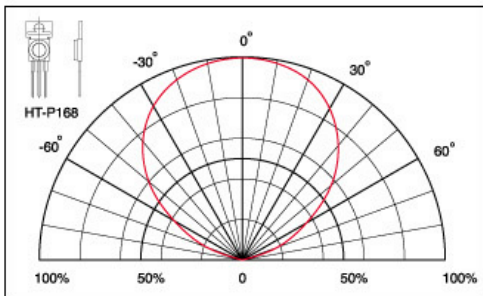


Characters

- 1W High Power LED
- DIP Type
- Lambertian



Directive Characteristics



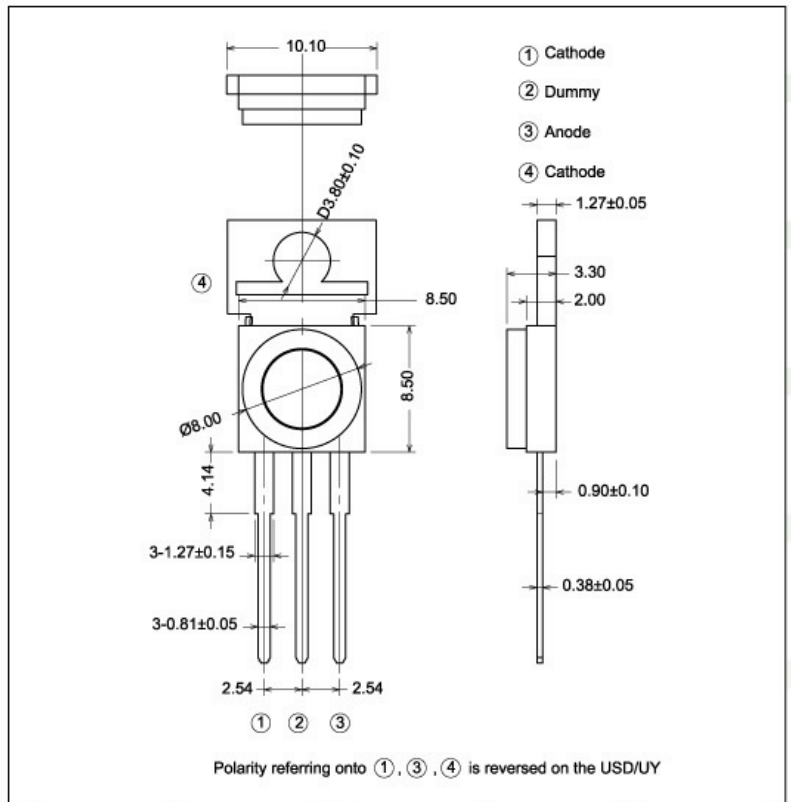
Absolute Maximum Ratings

Item	Symbol	Value		Unit
		InGaN	AlGaNIP	
Power Dissipation	P_D	1.5	1.1	W
DC Forward Current	I_F	350	350	mA
Pulsed Forward Current	I_{FP} *	500	400	mA
Reverse Voltage ($I_R = 100\mu A$)	V_R	5		V
Operating Temperature	T_{OP}	-20 to 70		°C
Storage Temperature	T_{ST}	-40 to 85		°C

*Condition for I_{FP} is pulse of 1/10 duty and 0.1 msec width

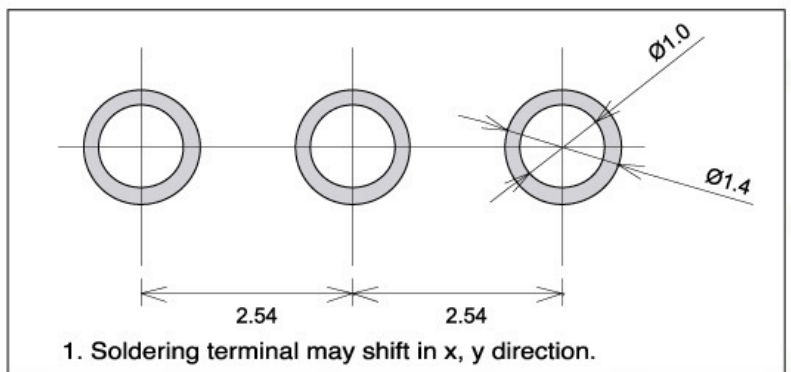
Package Outline Dimensions

(Unit: mm Tolerance: +/-0.1)



Recommended Soldering Pattern

(Unit:mm)



($T_a = 25^\circ C$)

Electrical-Optical Characteristics

Code for parts	Lighting Color	Material	I _F (mA)	V _F (V)		λ (nm)			(lm)	
				typ	max	λ _D	λ _P	Δλ	min	typ
HT-P168NG	Green	InGaN	350	3.4	4.2	525	523	50	10	25
HT-P168NB	Blue	InGaN	350	3.4	4.2	470	470	50	3	5
HT-P168USD	Red	AlGaInP	350	2.1	3.2	625	625	30	12	17
HT-P168UY	Amber	AlGaInP	350	2.1	3.2	592	592	30	12	17

Code for parts	Lighting Color	Material	I _F (mA)	V _F (V)		Color Temperature			(lm)	
				typ	max	min	typ	max	min	typ
HT-P168TW	White	InGaN	350	3.4	4.2	3000	--	9000	20	30

* Per NIST standards

