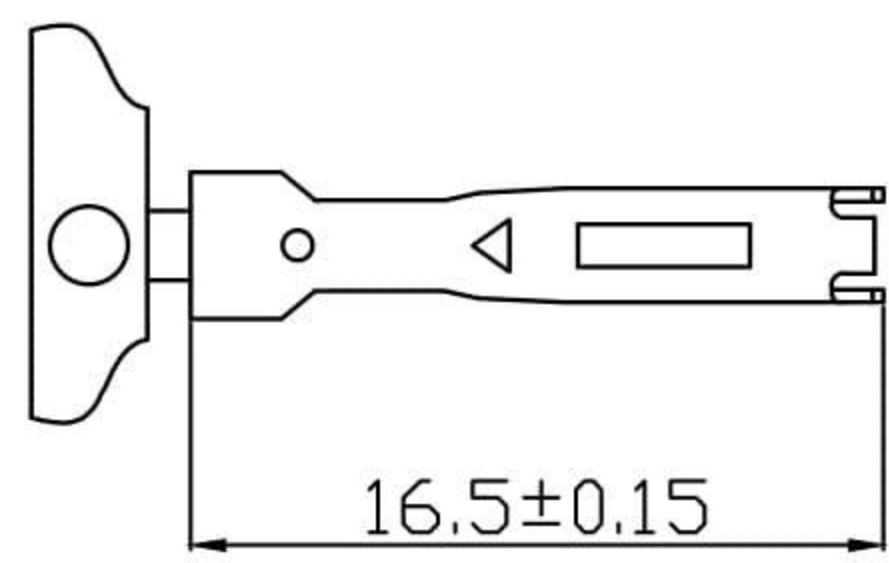
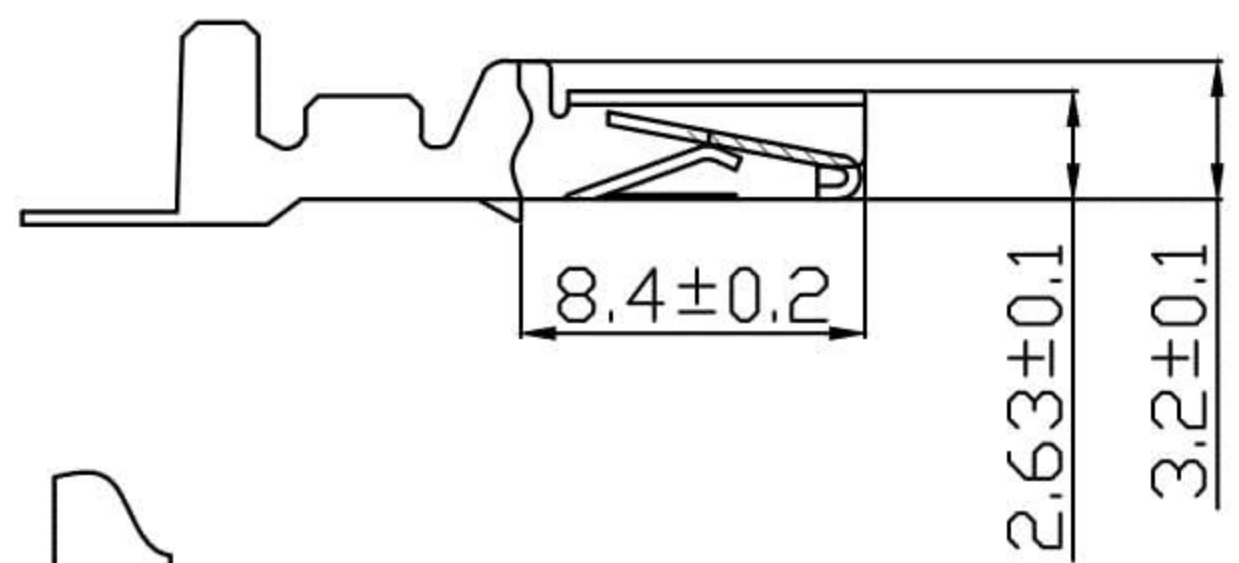
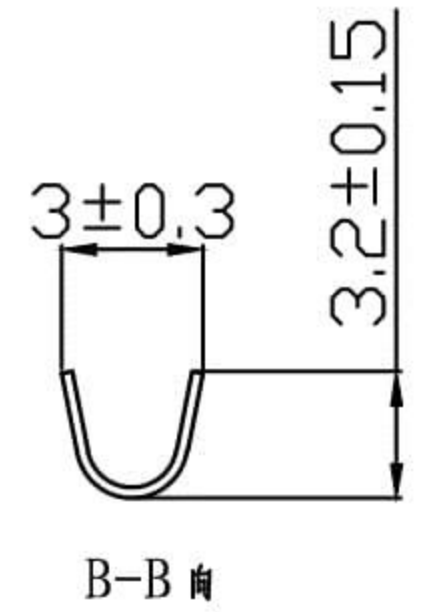
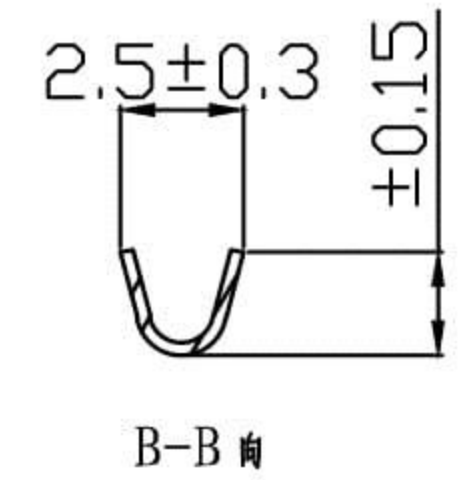
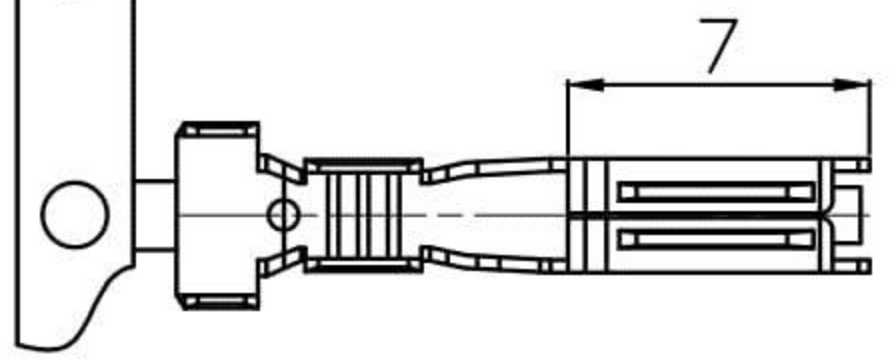
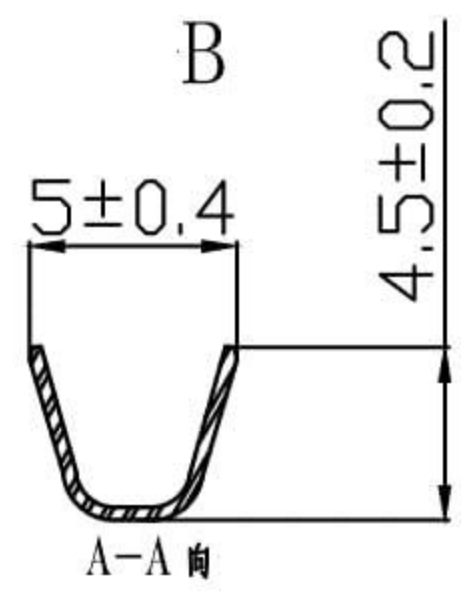
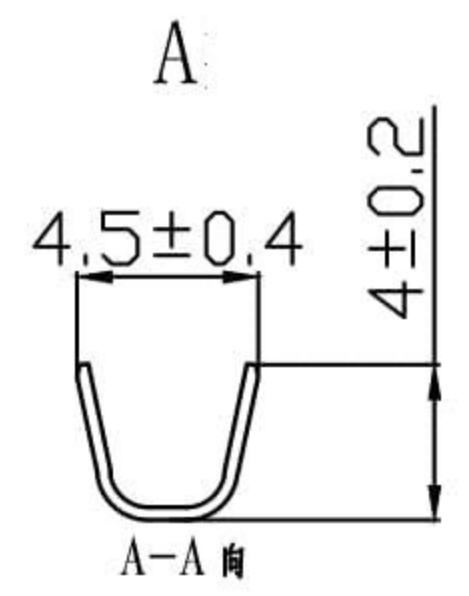
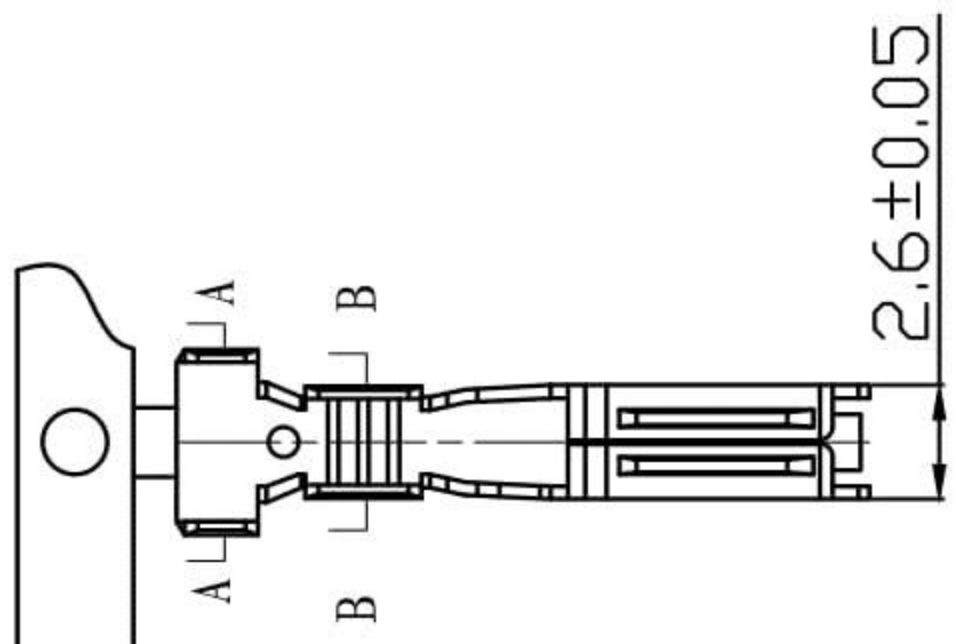



15 14 13 12 11 10 9 8 7 6 5 4 3 2 1

M  
L  
K  
J  
H  
G  
F  
E  
D  
C  
B  
A

M  
L  
K  
J  
H  
G  
F  
E  
D  
C  
B  
A



1		Phos. Bronze							
<b>183025-1-C</b>									
X.° ±3°		X. X° ±0.5°				Design Units	SIZE		
>0~3	>3~18	>18~50	>50~120						
±0.12	±0.15	±0.3	±0.5	MM Only	—	METRIC	A4		
								Part No	
									

15 14 13 12 11 10 9 8 7 6 5 4 3 2 1