

This document is the property of Amphenol Corporation and is delivered on the express condition that is not to be disclosed, reproduced or used, in whole or in part, for manufacture or sale by anyone other than Amphenol Corporation without its prior consent, and that no right is granted to disclose or to use any information in this document.

The marking on this product doesn't contain environmental hazardous materials per Material Specification 55-00259 for Sony GP compliant or per directive 2002/95/EC for RoHS compliant.



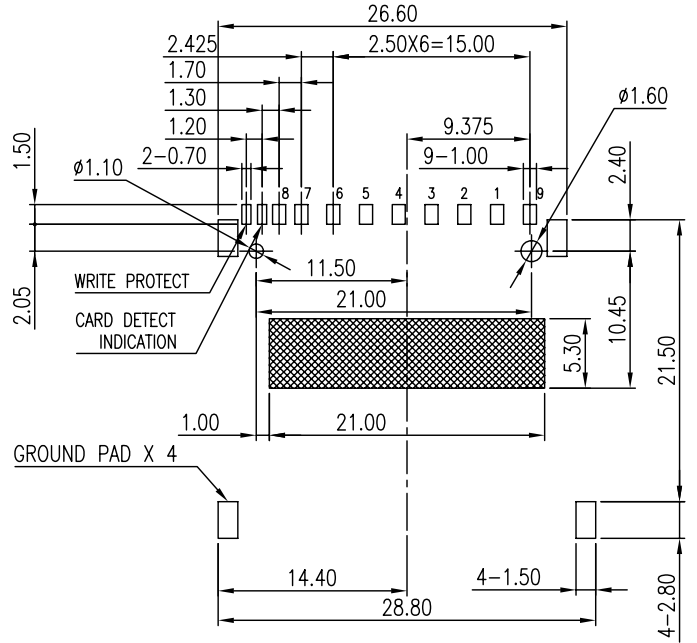
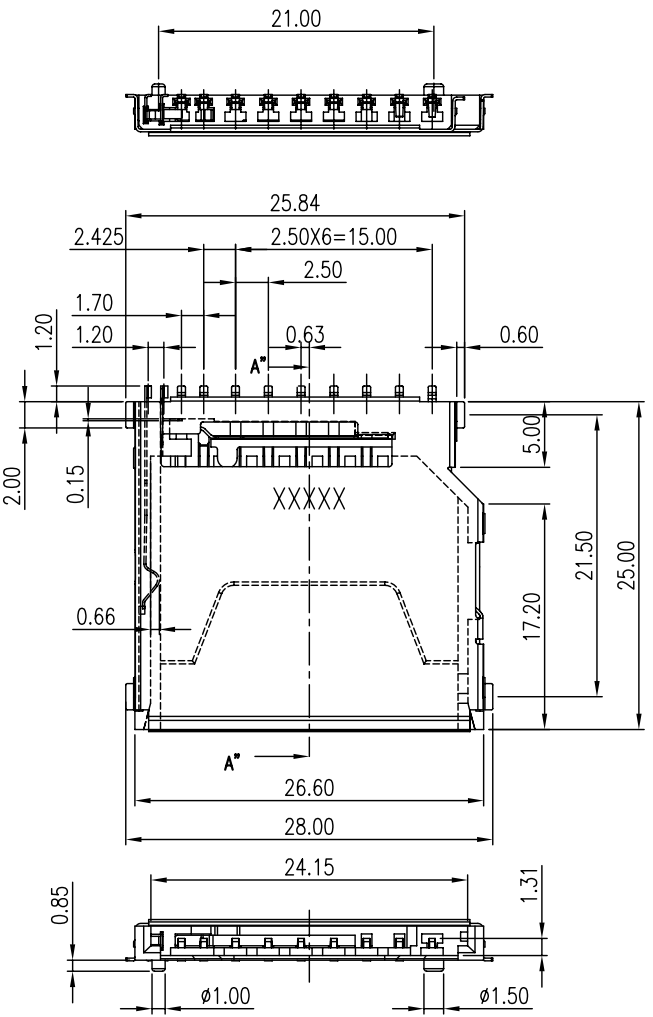
ORIGINAL



REVISIONS				
SYM	ECN No.	DESCRIPTION	DATE	APPROVED
A		NEW RELEASE	03/19/2008	Hank Hsu
B	NE-09125	ADD KEEP OUT AREA	07/20/2009	Roger Tsai

SD CARD

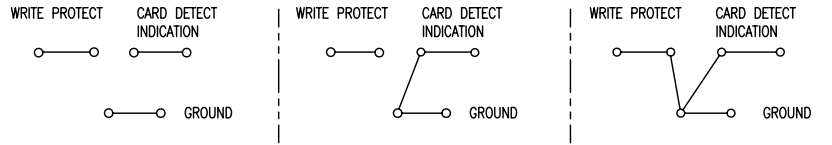
PIN#	NAME	DESCRIPTION
1	CD/DAT3	CARD DETECT/DATA LINE BIT3
2	CMD	COMMAND/RESPONSE
3	VSS1	SUPPLY VOLTAGE GROUND
4	VDD1	SUPPLY VOLTAGE
5	CLK	CLOCK
6	VSS2	SUPPLY VOLTAGE GROUND
7	DATO	DATA LINE BIT0
8	DAT1	DATA LINE BIT1
9	DAT2	DATA LINE BIT2



RECOMMENDED PCB LAYOUT

(ALL TOLERANCE ARE ±0.05)

- : RECOMMENDED SOLDER PAD AREA
- : TRACE KEEP OUT AREA



WITHOUT CARD **CARD INSERTED WRITE PROTECT: LOCK** **CARD INSERTED WRITE PROTECT: UNLOCK**

SCHEMATIC

- NOTES:**
- INSULATOR: LCP, UL 94V-0, COLOR- IVORY
 - CONTACT: PHOSPHOR BRONZE, 0.2 MM THICKNESS, SELECTED GOLD PLATING ON CONTACT AREA, 160u" TIN PLATING ON SOLDERING TAIL
 - COVER: STEEL
 - THIS PRODUCT DOESN'T CONTAIN ENVIRONMENTAL HAZARDOUS MATERIAL PER DIRECTIVE 2002/95/EC FOR RoHS.

TOLERANCE	APPROVALS	DATE	TITLE	Amphenol®			
X. ±0.30	DRAWN Roger Tsai	07/20/2009	GSD SERIES SD CARD CONNECTOR SMT TYPE, 9 POSITIONS	Amphenol Corporation Amphenol Taiwan Corporation			
X.X ±0.20	CHECKED Daniel Hsieh	07/20/2009					
X.XX ±0.10	APPROVED Roger Tsai	07/20/2009					
ANGULAR ±1°	DWG TYPE CUST DWG	PROJECT CODE OTHER	UNIT mm	SIZE A3	PART No.	GSD09001XSEU	
UNLESS OTHERWISE SPECIFIED			SCALE NA	SHEET 1 OF 2	DWG No.	GSD09001XSEU	
					REV.	B	

This document is the property of Amphenol Corporation and is delivered on the express condition that is not to be disclosed, reproduced or used, in whole or in part, for manufacture or sale by anyone other than Amphenol Corporation without its prior consent, and that no right is granted to disclose or to use any information in this document.

The marking on this product doesn't contain environmental hazardous materials per Material Specification 55-00259 for Sony GP compliant or per directive 2002/95/EC for RoHS compliant.

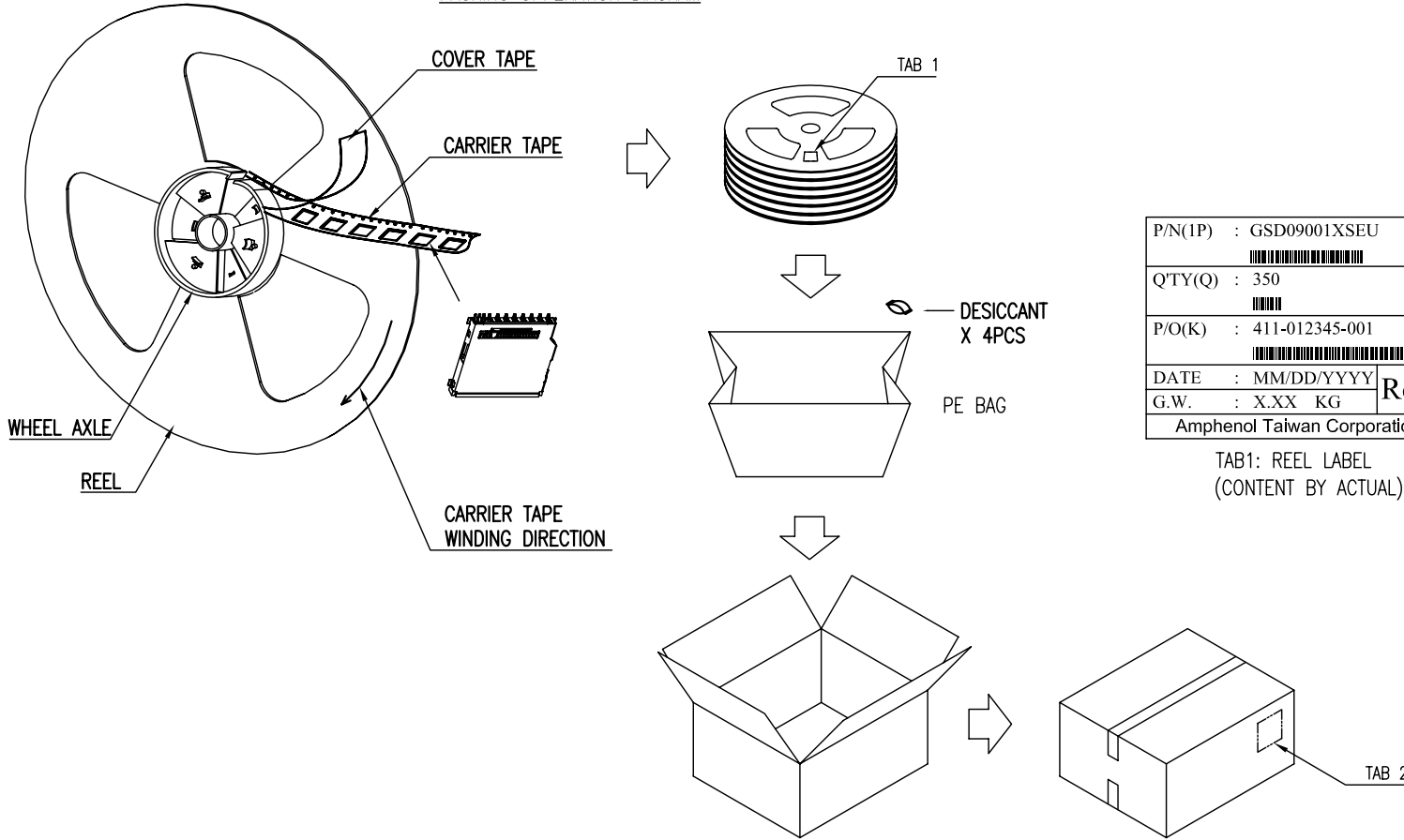


ORIGINAL



REVISIONS				
SYM	ECN No.	DESCRIPTION	DATE	APPROVED
A		NEW RELEASE	03/19/2008	Hank Hsu
B	NE-09125	ADD KEEP OUT AREA	07/20/2009	Roger Tsai

PACKING OPERATION DIAGRAM



P/N(IP) : GSD09001XSEU	RoHS
Q'TY(Q) : 350	
P/O(K) : 411-012345-001	RoHS
DATE : MM/DD/YYYY	
G.W. : X.XX KG	Amphenol Taiwan Corporation

TAB1: REEL LABEL
(CONTENT BY ACTUAL)

P/N(IP) : GSD09001XSEU	RoHS
Q'TY(Q) : 2100	
P/O(K) : 411-012345-001	RoHS
DATE : MM/DD/YYYY	
G.W. : X.XX KG	Amphenol Taiwan Corporation

TAB2: CARTON LABEL
(CONTENT BY ACTUAL)

- NOTES:
- MATERIAL: BLACK ANTI-STATIC POLYSTYRENE.
 - QUANTITY:
 - 350 PCS/13" REEL
 - 6 REELS/CARTON
 - 2100 PCS/CARTON
 - CARTON MUST BE SEALED IN PAPER-TAPE.
 - IF ODD, MUST CLOG UP THE CARTON IN BUFFER MATERIALS.

TOLERANCE	APPROVALS	DATE	TITLE		PART No.	
X. ±0.30	DRAWN Roger Tsai	07/20/2009	GSD SERIES SD CARD CONNECTOR SMT TYPE, 9 POSITIONS		Amphenol® Amphenol Corporation Amphenol Taiwan Corporation	
X.X ±0.20	CHECKED Daniel Hsieh	07/20/2009				
X.XX ±0.10	APPROVED Roger Tsai	07/20/2009			GSD09001XSEU	
ANGULAR ±1°	DWG TYPE CUST DWG	PROJECT CODE OTHER			UNIT mm	SIZE A3
UNLESS OTHERWISE SPECIFIED			SCALE NA	SHEET 2 OF 2	GSD09001XSEU	