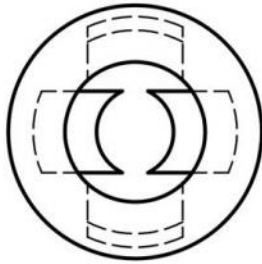
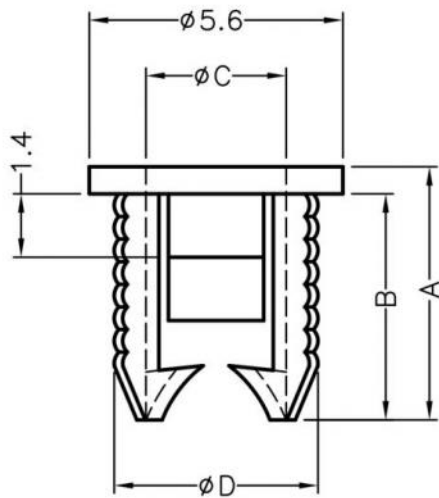


⚠ This dwg is for reference only, Actual dwg should be based on formal engineering dwg issued by Kang Yang.



MOUNTING HOLE $\phi 4.5$
CHASSIS THICKNESS 0.8~1.2



A	B	C	D	L	P
5.6	5.0	$\phi 3.1$	4.4	3.0	1

L	Recommend Assembling LED Size
P	Number of Assembling LED

PART NUMBER		LED3-1	SPEC. DWG.	
TITLE				
LED HOLDER				
MATERIAL		NYLON 66(UL) 94V-2	COLOR	
			BLACK	
SIZE	A4	SCALE	2:1	UNIT
			mm	CHECK
				Z.C