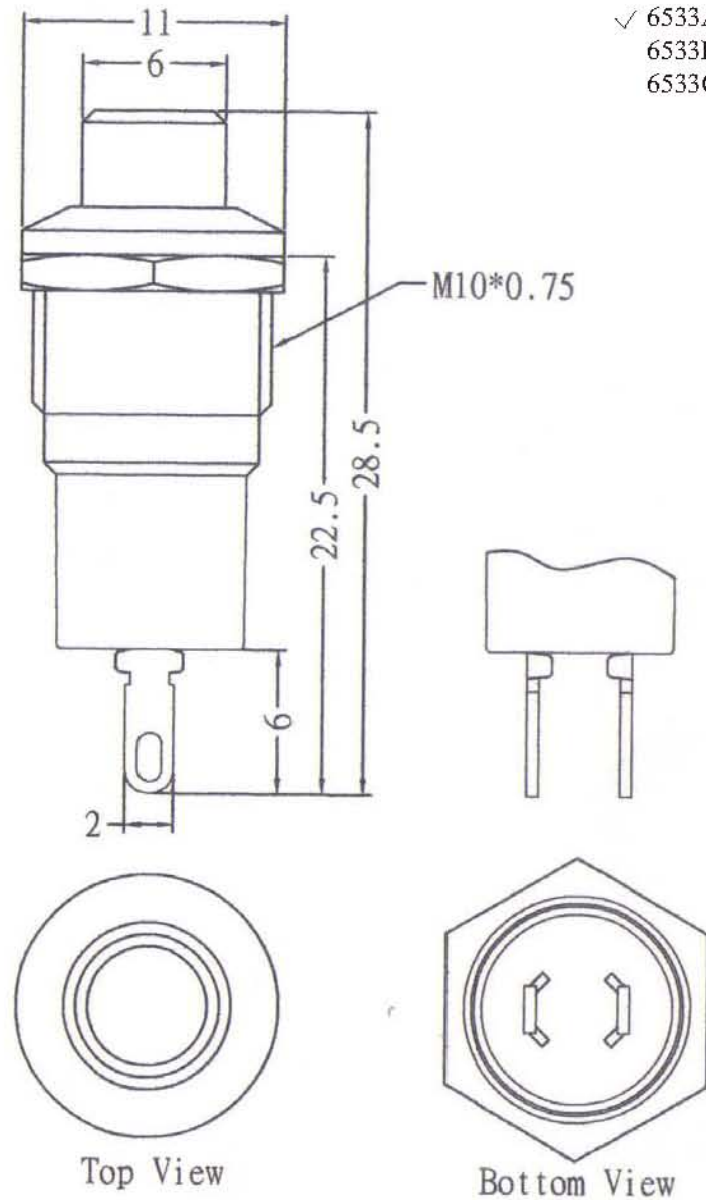
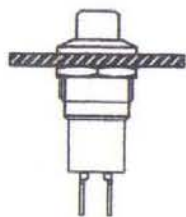
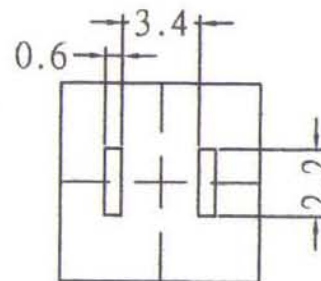
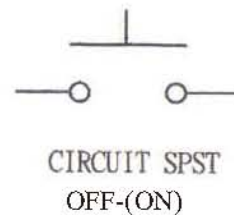


1. Electrical rating: 1A 125V AC / 0.5A 250V AC
2. Circuit: 2P (SPST)
3. Function: PUSH ON
4. Contact Resistance: 2.5V DC 10mΩ or less
5. Insulation Resistance: 500V DC 100MΩ or More
6. Voltage Breakdown: 1000V AC 1min
7. Electrical life: 100000 cycles
8. Temperature rise at the terminal: Max. 30°C
9. Solder ability of terminal: Max. 300°C 3 Sec
10. Mtg. Hole Dial mm: 10 \varnothing mm

- ✓ 6533A: OFF-(ON)
- 6533B: ON-OFF
- 6533C: ON-(OFF)



Button Color
Black
White
Red



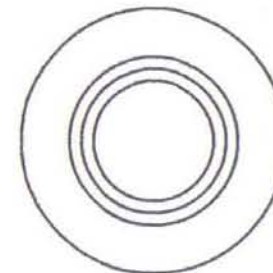
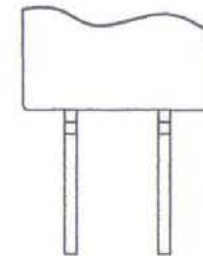
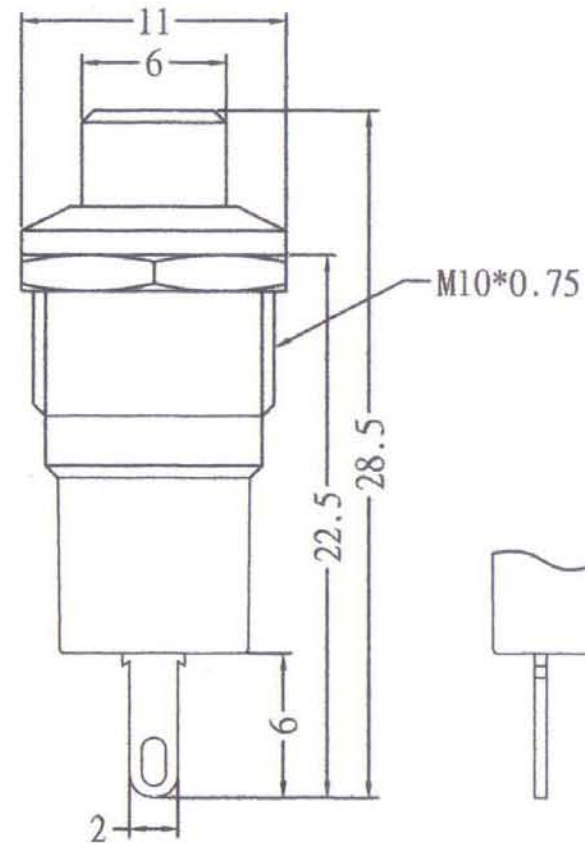
Installation

PCB MOUNTING

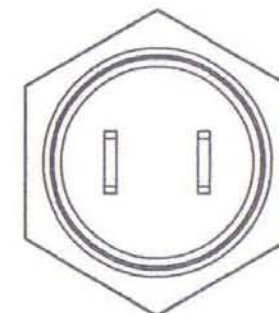
同利企業有限公司 TELE LONG ENTERPRISE CO.,LTD.	SCALE	3:1	DIM	mm
	DWN. BY	CHUN	DATE	2009-8-10
	CHK. BY		APP. BY	
ITEM NO.: 6533A				
DWG NO.: 6533A-TNS58-A1				

1. Electrical rating: 1A 125V AC / 0.5A 250V AC
2. Circuit: 2P (SPST)
3. Function: PUSH ON-OFF
4. Contact Resistance: 2.5V DC 10mΩ or less
5. Insulation Resistance: 500V DC 100MΩ or More
6. Voltage Breakdown: 1000V AC 1min
7. Electrical life: 100000 cycles
8. Temperature rise at the terminal: Max. 30°C
9. Solder ability of terminal: Max. 300°C 3 Sec
10. Mtg. Hole Dia mm: 10 \varnothing mm

- 6533A: OFF-(ON)
- ✓ 6533B: ON-OFF
- 6533C: ON-(OFF)

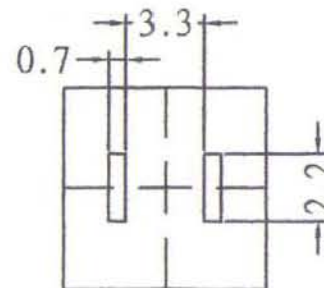
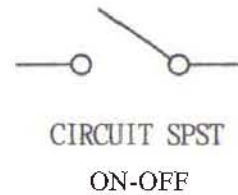


Top View

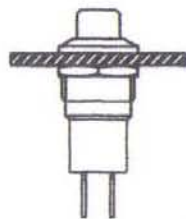


Bottom View

Button Color
Black
White
Red



PCB MOUNTING



Installation

同利企業有限公司
TELE LONG ENTERPRISE CO.,LTD.

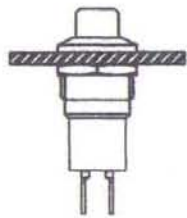
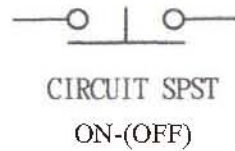
SCALE	3:1	DIM	mm
DWN. BY	CHUN	DATE	2009-8-10
CHK. BY		APP. BY	

ITEM NO.: 6533B

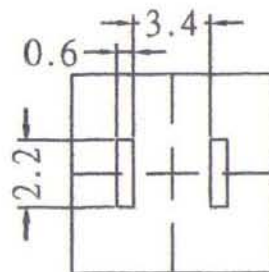
DWG NO.: 6533B-TNS58-A1

1. Electrical rating: 1A 125V AC / 0.5A 250V AC
2. Circuit: 2P (SPST)
3. Function: PUSH OFF
4. Contact Resistance: 2.5V DC 10mΩ or less
5. Insulation Resistance: 500V DC 100MΩ or More
6. Voltage Breakdown: 1000V AC 1min
7. Electrical life: 100000 cycles
8. Temperature rise at the terminal: Max. 30°C
9. Solder ability of terminal: Max. 300°C 3 Sec
10. Mtg. Hole Dial mm: 10 \varnothing mm

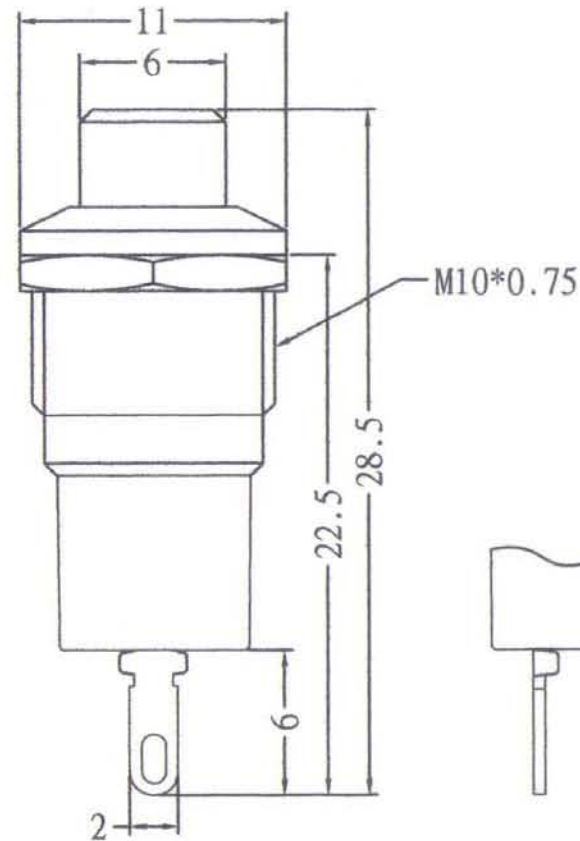
Button Color
Black
White
Red



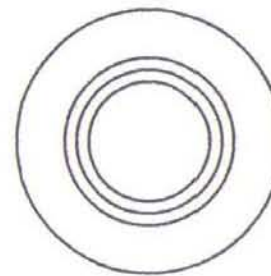
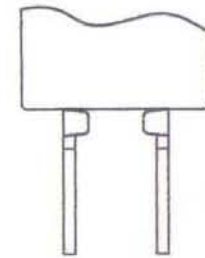
Installation



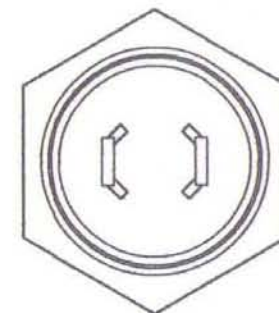
PCB MOUNTING



- 6533A: OFF-(ON)
- 6533B: ON-OFF
- ✓ 6533C: ON-(OFF)

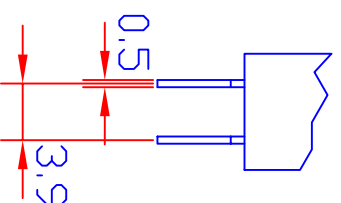
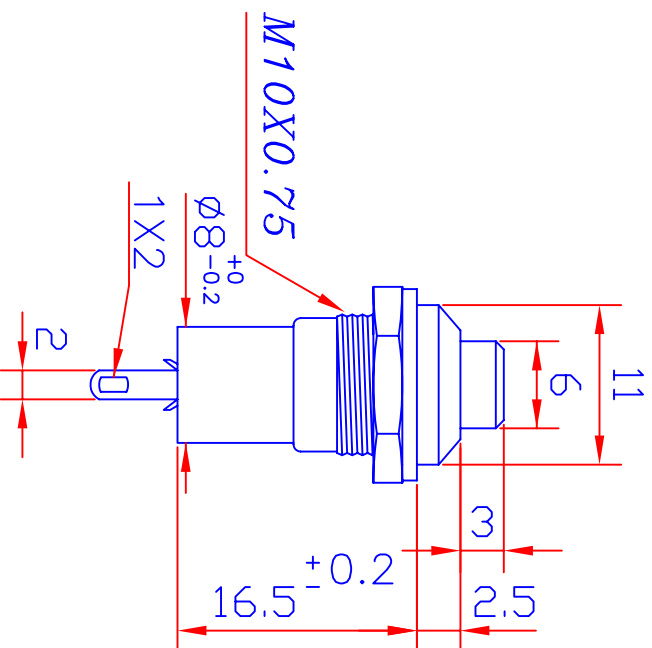
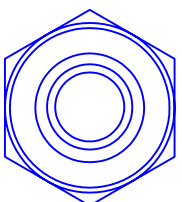


Top View



Bottom View

同利企業有限公司 TELE LONG ENTERPRISE CO.,LTD.	SCALE	3:1	DIM	mm
	DWN.BY	CHUN	DATE	2009-8-10
	CHK.BY		APP.BY	
ITEM NO.: 6533C				
DWG NO.: 6533C-TNS58-A1				



1. Rating : 1A 125V AC/0.5A 250V AC
2. Circuit : 2P(SPST)
3. Function : PUSH ON-OFF
4. Contact Resistance : 2.5V DC 1A 20m ohm or less
5. Insulation Resistance : 500V DC 100M ohm or more
6. Voltage Breakdown : 100V AC 1 min
7. Mtg.Hole Dial min. : $\phi 10\text{mm}$
Mtg.Center min. : (IN CASE PANEL THICK 1~2mm)
8. Button Color : Black/Red

($\phi 10.2$ HOLE)
 A : OFF-(ON)
 B : ON-OFF
 C : ON-(OFF)

UNLESS OTHERWISE SPECIFIED
 GENERAL TOLERANCES
 0.5~6 = ± 0.2
 >6~30 = ± 0.4
 >30~120 = ± 0.6

NO.	DESCRIPTION	QTY	MATERIAL	SPECIFICATION	REMARK
DRAW BY	周佩君	012808	2 : 1	PROJ	ITEM NO. 6533
DEGN BY					PUSH BUTTON SWITCH
APPD BY			MM		

同利企業有限公司

TELE LONG ENTERPRISE CO.,LTD

DATE	DRAWG BY	REVISED
------	----------	---------

DRAWING NO.	6533-TNS58-A
-------------	--------------