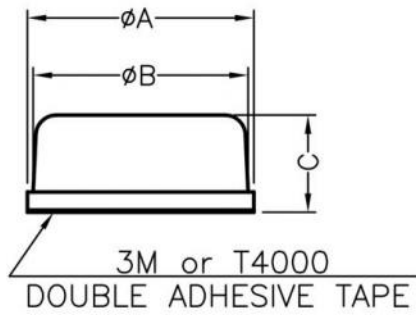


WEBSITE PHOTOS

⚠ This dwg is for reference only, Actual dwg should be based on formal engineering dwg issued by Kang Yang.



A	B	C
12.0	11.2	5.1

Height include adhesive tape , not include release paper.


康揚企業股份有限公司
 KANG YANG HARDWARE ENTERPRISE CO., LTD.
康揚塑膠(東莞)有限公司
 KANG YANG PLASTIC(DONG GUAN)CO.,LTD.
康哲電腦配件(吳江)有限公司
 KANG CHE COMPUTER COMPONENTS(WUJIANG) CO.,LTD.

PART NUMBER		RF-015	SPEC. DWG.	
TITLE				
RUBBER FOOT				
MATERIAL		EPDM	COLOR	BLACK
SIZE	A4	SCALE	2:1	UNIT
			mm	CHECK
				Z.C