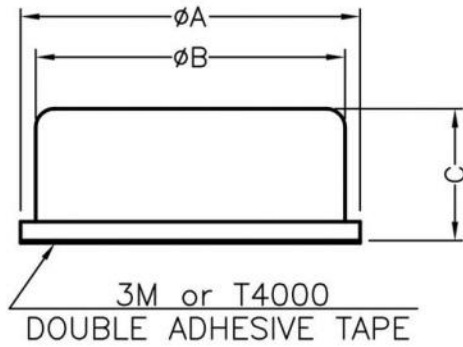


WEBSITE PHOTOS

⚠ This dwg is for reference only, Actual dwg should be based on formal engineering dwg issued by Kang Yang.



A	B	C
15.4	14.8	5.1

Height include adhesive tape , not include release paper.


**康揚企業股份有限公司**  
 KANG YANG HARDWARE ENTERPRISE CO., LTD.  
**康揚塑膠(東莞)有限公司**  
 KANG YANG PLASTIC(DONG GUAN )CO.,LTD.  
**康哲電腦配件(吳江)有限公司**  
 KANG CHE COMPUTER COMPONENTS(WUJIANG) CO.,LTD.

PART NUMBER		RF15.5-5A	SPEC. DWG.		
TITLE		RUBBER FOOT			
MATERIAL		RUBBER	COLOR	BLACK	
SIZE	A4	SCALE	2:1	UNIT	mm
CHECK		Z.C			