

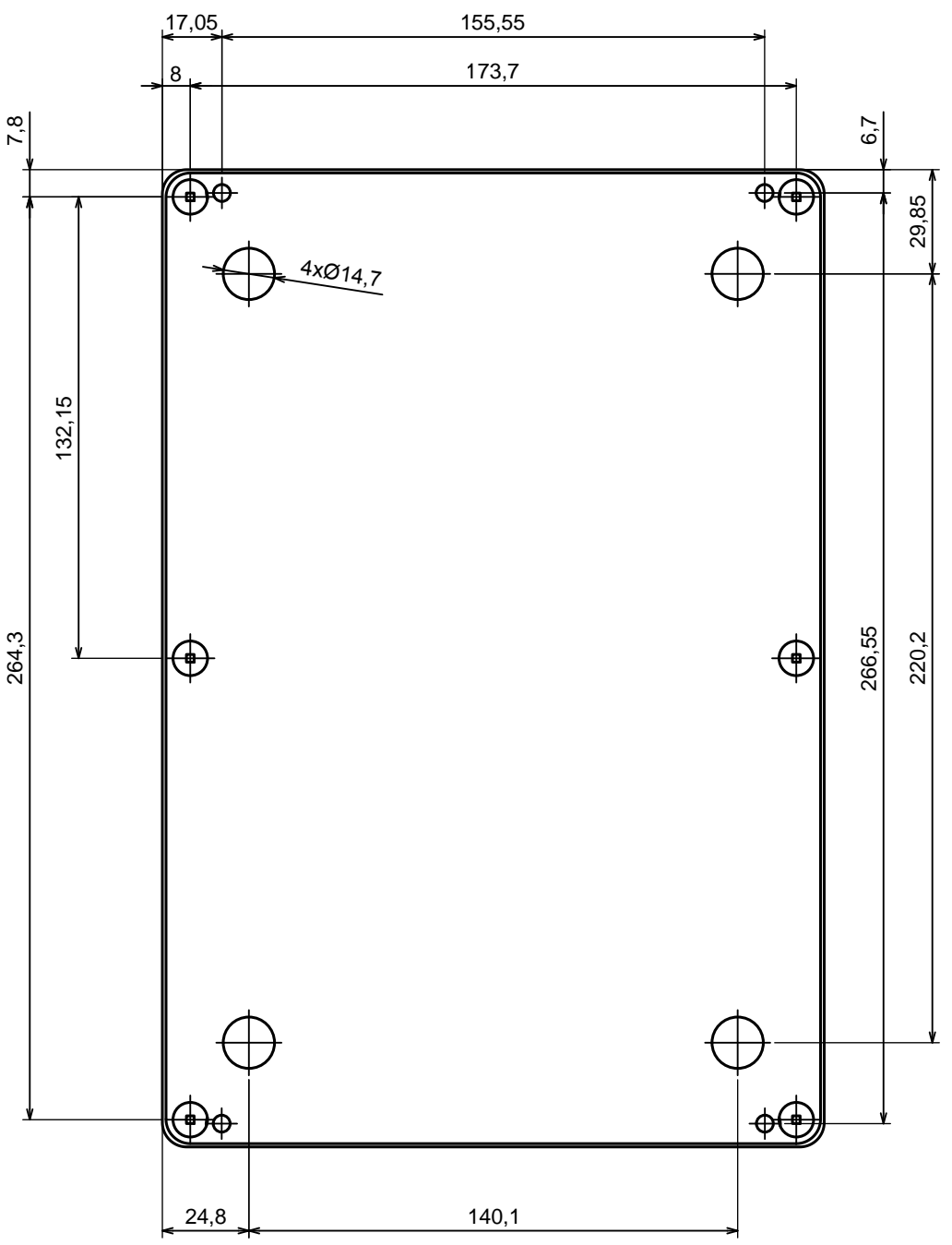
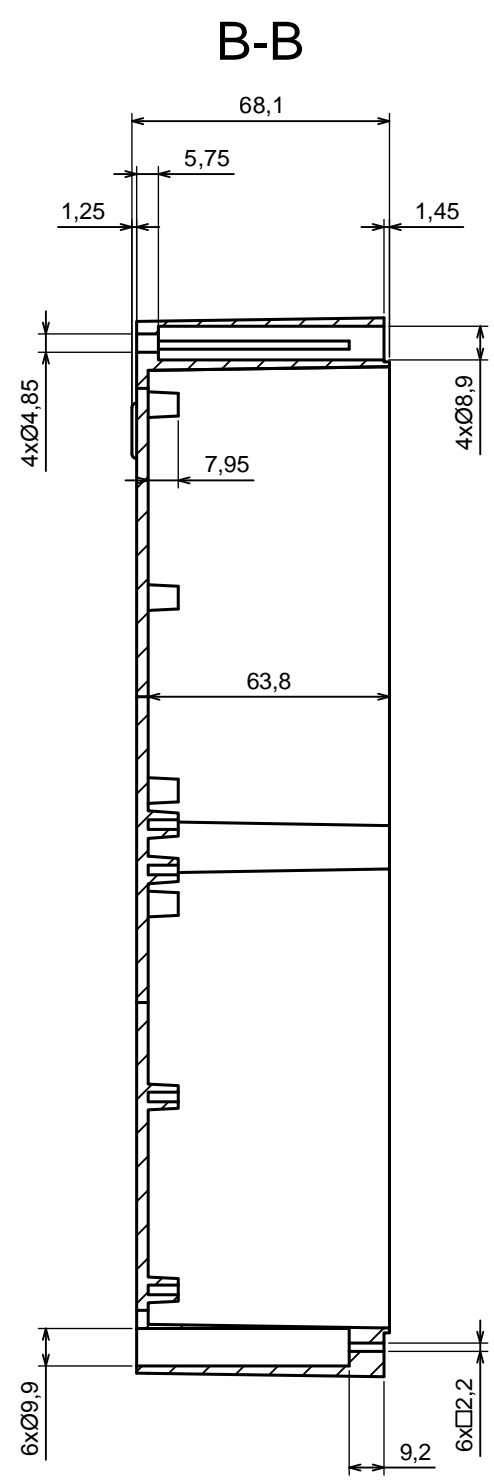
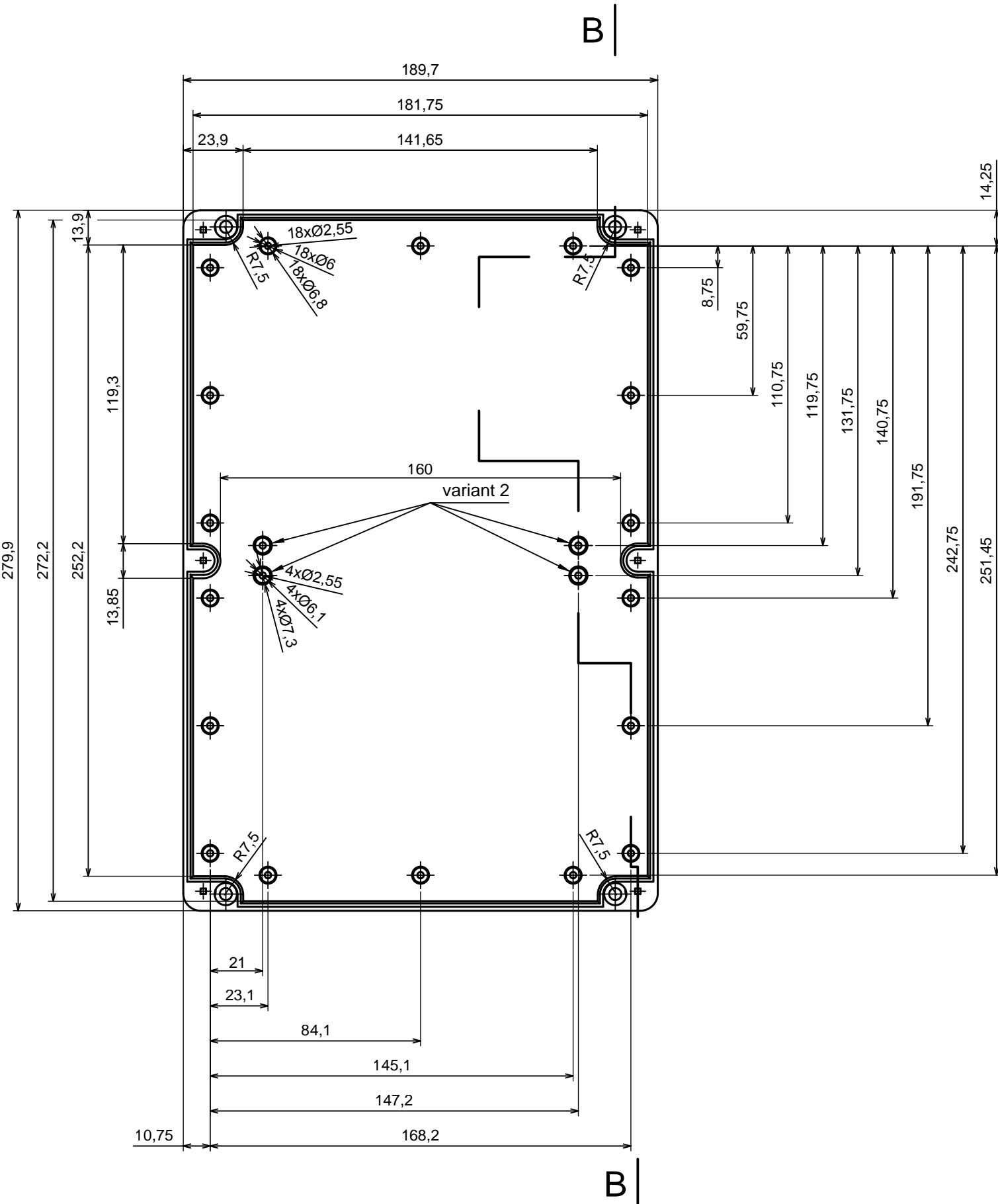
All rights reserved, Copyright Kradex 2016

Product model: Enclosure Z95 - assembly

Format: A3 Material: PS, ABS

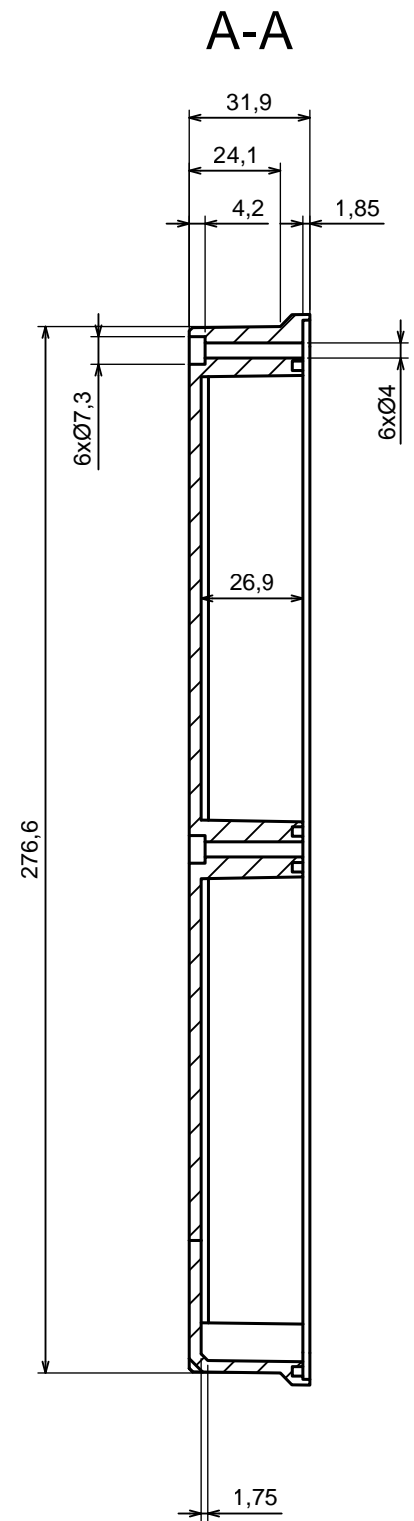
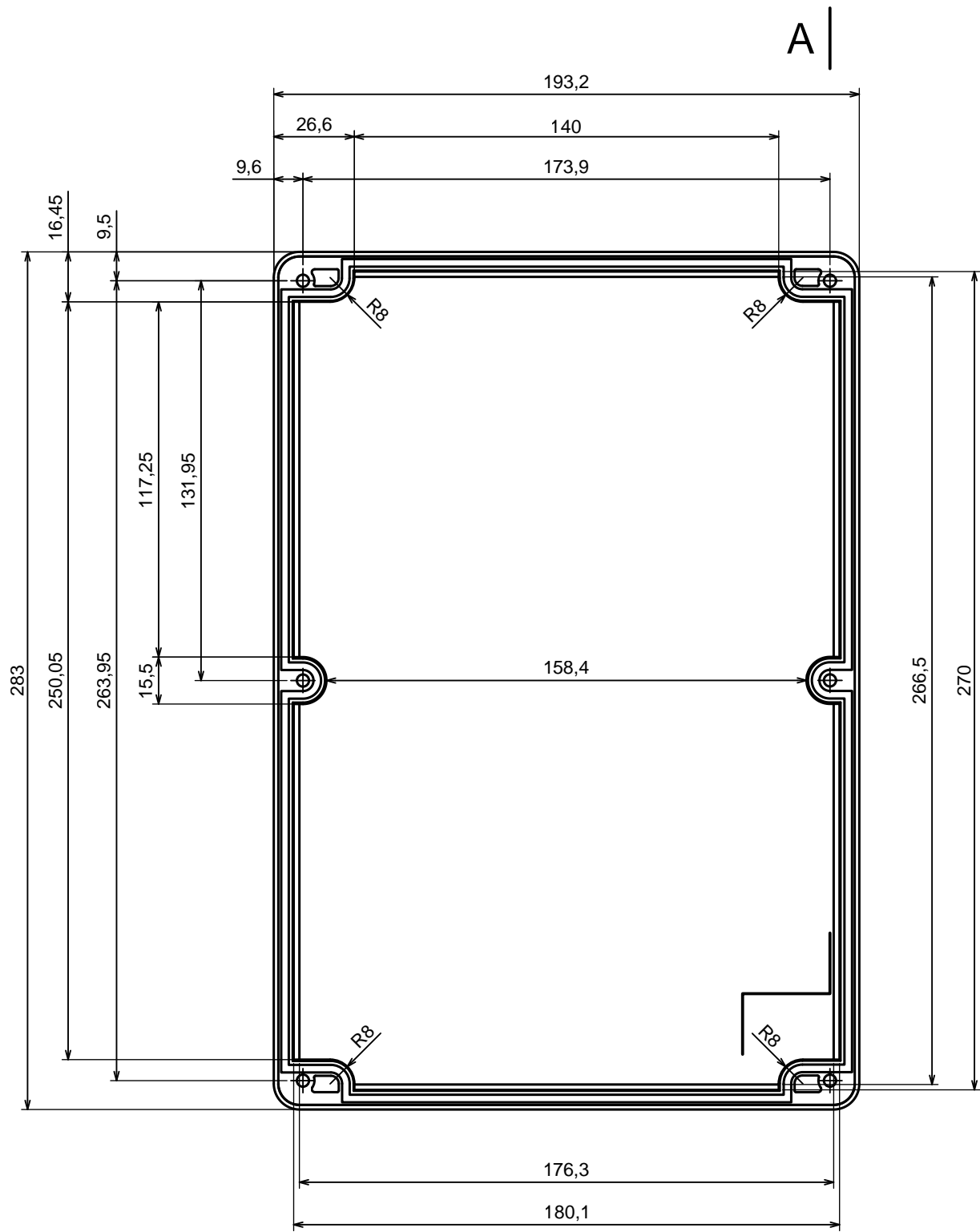
Scale 1:2 Tolerance: +/- 0.5






All rights reserved, Copyright Kradox 2016	
Product model	Enclosure Z95 - base
Format: A3	Material: PS, ABS
Scale 1:2	Tolerance: +/- 0.5





A |

All rights reserved, Copyright Kradox 2016		
Product model	Enclosure Z95 - cover	
Format: A3	Material: PS, ABS	
Scale 1:2	Tolerance: +/- 0.5	