

## Metalized Polyester Film Radial Box Capacitor

### Features

- Self-healing property
- Excellent electrical characteristics
- High Reliability, high moisture resistance
- RoHS compliant



### Applications

- Pulse, logic and timing circuits
- Counter, igniter circuits etc.
- General purpose usage

### Specification

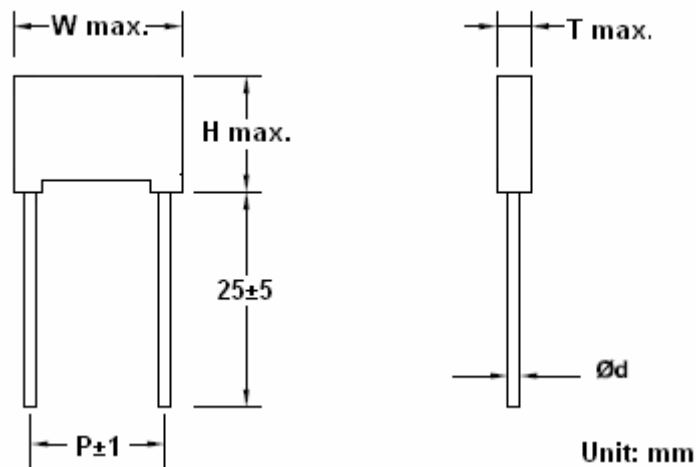
Reference Standards: IEC384-2, GB7335-87

Description	Value					Conditions	
Operation Temperature Range	-40 ~ +105 °C						
Capacitance Range	0.001 ~ 22 μF					at 20 °C, 1KHz	
Capacitance Tolerance	±5%(J), ±10%(K), ±20%(M),						
Max. Dissipation Factor tan δ	1.3%					C≤1uF, at 20 °C, 10KHz	
	1.0%					C>1uF, at 20 °C, 1KHz	
Rated Voltage (VDC)	50/63	100	250	400	630		
Withstand Voltage	1.6 V <sub>R</sub>					at 2s	
Insulation Resistance	≥7500 MΩ					C≤0.33 μF	
		≥15000 MΩ					at 20°C, 10VDC, 60s
			≥15000 MΩ				at 20°C, 100VDC, 60s
	≥2500 s					C>0.33 μF	
		≥5000 s					at 20°C, 500VDC, 60s
			≥5000 s				at 20°C, 100VDC, 60s
			≥5000 s			at 20°C, 500VDC, 60s	

# Metallized Polyester Film Radial Box Capacitor

## MEB Series

### Dimensions & Rated Voltage & Capacitance



Cap. ( $\mu$ F)	$V_R=50/63VDC$					$V_R=100VDC$				
	P	W max.	H max.	T max.	$\varnothing d$	P	W max.	H max.	T max.	$\varnothing d$
0.068						5	7.2	7.5	3.5	0.6
0.10	5	7.2	7.5	3.5	0.6	5	7.2	9.5	4.5	0.6
0.15	5	7.2	7.5	3.5	0.6	7.5	10	9	4	0.6
0.22	5	7.2	7.5	4.5	0.6	7.5	10	10	5	0.6
						10	13	11	4	0.6
0.33	7.5	10	9	4	0.6	10	13	11	5	0.6
0.47	7.5	10	11	5	0.6	10	13	12	6	0.6
0.68	7.5	10	12	6	0.6	15	18	12	6	0.8
	10	13	11	4	0.6					
1.0	5	7.2	12	5	0.6	15	18	13	7	0.8
	10	13	11	6	0.6					
1.5	10	13	12	6	0.6	15	18	14.5	8.5	0.8
						22.5	26.5	15	6	0.8
2.2	15	18	12	6	0.8	15	18	16	10	0.8
						22.5	26.5	15	6	0.8
3.3	15	18	14.5	7.5	0.8	22.5	26.5	17.5	8.5	0.8
4.7	22.5	26	15	6	0.8	22.5	26.5	19.0	10	0.8
	15	18	16	10	0.8	27.5	32	17.5	8.5	0.8
6.8	22.5	26	17.5	8.5	0.8	27.5	32	20	11	0.8
10	22.5	26	19.0	10	0.8	27.5	32	25	14	0.8
	27.5	32	17.5	8.5	0.8					
15	27.5	32	22	11	0.8	27.5	32	27.5	17.5	0.8
22	27.5	32	23	13	0.8					

# Metallized Polyester Film Radial Box Capacitor

## MEB Series

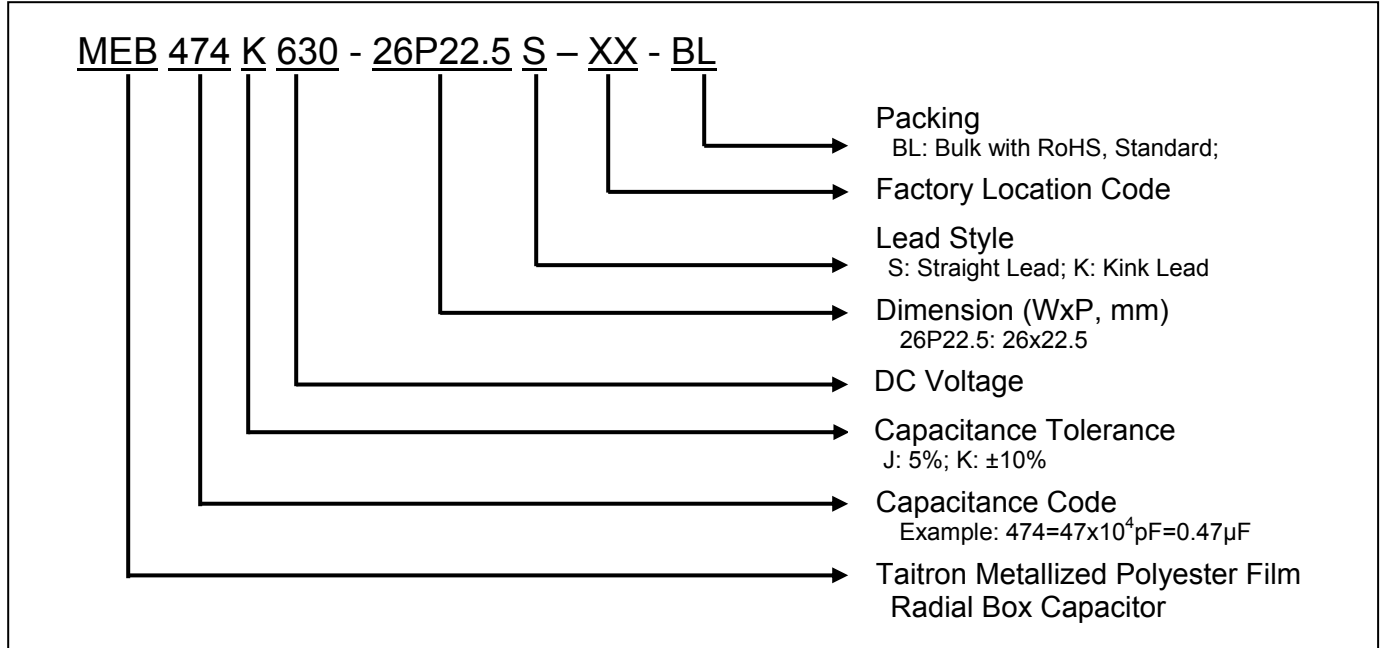
Cap. (uF)	V <sub>R</sub> =250VDC					V <sub>R</sub> =400VDC				
	P	W max.	H max.	T max.	Ød	P	W max.	H max.	T max.	Ød
0.010						5	7.2	7.5	3.5	0.6
0.015						5	7.2	7.5	3.5	0.6
0.022	5	7.2	7.5	3.5	0.6	7.5	10	9	4	0.6
0.033	5	7.2	9.5	4.5	0.6	7.5	10	9	4	0.6
0.047	7.5	10	11	5	0.6	7.5	10	11	5	0.6
						10	13	11	4	0.6
0.068	7.5	10	12	6	0.6	10	13	11	5	0.6
0.10	10	13	11	4	0.6	10	13	12	6	0.6
0.15						15	18	11	5	0.8
0.22	10	13	12	6	0.6	15	18	12	6	0.8
	15	18	11	5	0.8					
0.33	15	18	12	6	0.8	15	18	14.5	7.5	0.8
0.47	15	18	13	7	0.8	15	18	14.5	8.5	0.8
						22.5	26.5	16.5	7	0.8
0.68	15	18	14.5	8.5	0.8	22.5	26.5	17	8.5	0.8
	22.5	26.5	15	6	0.8					
1.0	22.5	26.5	16.5	7	0.8	22.5	26.5	19	10	0.8
						27.5	31.5	17.5	8.5	0.8
1.2	22.5	26.5	15	6	0.8					
1.5	22.5	26.5	17.5	8.5	0.8	27.5	32	20	11	0.8
2.2	22.5	26.5	19	10	0.8	27.5	31	23	13	0.8
	27.5	31.5	17.5	8.5	0.8					
2.7	27.5	31.5	17.5	8.5	0.8					
3.3	27.5	32	20	11	0.8	27.5	32	25	14	0.8
4.7	27.5	32	23	11	0.8	27.5	32	30	20	0.8
6.8	27.5	32	27.5	17.5	0.8					

Cap. (uF)	V <sub>R</sub> =630VDC					Cap. (uF)	V <sub>R</sub> =630VDC				
	P	W max.	H max.	T max.	Ød		P	W max.	H max.	T max.	Ød
0.010	7.5	10	9	4	0.6	0.22	15	18	14.5	8.5	0.8
0.015	7.5	10	9	4	0.6		22.5	26.5	15	6	0.8
	10	13	9	4	0.6	0.33	22.5	26	16.5	7	0.8
0.022	10	13	11	4	0.6	0.47	22.5	26.5	19	10	0.8
0.033	10	13	11	5	0.6	0.68	27.5	31.5	17.5	8.5	0.8
0.047	10	13	12	6	0.6		22.5	26	21	11	0.8
0.068	15	18	11	5	0.6	1.0	27.5	32	20	11	0.8
0.10	15	18	12	6	0.8	1.5	27.5	32	25	14	0.8
0.15	15	18	13.5	7.5	0.8	2.2	27.5	32	27.5	17.5	0.8

# Metallized Polyester Film Radial Box Capacitor

## MEB Series

### How to Order



# Metallized Polyester Film Radial Box Capacitor

---

## MEB Series

### How to contact us:

#### **US HEADQUARTERS**

28040 WEST HARRISON PARKWAY, VALENCIA, CA 91355-4162

Tel: (800) TAITRON (800) 824-8766 (661) 257-6060

Fax: (800) TAITFAX (800) 824-8329 (661) 257-6415

Email: [taitron@taitroncomponents.com](mailto:taitron@taitroncomponents.com)

Http://[www.taitroncomponents.com](http://www.taitroncomponents.com)

#### **TAITRON COMPONENTS MEXICO, S.A .DE C.V.**

BOULEVARD CENTRAL 5000 INTERIOR 5 PARQUE INDUSTRIAL ATITALAQUIA, HIDALGO C.P.  
42970 MEXICO

Tel: +52-55-5560-1519

Fax: +52-55-5560-2190

#### **TAITRON COMPONENTS INCORPORATED REPRESENTAÇÕES DO BRASIL LTDA**

RUA DOMINGOS DE MORAIS, 2777, 2.ANDAR, SALA 24 SAÚDE - SÃO PAULO-SP 04035-001 BRAZIL

Tel: +55-11-5574-7949

Fax: +55-11-5572-0052

#### **TAITRON COMPONENTS INCORPORATED, SHANGHAI REPRESENTATIVE OFFICE**

METROBANK PLAZA, 1160 WEST YAN' AN ROAD, SUITE 1503, SHANGHAI, 200052, CHINA

Tel: +86-21-5424-9942

Fax: +86-21-5424-9931