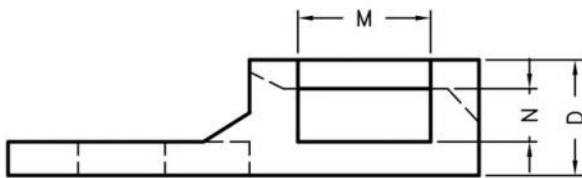
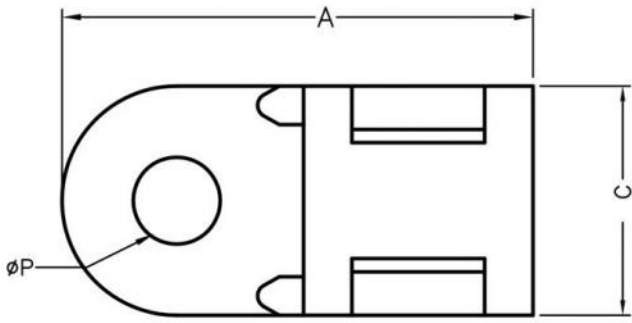


WEBSITE PHOTOS

⚠ This dwg is for reference only, Actual dwg should be based on formal engineering dwg issued by Kang Yang.



A	C	D	M	N	P
19.5	9.5	4.8	5.5	2.2	$\phi 3.6$

1.It is normal if it is shrinking.  
 2.All measurement does not include gate which raises under 0.3mm.



康揚企業股份有限公司  
 KANG YANG HARDWARE ENTERPRISE CO., LTD.  
 康揚塑膠(東莞)有限公司  
 KANG YANG PLASTIC(DONG GUAN) CO., LTD.  
 康哲電腦配件(吳江)有限公司  
 KANG CHE COMPUTER COMPONENTS(WUJIANG) CO., LTD.

PART NUMBER			TH-3	SPEC. DWG.	
TITLE					
CABLE TIE MOUNT					
MATERIAL			NYLON 66(UL) 94V-0	COLOR	
			NATURAL		
SIZE	SCALE	UNIT	CHECK		
A4	2:1	mm	Z.C		