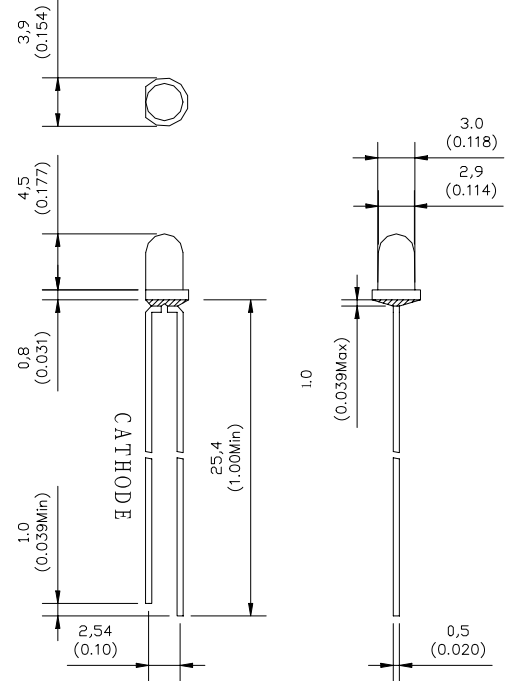


GNL-3014xx (Φ 3mm ROUND TYPE) Ultra Brightness

ABSOLUTE MAXIMUM RATING:(Ta=25°C)

Parameter			Unit
DC Forward Current	30		mA
Reverse Voltage	5		V
Reverse Current (Vr=5V)	10		μA
Peak Forward Current ,tw ,=1 msec Duty ,=1/20	150		mA
Operation Temperature	-40	+80	°C
Storage Temperature	-40	+100	°C
Solder Dip (5 seconds,1.6mm from body) Temperature	300	±5	°C



Part Number	EMITTED COLOR		Lens Color	Peak Wavelength (nm)	Vf (v) Typ.	IV (If=20mA) mcd		View Angle 2 θ 1/2
						Min.	Typ.	
GNL-3014LGD	GaP	Super Green	Green Diffused	568	2.0	80	110	40°
GNL-3014LRD	GaAlAs	Super Red	Red Diffused	660	2.0	90	120	40°
GNL-3014SRD	GaAlAs	Super Red	Red Diffused	660	2.0	70	100	40°
GNL-3014UED	AlGaInP	Super Orange	Orange Diffused	625	2.0	250	350	40°
GNL-3014UGD	AlGaInP	Super Green	Green Diffused	572	2.0	90	110	40°
GNL-3014UYD	AlGaInP	Super Yellow	Yellow Diffused	589	2.0	300	400	40°
GNL-3014UBD	InGaN	Ultra Super Blue	Blue Diffused	470	3.5	1000	1500	40°
GNL-3014PGD	InGaN	Ultra Super Green	Green Diffused	525	3.5	3500	4500	40°
GNL-3014LRD-L	GaAlAs	Super Red	Red Diffused	660	2.0	90	120	40°