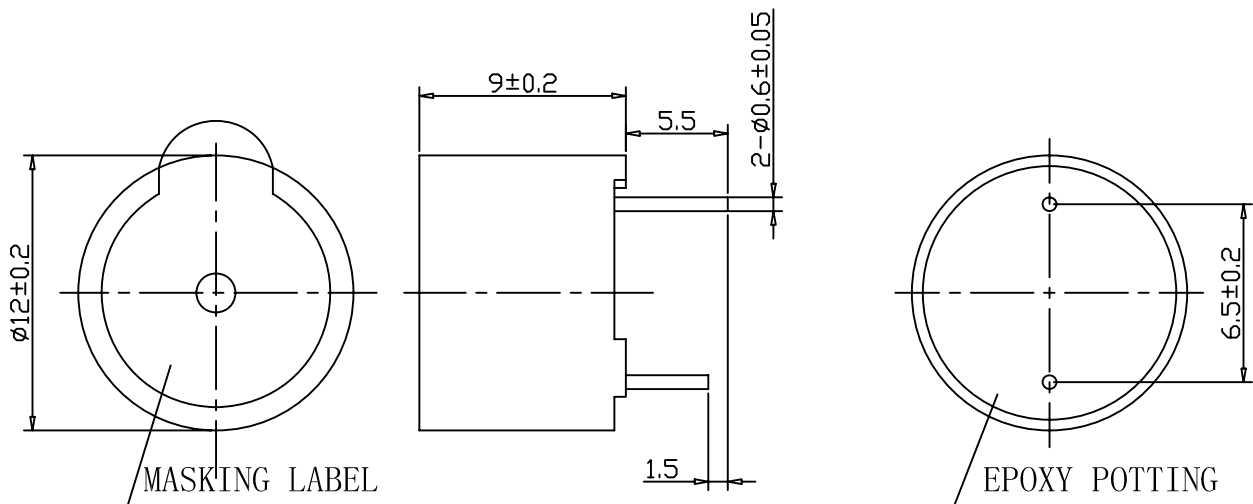


SPECIFICATION SHEET

Type	Unit	LD-BZEN-1212
Rated voltage	V	12
Operating Voltage	V	6-15
*Rated Current (MAX)	mA	40
* Min Sound Output at 10 cm	dB	85
Coil Resistance	Ω	140 ± 14
*Resonant Frequency	Hz	2400
Operating Temperature	$^{\circ}$ C	-20 - +70
Storage Temperature	$^{\circ}$ C	-30 - +80
Housing Material	NORYL	
Weight	g	2

*Value Applying at Rated Voltage(resonant frequency,1/2 duty,square wave)

DIMENSIONS UNIT:mm Tolerance: ± 0.5 mm



Wave Solder And Wash Allowed