

PIEZO BUZZER

Customer	
Customer P/O	
Bestar Model Name	BPT-380X-S
Product No.	041001
Issue No.	BS/TEP01.017A
Issue Date	02/07/01

Approval:

- 1.Characteristic
- 2.Dimension
- 3.Reliability Test



BESTAR ELECTRONICS INDUSTRY CO.,LTD
TianAn Industry Park4/F,Site B ChangZhou New District
Tel:86-519-5103228
Fax:86-519-5131010
E-Mail:wu@be-star.com
Http:www.be-star.com

BPT-380X-S

1. Characteristic

Electrical and Mechanical Characteristics



Item	Unit	Specifications
Rated Voltage	V	12
Operating Voltage	V	6...28
Operating Current (max)	mA	4/6V 18/28V
Sound Output at 60cm(min)	dB	70 /6V 85 /28V
Resonant Frequency	Hz	2900 ± 500
Tone		Continuous+Fast Pulse
Operating Temperature	°C	-20...+60
Storage Temperature	°C	-30...+70
Weight	g	38.5

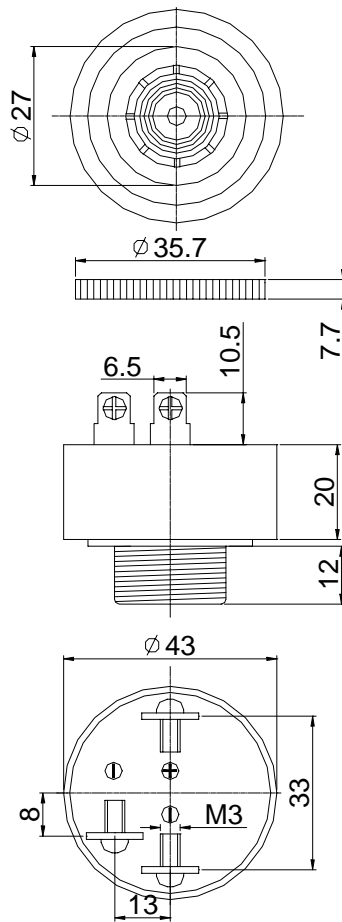
This print and information therein are proprietary to Bestar Electronics Industry Co., Ltd. and shall not be used in whole or in part without its written content 0411001

DIS .		DATE		Page:1 of 3 3rd angle projection	BPT-380X-S Piezo Buzzer DRG NO BS/TEP01.017A
CHEC.		DATE			
APPR.		DATE			
 BESTAR ELECTRONICS INDUSTRY CO.,LTD TianAn Industry Park 4/F,Site B ChangZhou New District					

BPT-380X-S

2. Drawing

Tolerance: ± 0.5



This print and information therein are proprietary to Bestar Electronics Industry Co., Ltd. and shall not be used in whole or in part without its written content 041001

DIS.		DATE		Page:2 of 3 3rd angle projection	BPT-380X-S
CHEC.		DATE			Piezo Buzzer
APPR.		DATE			DRG NO BS/TEP01.017A
 BESTAR ELECTRONICS INDUSTRY CO.,LTD TianAn Industry Park 4/F, Site B ChangZhou New District					

This print and information therein are proprietary to Bestar Electronics Industry Co., Ltd. and shall not be used in whole or in part without its written content 041001

BPT-380X-S

3. Reliability test

3.1 High temperature test

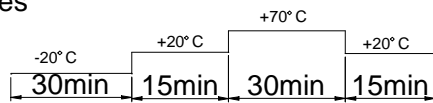
Temperature +70° C
 Duration 96hrs

3.2 Low temperature test

Temperature -30° C
 Duration 96hrs

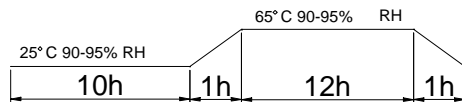
3.3 Temperature cycle test

Cycles 5



3.4 Humidity cycle test

Cycles 5



all these tests above should be measured after leaving normal temperature for 2hrs.

3.5 Drop test

Height 70cm
 (to 10mm thickness woodenboard)
 Direction 3

Notice: All specification must be satisfied in this condition.

DIS.		DATE		Page:3 of 3 3rd angle projection	BPT-380X-S
CHEC.		DATE			
APPR.		DATE			Piezo Buzzer
 BESTAR ELECTRONICS INDUSTRY CO.,LTD TianAn Industry Park 4/F, Site B ChangZhou New District					DRG NO BS/TEP01.017A