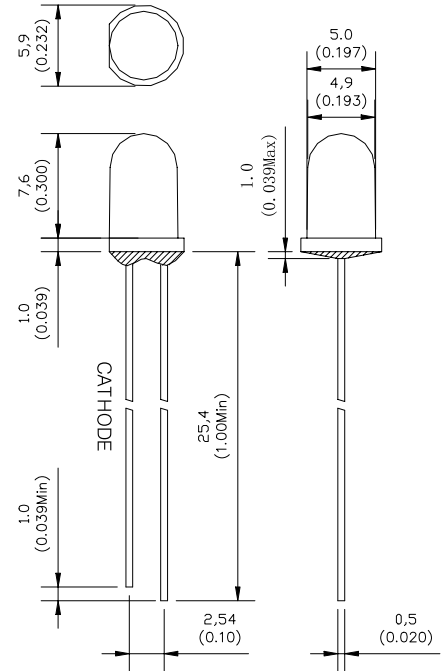


## GNL-5013xx (Φ5mm ROUND TYPE) Ultra Brightness

ABSOLUTE MAXIMUM RATING:(Ta=25°C)

Parameter			Unit
DC Forward Current	30		mA
Reverse Voltage	5		V
Reverse Current (Vr=5V)	10		μA
Peak Forward Current ,tw ,=1 msec Duty ,=1/20	150		mA
Operation Temperature	-40	+80	°C
Storage Temperature	-40	+100	°C
Solder Dip (5 seconds,1.6mm from body ) Temperature	300	±5	°C



Part Number	EMITTED COLOR		Lens Color	Peak Wavelength (nm)	Vf (v) Typ.	IV (If=20mA) mcd		View Angle 2 θ 1/2
						Min.	Typ.	
GNL-5013SRT	GaAlAs	Super Red	Red Transparent	660	1.9	250	400	18°
GNL-5013SRC	GaAlAs	Super Red	Water Clear	660	1.9	250	400	18°
GNL-5013LRC	GaAlAs	Super Red	Water Clear	660	1.9	400	500	18°
GNL-5013LGC	GaAlAs	Super Red	Water Clear	560	1.9	250	400	18°
GNL-5013URC	GaAlAs	Super Red	Water Clear	660	1.9	600	800	18°
GNL-5013UEC	AlGaInP	Super Orange Red	Water Clear	625	2.0	1200	1500	18°
GNL-5013GC	GaP	Green	Water Clear	565	2.0	40	50	18°
GNL-5013UGC	AlGaInP	Yellow Green	Water Clear	572	2.0	600	800	18°
GNL-5013YC	GaAsP	Yellow	Water Clear	588	2.0	40	50	18°
GNL-5013UYC	AlGaInP	Super Yellow	Water Clear	590	2.0	1200	1500	18°
GNL-5013BC	InGaN	Super Blue	Water Clear	470	3.5	1000	1500	18°
GNL-5013UBC	InGaN	Ultra Super Blue	Water Clear	470	3.5	1500	2000	18°
GNL-5013BGC	InGaN	Super Bluish Green	Water Clear	505	3.5	4000	5000	18°
GNL-5013PGC	InGaN	Super Pure Green	Water Clear	525	3.5	5000	7000	18°
GNL-5013VC	InGaN	Super Violet	Water Clear	400	3.5	50	90	18°
GNL-5013UVC	InGaN	Super Violet	Water Clear	400	3.5	150	300	18°
GNL-5013PVC	InGaN	Super Violet	Water Clear		3.5	2500	4000	18°
GNL-5013UEC-1	AlGaInP	Super Orange Red	Water Clear	625	2.0	1000	1200	18°
GNL-5013UYC-1	AlGaInP	Super Yellow	Water Clear	590	2.0	1000	1200	18°
GNL-5013PGC-1	InGaN	Super Pure Green	Water Clear	525	3.5	4000	5000	18°

Part Number	EMITTED COLOR		Lens Color	Peak Wavelength (nm)	Vf (v) Typ.	IV (If=20mA) mcd		View Angle 2 θ 1/2
						Min.	Typ.	
GNL-5013UEC-50	AlGaInP	Super Orange Red	Water Clear	625	2.0	1500	2000	25°
GNL-5013UYC-50	AlGaInP	Super Red	Water Clear	590	2.0	2000	3000	25°
GNL-5013PGC-50	InGaN	Super Pure Green	Water Clear	505	3.5	5000	7000	25°
GNL-5013UBC-50	InGaN	Super Blue	Water Clear	470	3.5	2500	3000	25°
GNL-5013BGC-50	InGaN	Super Bluish Green	Water Clear	505	3.5	3000	5000	25°