



**SAMXON BRAND ALUMINUM ELECTROLYTIC CAPACITORS**

**PRODUCT SPECIFICATION**

**規格書**

<b>CUSTOMER :</b> (客戶):	<b>DATE :</b> (日期): 2014-07-23
----------------------------	-----------------------------------

CATEGORY (品名)	: ALUMINUM ELECTROLYTIC CAPACITORS
DESCRIPTION (型号)	: GF SERIES 105°C
VERSION (版本)	: 01
Customer P/N	:
SUPPLIER	:

SUPPLIER	
PREPARED (拟定)	CHECKED (审核)
李雪妮	潘素清

CUSTOMER	
APPROVAL (批准)	SIGNATURE (签名)



<b>MAN YUE ELECTRONICS COMPANY LIMITED</b>	<i>ELECTROLYTIC CAPACITOR SPECIFICATION GF SERIES</i>	<b>SAMXON</b>	

## CONTENTS

	<b>Sheet</b>
1. Application	3
2. Part Number System	3
3. Construction	4
4. Characteristics	5~12
4.1 Rated voltage & Surge voltage	
4.2 Capacitance (Tolerance)	
4.3 Leakage current	
4.4 $\tan \delta$	
4.5 Impedance	
4.6 Terminal strength	
4.7 Temperature characteristic	
4.8 Load life test	
4.9 Shelf life test	
4.10 Surge test	
4.11 Vibration	
4.12 Solderability test	
4.13 Resistance to solder heat	
4.14 Change of temperature	
4.15 Damp heat test	
4.16 Vent test	
4.17 Maximum permissible (ripple current)	
5. Product Dimensions, Impedance & Maximum Permissible Ripple Current	13~20
6. Forming Dimension	21
7. Taping Dimension	22~24
8. List of “Environment-related Substances to be Controlled (‘Controlled Substances’)”	25
Attachment: Application Guidelines	26~31

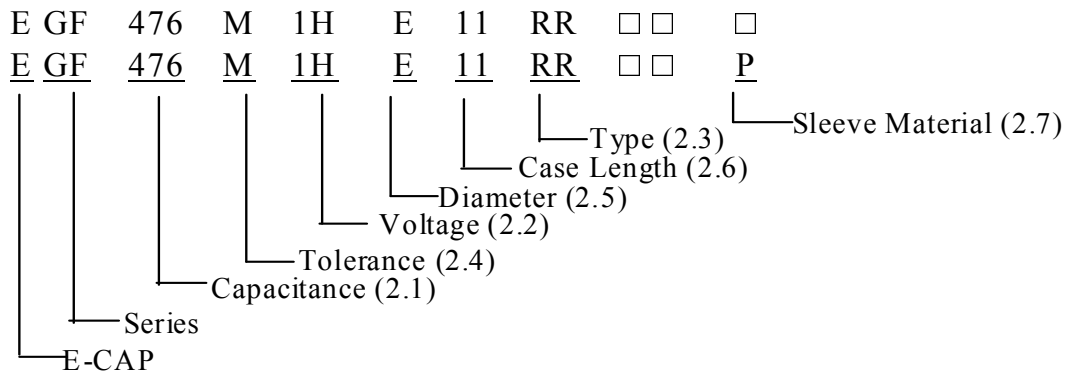
Issued-date: 2013-10-7	Name	Specification Sheet – GF		
Version	01		Page	2
STANDARD MANUAL				

<b>MAN YUE ELECTRONICS COMPANY LIMITED</b>	<i>ELECTROLYTIC CAPACITOR SPECIFICATION GF SERIES</i>	<b>SAMXON</b>

## 1. Application

This specification applies to polar Aluminum electrolytic capacitor (foil type) used in electronic equipment. Designed capacitor's quality meets IEC60384.

## 2. Part Number System



### 2.1 Capacitance code

Code	475	476	477	478
Capacitance (μ F)	4.7	47	470	4700

### 2.2 Rated voltage code

Code	0J	1A	1C	1E	1V	1H	1J	2A
Rate Voltage (V.DC)	6.3	10	16	25	35	50	63	100

### 2.3 Type

Code	RR	TU	TV	TC	TE	CB	CA	CC	CE	NB	PB
Reference	Bulk	Taping Spec.				Forming Spec					

### 2.4 Capacitance tolerance

"M" stands for -20% ~ +20%

### 2.5 Size

Code	D	E	F	G	I
Diameter	5	6.3	8	10	12.5

### 2.6 Length

"11" = 11mm    "12" = 12mm    "1B" = 12.5mm    "16" = 16mm  
 "20" = 20mm    "25" = 25mm    "30" = 30mm

### 2.7 Sleeve material

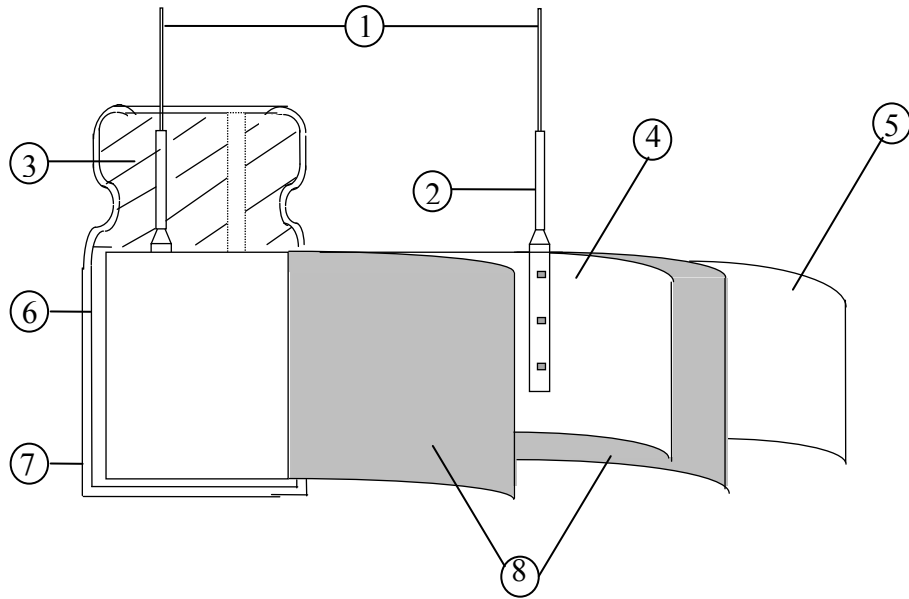
Code	P	Blank
Sleeve material	PET	PVC

**Remark:** The " □ " in fifteenth and sixteenth digits is used for the product lines, and the " □ " in the seventeenth digit is used to indicate that the sleeve is the PVC material.

Issued-date: 2013-10-7	Name	Specification Sheet – GF		
Version	01	Page	3	
STANDARD MANUAL				

**3. Construction**

Single ended type to be produced to fix the terminals to anode and cathode foil, and wind together with paper, and then wound element to be impregnated with electrolyte will be enclosed in an aluminum case. Finally sealed up tightly with end seal rubber, then finished by putting on the vinyl sleeve.



No	Component	Material
1	Lead Line	Tinned CP wire (Pb Free)
2	Terminal	Aluminum wire
3	Sealing Material	Rubber
4	Al-Foil (+)	Formed aluminum foil
5	Al-Foil (-)	Etched aluminum foil or formed aluminum foil
6	Case	Aluminum case
7	Sleeve	PVC/PET
8	Separator	Electrolyte paper

<b>MAN YUE ELECTRONICS COMPANY LIMITED</b>	<i>ELECTROLYTIC CAPACITOR SPECIFICATION GF SERIES</i>	<b>SAMXON</b>	

#### 4. Characteristics

##### Standard atmospheric conditions

Unless otherwise specified, the standard range of atmospheric conditions for making measurements and tests is as follows:

Ambient temperature	: 15°C to 35°C
Relative humidity	: 45% to 85%
Air Pressure	: 86kPa to 106kPa

If there is any doubt about the results, measurement shall be made within the following conditions:

Ambient temperature	: 20°C ± 2°C
Relative humidity	: 60% to 70%
Air Pressure	: 86kPa to 106kPa

##### Operating temperature range

The ambient temperature range at which the capacitor can be operated continuously at rated voltage is -40°C to 105°C(6.3~100WV).

As to the detailed information, please refer to table 1

Issued-date: 2013-10-7	Name	Specification Sheet – GF		
Version	01		Page	5
STANDARD MANUAL				

MAN YUE ELECTRONICS COMPANY LIMITED	ELECTROLYTIC CAPACITOR SPECIFICATION GF SERIES	SAMXON	

Table 1

ITEM		PERFORMANCE																											
4.1	Rated voltage (WV)	WV (V.DC)	6.3	10	16	25	35	50	63																				
		SV (V.DC)	8	13	20	32	44	63	79																				
	Surge voltage (SV)	WV (V.DC)	100																										
		SV (V.DC)	125																										
4.2	Nominal capacitance (Tolerance)	<p>&lt;Condition&gt;            Measuring Frequency :120Hz± 12Hz            Measuring Voltage : Not more than 0.5Vrms            Measuring Temperature : 20±2℃</p> <p>&lt;Criteria&gt;            Shall be within the specified capacitance tolerance.</p>																											
4.3	Leakage current	<p>&lt;Condition&gt;            Connecting the capacitor with a protective resistor (1kΩ ± 10Ω) in series for 2 minutes, and then, measure Leakage Current.</p> <p>&lt;Criteria&gt;            (6.3~100WV): I (μ A) ≤ 0.01CV or 3 (μ A) whichever is greater</p> <p>I: Leakage current (μ A)            C: Capacitance (μ F)            V: Rated DC Working Voltage (V)</p>																											
4.4	tan δ	<p>&lt;Condition&gt;            See 4.2, Norm Capacitance, for measuring frequency, voltage and temperature.</p> <p>&lt;Criteria&gt;</p> <table border="1"> <tr> <td>Working voltage (v)</td> <td>6.3</td> <td>10</td> <td>16</td> <td>25</td> <td>35</td> <td>50</td> <td>63</td> </tr> <tr> <td>tan δ (max.)</td> <td>0.22</td> <td>0.19</td> <td>0.16</td> <td>0.14</td> <td>0.12</td> <td>0.10</td> <td>0.09</td> </tr> </table> <table border="1"> <tr> <td>Working voltage (v)</td> <td>100</td> </tr> <tr> <td>tan δ (max.)</td> <td>0.08</td> </tr> </table> <p>For capacitance value &gt;1000 μ F, add 0.02 per another 1000 μ F.</p>								Working voltage (v)	6.3	10	16	25	35	50	63	tan δ (max.)	0.22	0.19	0.16	0.14	0.12	0.10	0.09	Working voltage (v)	100	tan δ (max.)	0.08
Working voltage (v)	6.3	10	16	25	35	50	63																						
tan δ (max.)	0.22	0.19	0.16	0.14	0.12	0.10	0.09																						
Working voltage (v)	100																												
tan δ (max.)	0.08																												
4.5	Impedance	<p>&lt;Condition&gt;            Measuring frequency:100kHz; Measuring temperature:20±2℃            Measuring point: 2mm max. from the surface of a sealing rubber on the lead wire.</p> <p>&lt;Criteria&gt;            (20℃)Less than the initial limit(See page 14~20).</p>																											

Issued-date: 2013-10-7	Name	Specification Sheet – GF		
Version	01		Page	6
STANDARD MANUAL				

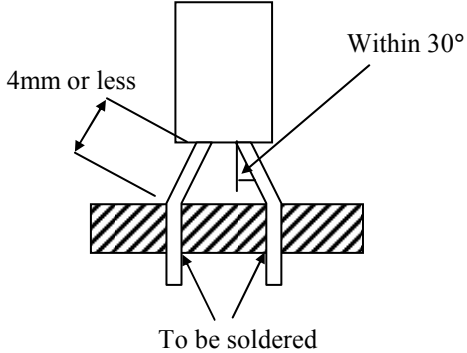
4.6	Terminal strength	<p><b>&lt;Condition&gt;</b> Tensile Strength of Terminals Fixed the capacitor, applied force to the terminal in lead out direction for 10 ± 1 seconds. Bending Strength of Terminals Fixed the capacitor, applied force to bent the terminal (1~4 mm from the rubber) for 90° within 2~3 seconds, and then bent it for 90° to its original position within 2~3 seconds.</p> <table border="1" data-bbox="545 629 1383 781"> <thead> <tr> <th>Diameter of lead wire</th> <th>Tensile force N (kgf)</th> <th>Bending force N (kgf)</th> </tr> </thead> <tbody> <tr> <td>0.5mm and less</td> <td>5 (0.51)</td> <td>2.5 (0.25)</td> </tr> <tr> <td>Over 0.5mm to 0.8mm</td> <td>10 (1.0)</td> <td>5 (0.51)</td> </tr> </tbody> </table> <p><b>&lt;Criteria&gt;</b> No noticeable changes shall be found, no breakage or looseness at the terminal.</p>	Diameter of lead wire	Tensile force N (kgf)	Bending force N (kgf)	0.5mm and less	5 (0.51)	2.5 (0.25)	Over 0.5mm to 0.8mm	10 (1.0)	5 (0.51)									
Diameter of lead wire	Tensile force N (kgf)	Bending force N (kgf)																		
0.5mm and less	5 (0.51)	2.5 (0.25)																		
Over 0.5mm to 0.8mm	10 (1.0)	5 (0.51)																		
4.7	Temperature characteristic	<p><b>&lt;Condition&gt;</b></p> <table border="1" data-bbox="531 1050 1388 1279"> <thead> <tr> <th>STEP</th> <th>Testing Temperature(°C)</th> <th>Time</th> </tr> </thead> <tbody> <tr> <td>1</td> <td>20 ± 2</td> <td>Time to reach thermal equilibrium</td> </tr> <tr> <td>2</td> <td>-40(-25) ± 3</td> <td>Time to reach thermal equilibrium</td> </tr> <tr> <td>3</td> <td>20 ± 2</td> <td>Time to reach thermal equilibrium</td> </tr> <tr> <td>4</td> <td>105 ± 2</td> <td>Time to reach thermal equilibrium</td> </tr> <tr> <td>5</td> <td>20 ± 2</td> <td>Time to reach thermal equilibrium</td> </tr> </tbody> </table> <p><b>&lt;Criteria&gt;</b></p> <p>a. At +105°C, capacitance measured shall be within ± 20% of its original value at +20°C. tan δ shall be within the limit of Item 4.4 The leakage current measured shall not more than 8 times of its specified value.</p> <p>b. In step 5, tan δ shall be within the limit of Item 4.4 The leakage current shall not more than the specified value</p>	STEP	Testing Temperature(°C)	Time	1	20 ± 2	Time to reach thermal equilibrium	2	-40(-25) ± 3	Time to reach thermal equilibrium	3	20 ± 2	Time to reach thermal equilibrium	4	105 ± 2	Time to reach thermal equilibrium	5	20 ± 2	Time to reach thermal equilibrium
STEP	Testing Temperature(°C)	Time																		
1	20 ± 2	Time to reach thermal equilibrium																		
2	-40(-25) ± 3	Time to reach thermal equilibrium																		
3	20 ± 2	Time to reach thermal equilibrium																		
4	105 ± 2	Time to reach thermal equilibrium																		
5	20 ± 2	Time to reach thermal equilibrium																		



MAN YUE ELECTRONICS COMPANY LIMITED	ELECTROLYTIC CAPACITOR SPECIFICATION GF SERIES	SAMXON	

4.7		<p>c. At-40°C (-25°C), impedance (Z) ratio shall not exceed the value of the following table.</p> <table border="1"> <tr> <td>Working Voltage (V)</td> <td>6.3</td> <td>10</td> <td>16</td> <td>25</td> <td>35</td> <td>50</td> </tr> <tr> <td>Z-25°C/Z+20°C</td> <td>4</td> <td>3</td> <td>2</td> <td>2</td> <td>2</td> <td>2</td> </tr> <tr> <td>Z-40°C/Z+20°C</td> <td>8</td> <td>6</td> <td>4</td> <td>3</td> <td>3</td> <td>3</td> </tr> </table> <table border="1"> <tr> <td>Working Voltage (V)</td> <td>63</td> <td>100</td> </tr> <tr> <td>Z-25°C/Z+20°C</td> <td>2</td> <td>2</td> </tr> <tr> <td>Z-40°C/Z+20°C</td> <td>3</td> <td>3</td> </tr> </table> <p>Capacitance, <math>\tan \delta</math>, and impedance shall be measured at 120Hz.</p>	Working Voltage (V)	6.3	10	16	25	35	50	Z-25°C/Z+20°C	4	3	2	2	2	2	Z-40°C/Z+20°C	8	6	4	3	3	3	Working Voltage (V)	63	100	Z-25°C/Z+20°C	2	2	Z-40°C/Z+20°C	3	3
		Working Voltage (V)	6.3	10	16	25	35	50																								
Z-25°C/Z+20°C	4	3	2	2	2	2																										
Z-40°C/Z+20°C	8	6	4	3	3	3																										
Working Voltage (V)	63	100																														
Z-25°C/Z+20°C	2	2																														
Z-40°C/Z+20°C	3	3																														
4.8	Load life test	<p>&lt;Condition&gt; According to IEC60384-4No.4.13 methods, The capacitor is stored at a temperature of 105°C <math>\pm</math> 2 with DC bias voltage plus the rated ripple current for 2000+48/0 ( <math>\phi</math> D, <math>\phi</math> 5~ <math>\phi</math> 6.3) hours , 3000+48/0 ( <math>\phi</math> D, <math>\phi</math> 8~ <math>\phi</math> 10) hours, 4000+48/0 ( <math>\phi</math> D <math>\geq</math> <math>\phi</math> 12.5) hours. (The sum of DC and ripple peak voltage shall not exceed the rated working voltage) Then the product should be tested after 16 hours recovering time at atmospheric conditions. The result should meet the following table:</p> <p>&lt;Criteria&gt; The characteristic shall meet the following requirements.</p> <table border="1"> <tr> <td>Leakage current</td> <td>Value in 4.3 shall be satisfied</td> </tr> <tr> <td>Capacitance Change</td> <td>Within <math>\pm</math>25% of initial value.</td> </tr> <tr> <td><math>\tan \delta</math></td> <td>Not more than 150% of the specified value.</td> </tr> <tr> <td>Appearance</td> <td>There shall be no leakage of electrolyte.</td> </tr> </table>	Leakage current	Value in 4.3 shall be satisfied	Capacitance Change	Within $\pm$ 25% of initial value.	$\tan \delta$	Not more than 150% of the specified value.	Appearance	There shall be no leakage of electrolyte.																						
Leakage current	Value in 4.3 shall be satisfied																															
Capacitance Change	Within $\pm$ 25% of initial value.																															
$\tan \delta$	Not more than 150% of the specified value.																															
Appearance	There shall be no leakage of electrolyte.																															
4.9	Shelf life test	<p>&lt;Condition&gt; The capacitors are then stored with no voltage applied at a temperature of 105 <math>\pm</math> 2°C for 1000+48/0 hours. Following this period the capacitors shall be removed from the test chamber and be allowed to stabilized at room temperature for 4~8 hours. Next they shall be connected to a series limiting resistor(1k <math>\pm</math> 100 <math>\Omega</math>) with D.C. rated voltage applied for 30min. After which the capacitors shall be discharged, and then, tested the characteristics.</p> <p>&lt;Criteria&gt; The characteristic shall meet the following requirements.</p> <table border="1"> <tr> <td>Leakage current</td> <td>Value in 4.3 shall be satisfied</td> </tr> <tr> <td>Capacitance Change</td> <td>Within <math>\pm</math>25% of initial value.</td> </tr> <tr> <td><math>\tan \delta</math></td> <td>Not more than 150%of the specified value.</td> </tr> <tr> <td>Appearance</td> <td>There shall be no leakage of electrolyte.</td> </tr> </table> <p>Remark: If the capacitors are stored more than 1 year, the leakage current may increase. Please apply voltage through about 1 k<math>\Omega</math> resistor, if necessary.</p>	Leakage current	Value in 4.3 shall be satisfied	Capacitance Change	Within $\pm$ 25% of initial value.	$\tan \delta$	Not more than 150%of the specified value.	Appearance	There shall be no leakage of electrolyte.																						
Leakage current	Value in 4.3 shall be satisfied																															
Capacitance Change	Within $\pm$ 25% of initial value.																															
$\tan \delta$	Not more than 150%of the specified value.																															
Appearance	There shall be no leakage of electrolyte.																															

Issued-date: 2013-10-7	Name	Specification Sheet – GF		
Version	01		Page	8
STANDARD MANUAL				

4.10	Surge test	<p><b>&lt;Condition&gt;</b>          Applied a surge voltage to the capacitor connected with a <math>(100 \pm 50)/C_R</math> (k<math>\Omega</math>) resistor.          The capacitor shall be submitted to 1000 cycles, each consisting of charge of 30 <math>\pm 5</math>s, followed discharge of 5 min 30s.          The test temperature shall be 15~35°C.  <math>C_R</math> :Nominal Capacitance ( <math>\mu</math> F)</p> <p><b>&lt;Criteria&gt;</b></p> <table border="1" style="width: 100%; border-collapse: collapse;"> <tr> <td style="width: 50%;">Leakage current</td> <td>Not more than the specified value.</td> </tr> <tr> <td>Capacitance Change</td> <td>Within <math>\pm 15\%</math> of initial value.</td> </tr> <tr> <td><math>\tan \delta</math></td> <td>Not more than the specified value.</td> </tr> <tr> <td>Appearance</td> <td>There shall be no leakage of electrolyte.</td> </tr> </table> <p>Attention:          This test simulates over voltage at abnormal situation only. It is not applicable to such over voltage as often applied.</p>	Leakage current	Not more than the specified value.	Capacitance Change	Within $\pm 15\%$ of initial value.	$\tan \delta$	Not more than the specified value.	Appearance	There shall be no leakage of electrolyte.
Leakage current	Not more than the specified value.									
Capacitance Change	Within $\pm 15\%$ of initial value.									
$\tan \delta$	Not more than the specified value.									
Appearance	There shall be no leakage of electrolyte.									
4.11	Vibration test	<p><b>&lt;Condition&gt;</b>          The following conditions shall be applied for 2 hours in each 3 mutually perpendicular directions.</p> <p>Vibration frequency range : 10Hz ~ 55Hz          Peak to peak amplitude : 1.5mm          Sweep rate : 10Hz ~ 55Hz ~ 10Hz in about 1 minute</p> <p>Mounting method:          The capacitor with diameter greater than 12.5mm or longer than 25mm must be fixed in place with a bracket.</p> <div style="text-align: center;">  <p style="text-align: center;">4mm or less      Within 30° To be soldered</p> </div>								

MAN YUE ELECTRONICS COMPANY LIMITED	ELECTROLYTIC CAPACITOR SPECIFICATION GF SERIES	SAMXON	

		<p><b>&lt;Criteria&gt;</b> After the test, the following items shall be tested:</p> <table border="1"> <tr> <td>Inner construction</td> <td>No intermittent contacts, open or short circuiting. No damage of tab terminals or electrodes.</td> </tr> <tr> <td>Appearance</td> <td>No mechanical damage in terminal. No leakage of electrolyte or swelling of the case. The markings shall be legible.</td> </tr> </table>	Inner construction	No intermittent contacts, open or short circuiting. No damage of tab terminals or electrodes.	Appearance	No mechanical damage in terminal. No leakage of electrolyte or swelling of the case. The markings shall be legible.				
Inner construction	No intermittent contacts, open or short circuiting. No damage of tab terminals or electrodes.									
Appearance	No mechanical damage in terminal. No leakage of electrolyte or swelling of the case. The markings shall be legible.									
4.12	Solderability test	<p><b>&lt;Condition&gt;</b> The capacitor shall be tested under the following conditions: Soldering temperature : 245±3°C Dipping depth : 2mm Dipping speed : 25±2.5mm/s Dipping time : 3±0.5s</p> <p><b>&lt;Criteria&gt;</b></p> <table border="1"> <tr> <td>Coating quality</td> <td>A minimum of 95% of the surface being immersed</td> </tr> </table>	Coating quality	A minimum of 95% of the surface being immersed						
Coating quality	A minimum of 95% of the surface being immersed									
4.13	Resistance to solder heat test	<p><b>&lt;Condition&gt;</b> Terminals of the capacitor shall be immersed into solder bath at 260 ± 5 °C for 10 ± 1 seconds or 400 ± 10 °C for 3<sub>-0</sub><sup>+1</sup> seconds to 1.5~2.0mm from the body of capacitor .</p> <p>Then the capacitor shall be left under the normal temperature and normal humidity for 1~2 hours before measurement.</p> <p><b>&lt;Criteria&gt;</b></p> <table border="1"> <tr> <td>Leakage current</td> <td>Not more than the specified value.</td> </tr> <tr> <td>Capacitance Change</td> <td>Within ± 10% of initial value.</td> </tr> <tr> <td>tan δ</td> <td>Not more than the specified value.</td> </tr> <tr> <td>Appearance</td> <td>There shall be no leakage of electrolyte.</td> </tr> </table>	Leakage current	Not more than the specified value.	Capacitance Change	Within ± 10% of initial value.	tan δ	Not more than the specified value.	Appearance	There shall be no leakage of electrolyte.
Leakage current	Not more than the specified value.									
Capacitance Change	Within ± 10% of initial value.									
tan δ	Not more than the specified value.									
Appearance	There shall be no leakage of electrolyte.									

Issued-date: 2013-10-7	Name	Specification Sheet – GF		
Version	01		Page	10
STANDARD MANUAL				

MAN YUE ELECTRONICS COMPANY LIMITED	ELECTROLYTIC CAPACITOR SPECIFICATION GF SERIES	SAMXON	

4.14	Change of temperature test	<p><b>&lt;Condition&gt;</b> Temperature Cycle: According to IEC60384-4No.4.7 methods, capacitor shall be placed in an oven, the condition according as below:</p> <table border="1"> <thead> <tr> <th>Temperature</th> <th>Time</th> </tr> </thead> <tbody> <tr> <td>(1)+20°C</td> <td>≤3 Minutes</td> </tr> <tr> <td>(2)Rated low temperature(-40°C)(-25°C)</td> <td>30±2 Minutes</td> </tr> <tr> <td>(3)Rated high temperature (+105°C)</td> <td>30±2 Minutes</td> </tr> <tr> <td colspan="2">(1) to (3)=1 cycle, total 5 cycle</td> </tr> </tbody> </table> <p><b>&lt;Criteria&gt;</b> The characteristic shall meet the following requirement</p> <table border="1"> <tr> <td>Leakage current</td> <td>Not more than the specified value.</td> </tr> <tr> <td>tan δ</td> <td>Not more than the specified value.</td> </tr> <tr> <td>Appearance</td> <td>There shall be no leakage of electrolyte.</td> </tr> </table>	Temperature	Time	(1)+20°C	≤3 Minutes	(2)Rated low temperature(-40°C)(-25°C)	30±2 Minutes	(3)Rated high temperature (+105°C)	30±2 Minutes	(1) to (3)=1 cycle, total 5 cycle		Leakage current	Not more than the specified value.	tan δ	Not more than the specified value.	Appearance	There shall be no leakage of electrolyte.
Temperature	Time																	
(1)+20°C	≤3 Minutes																	
(2)Rated low temperature(-40°C)(-25°C)	30±2 Minutes																	
(3)Rated high temperature (+105°C)	30±2 Minutes																	
(1) to (3)=1 cycle, total 5 cycle																		
Leakage current	Not more than the specified value.																	
tan δ	Not more than the specified value.																	
Appearance	There shall be no leakage of electrolyte.																	
4.15	Damp heat test	<p><b>&lt;Condition&gt;</b> Humidity Test: According to IEC60384-4No.4.12 methods, capacitor shall be exposed for 500±8 hours in an atmosphere of 90~95%R H .at 40±2°C, the characteristic change shall meet the following requirement.</p> <p><b>&lt;Criteria&gt;</b></p> <table border="1"> <tr> <td>Leakage current</td> <td>Not more than the specified value.</td> </tr> <tr> <td>Capacitance Change</td> <td>Within ±20% of initial value.</td> </tr> <tr> <td>tan δ</td> <td>Not more than 120% of the specified value.</td> </tr> <tr> <td>Appearance</td> <td>There shall be no leakage of electrolyte.</td> </tr> </table>	Leakage current	Not more than the specified value.	Capacitance Change	Within ±20% of initial value.	tan δ	Not more than 120% of the specified value.	Appearance	There shall be no leakage of electrolyte.								
Leakage current	Not more than the specified value.																	
Capacitance Change	Within ±20% of initial value.																	
tan δ	Not more than 120% of the specified value.																	
Appearance	There shall be no leakage of electrolyte.																	

Issued-date: 2013-10-7	Name	Specification Sheet – GF		
Version	01		Page	11
STANDARD MANUAL				

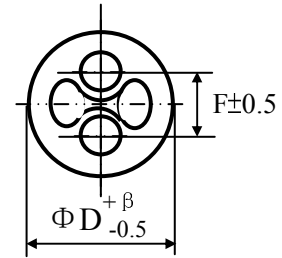
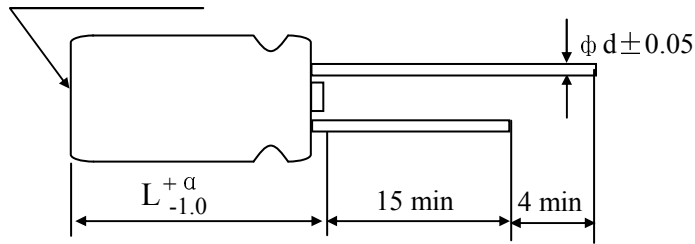
4.16	Vent test	<p><b>&lt;Condition&gt;</b> The following test only apply to those products with vent products at diameter <math>\geq \varnothing 6.3</math> with vent.</p> <p>D.C. test The capacitor is connected with its polarity reversed to a DC power source. Then a current selected from Table 2 is applied.</p> <p><b>&lt;Table 2&gt;</b></p> <table border="1" style="margin-left: auto; margin-right: auto;"> <thead> <tr> <th>Diameter (mm)</th> <th>DC Current (A)</th> </tr> </thead> <tbody> <tr> <td>22.4 or less</td> <td>1</td> </tr> </tbody> </table> <p><b>&lt;Criteria&gt;</b> The vent shall operate with no dangerous conditions such as flames or dispersion of pieces of the capacitor and/or case.</p>	Diameter (mm)	DC Current (A)	22.4 or less	1																																
Diameter (mm)	DC Current (A)																																					
22.4 or less	1																																					
4.17	Maximum permissible (ripple current)	<p><b>&lt;Condition&gt;</b> The maximum permissible ripple current is the maximum A.C current at 100kHz and can be applied at maximum operating temperature Table-3 The combined value of D.C voltage and the peak A.C voltage shall not exceed the rated voltage and shall not reverse voltage.</p> <p>Frequency Multipliers:</p> <table border="1" style="margin-left: auto; margin-right: auto;"> <thead> <tr> <th rowspan="2">Coefficient Cap. (<math>\mu</math> F)</th> <th>Freq. (Hz)</th> <th>120</th> <th>1k</th> <th>10k</th> <th>100k</th> </tr> </thead> <tbody> <tr> <td>~180</td> <td></td> <td>0.40</td> <td>0.75</td> <td>0.90</td> <td>1.00</td> </tr> <tr> <td>220~560</td> <td></td> <td>0.50</td> <td>0.85</td> <td>0.94</td> <td>1.00</td> </tr> <tr> <td>680~1800</td> <td></td> <td>0.60</td> <td>0.87</td> <td>0.95</td> <td>1.00</td> </tr> <tr> <td>2200~3900</td> <td></td> <td>0.75</td> <td>0.90</td> <td>0.95</td> <td>1.00</td> </tr> <tr> <td>4700</td> <td></td> <td>0.85</td> <td>0.95</td> <td>0.98</td> <td>1.00</td> </tr> </tbody> </table>	Coefficient Cap. ( $\mu$ F)	Freq. (Hz)	120	1k	10k	100k	~180		0.40	0.75	0.90	1.00	220~560		0.50	0.85	0.94	1.00	680~1800		0.60	0.87	0.95	1.00	2200~3900		0.75	0.90	0.95	1.00	4700		0.85	0.95	0.98	1.00
Coefficient Cap. ( $\mu$ F)	Freq. (Hz)	120		1k	10k	100k																																
	~180		0.40	0.75	0.90	1.00																																
220~560		0.50	0.85	0.94	1.00																																	
680~1800		0.60	0.87	0.95	1.00																																	
2200~3900		0.75	0.90	0.95	1.00																																	
4700		0.85	0.95	0.98	1.00																																	

### 5. Product Dimensions, Impedance & Maximum Permissible Ripple Current

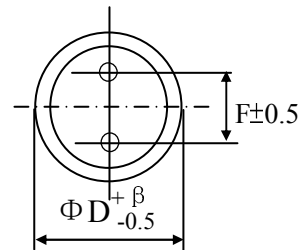
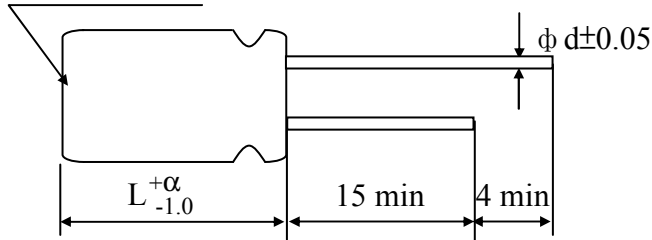
RR Type

Unit: mm

Safety vent for  $\geq \Phi 6.3$



Safety vent for  $\geq \phi 6.3$



<b><math>\Phi D</math></b>	5	6.3	8	10	12.5
<b>F</b>	2.0	2.5	3.5	5.0	5.0
<b><math>\phi d</math></b>	0.5	0.5	$L < 20: 0.5, L \geq 20: 0.6$		0.6
<b><math>\alpha</math></b>	$L < 20 : \alpha = 1.5;$		$L \geq 20 : \alpha = 2.0$		
<b><math>\beta</math></b>	$\Phi D < 20: \beta = 0.5;$		$\Phi D \geq 20: \beta = 1.0$		

<b>MAN YUE ELECTRONICS COMPANY LIMITED</b>	<i>ELECTROLYTIC CAPACITOR SPECIFICATION GF SERIES</i>	<b>SAMXON</b>	

Table 3

Voltage (Code)		6.3V(0J)		
Cap. (μF)	Code	Case size φ D×L(mm)	Ripple Current (mA rms)	Impedance (Ω)
180	187	6.3x11	340	0.220
220	227	6.3x11	340	0.220
270	277	6.3x11	340	0.220
330	337	6.3x11	340	0.220
		8x12	640	0.130
390	397	8x12	640	0.130
470	477	8x12	640	0.130
560	567	8x12	640	0.130
680	687	8x12	640	0.130
820	827	8x12	640	0.130
		10x12.5	865	0.080
1000	108	8x12	640	0.130
		10x12.5	865	0.080
1200	128	8x16	840	0.087
		10x12.5	865	0.080
1500	158	8x20	1050	0.069
		10x16	1210	0.060
1800	188	10x20	1400	0.046
2200	228	10x20	1400	0.046
2700	278	10x25	1650	0.042
		12.5x20	1900	0.035
3300	338	10x25	1650	0.042
		12.5x20	1900	0.035
3900	398	12.5x20	1900	0.035
4700	478	12.5x25	2124	0.030

Max Allowable Ripple Current:105°C,100kHz Impedance:20°C,100kHz

Issued-date: 2013-10-7	Name	Specification Sheet – GF		
Version	01		Page	14
STANDARD MANUAL				

<b>MAN YUE ELECTRONICS COMPANY LIMITED</b>	<i>ELECTROLYTIC CAPACITOR SPECIFICATION GF SERIES</i>	<b>SAMXON</b>	

Voltage (Code)		10V(1A)		
Cap. (μF)	Code	Case size	Ripple Current	Impedance
		φ D×L(mm)	(mA rms)	(Ω)
150	157	6.3x11	340	0.220
180	187	6.3x11	340	0.220
220	227	6.3x11	340	0.220
270	277	6.3x11	340	0.220
		8x12	640	0.130
330	337	6.3x11	340	0.220
		8x12	640	0.130
390	397	8x12	640	0.130
470	477	8x12	640	0.130
560	567	8x12	640	0.130
680	687	8x12	640	0.130
820	827	10x12.5	865	0.080
1000	108	8x16	840	0.087
		10x16	1210	0.060
1200	128	10x20	1400	0.046
1500	158	10x20	1400	0.046
1800	188	10x20	1400	0.046
2200	228	10x20	1400	0.046
2700	278	10x25	1650	0.042
		12.5x20	1900	0.035
3300	338	12.5x25	2124	0.030

Max Allowable Ripple Current:105°C,100kHz Impedance:20°C,100kHz

Issued-date: 2013-10-7	Name	Specification Sheet – GF		
Version	01		Page	15
STANDARD MANUAL				



<b>MAN YUE ELECTRONICS COMPANY LIMITED</b>	<i>ELECTROLYTIC CAPACITOR SPECIFICATION GF SERIES</i>	<b>SAMXON</b>	

Voltage (Code)		16V(1C)		
Cap. (μF)	Code	Case size φ D×L(mm)	Ripple Current (mA rms)	Impedance (Ω)
47		5X11	210	0.580
100	107	6.3x11	340	0.220
120	127	6.3x11	340	0.220
150	157	6.3x11	340	0.220
		8x12	640	0.130
180	187	6.3x11	340	0.220
		8x12	640	0.130
220	227	6.3x11	340	0.220
		8x12	640	0.130
270	277	8x12	640	0.130
330	337	8x12	640	0.130
390	397	8x12	640	0.130
470	477	8x12	640	0.130
		10x12.5	865	0.080
560	567	10x12.5	865	0.080
680	687	8x16	840	0.087
		10x12.5	865	0.080
820	827	10x16	1210	0.060
1000	108	10x16	1210	0.060
1200	128	10x20	1400	0.046
1500	158	10x20	1400	0.046
1800	188	10x25	1650	0.042
		12.5x20	1900	0.035
2200	228	12.5x20	1900	0.035
2700	278	12.5x25	2124	0.030

Max Allowable Ripple Current:105℃,100kHz Impedance:20℃,100kHz

Issued-date: 2013-10-7	Name	Specification Sheet – GF		
Version	01		Page	16
STANDARD MANUAL				

<b>MAN YUE ELECTRONICS COMPANY LIMITED</b>	<i>ELECTROLYTIC CAPACITOR SPECIFICATION GF SERIES</i>	<b>SAMXON</b>	

Voltage (Code)		25V(1E)		
Cap. (μF)	Code	Case size φD×L(mm)	Ripple Current (mA rms)	Impedance (Ω)
82	826	6.3x11	340	0.220
100	107	6.3x11	340	0.220
120	127	8x12	640	0.130
150	157	8x12	640	0.130
180	187	8x12	640	0.130
220	227	6.3X11	340	0.220
		8x12	640	0.130
270	277	8x12	640	0.130
		10x12.5	865	0.080
330	337	8x12	640	0.130
		8X16	840	0.087
		10x12.5	865	0.080
390	397	10x12.5	865	0.080
470	477	8x16	840	0.087
		10x12.5	865	0.080
560	567	10x16	1210	0.060
680	687	10x16	1210	0.060
820	827	10x20	1400	0.046
1000	108	10x20	1400	0.046
1200	128	10x20	1400	0.046
1500	158	10x25	1650	0.042
		12.5x20	1900	0.035
1800	188	12.5x25	2124	0.030
2200	228	12.5x25	2124	0.030

Max Allowable Ripple Current:105℃,100kHz Impedance:20℃,100kHz

Issued-date: 2013-10-7	Name	Specification Sheet – GF		
Version	01		Page	17
STANDARD MANUAL				

<b>MAN YUE ELECTRONICS COMPANY LIMITED</b>	<i>ELECTROLYTIC CAPACITOR SPECIFICATION GF SERIES</i>	<b>SAMXON</b>	

Voltage (Code)		35V(1V)		
Cap. (μF)	Code	Case size	Ripple Current	Impedance
		φ D×L(mm)	(mA rms)	(Ω)
33	336	5X11	210	0.580
47	476	6.3x11	340	0.220
56	566	6.3x11	340	0.220
68	686	6.3x11	340	0.220
82	826	8x12	640	0.130
100	107	8x12	640	0.130
120	127	8x12	640	0.130
150	157	8x12	640	0.130
180	187	10x12.5	865	0.080
220	227	8x12	640	0.130
		8x16	840	0.087
		10x12.5	865	0.080
270	277	10x16	1210	0.060
330	337	8x20	1050	0.069
		10x12.5	865	0.080
		10x16	1210	0.060
390	397	10x16	1210	0.060
470	477	10x16	1210	0.060
560	567	10x20	1400	0.046
680	687	10x20	1400	0.046
820	827	10x25	1650	0.042
		12.5x20	1900	0.035
1000	108	12.5x20	1900	0.035
		12.5x25	2124	0.030

Max Allowable Ripple Current:105°C,100kHz Impedance:20°C,100kHz

Issued-date: 2013-10-7	Name	Specification Sheet – GF		
Version	01		Page	18
STANDARD MANUAL				

<b>MAN YUE ELECTRONICS COMPANY LIMITED</b>	<i>ELECTROLYTIC CAPACITOR SPECIFICATION GF SERIES</i>	<b>SAMXON</b>	

Voltage (Code)		50V(1H)		
Cap. (μF)	Code	Case size	Ripple Current	Impedance
		φD×L(mm)	(mA rms)	(Ω)
106	106	5X11	100	1.500
33	336	6.3x11	295	0.300
39	396	6.3x11	295	0.300
47	476	6.3x11	295	0.300
56	566	8x12	555	0.170
68	686	8x12	555	0.170
82	826	8x12	555	0.170
100	107	10x12.5	760	0.120
120	127	8x16	730	0.120
		10x12.5	760	0.120
150	157	10x16	1050	0.084
180	187	8x20	910	0.091
		10x16	1050	0.084
270	277	10x25	1440	0.055
330	337	12.5x20	1660	0.045
390	397	12.5x20	1660	0.045
470	477	12.5x25	1950	0.034
560	567	12.5x25	1950	0.034

Max Allowable Ripple Current:105°C,100kHz; Impedance:20°C,100kHz

Issued-date: 2013-10-7	Name	Specification Sheet – GF		
Version	01		Page	19
STANDARD MANUAL				

<b>MAN YUE ELECTRONICS COMPANY LIMITED</b>	<i>ELECTROLYTIC CAPACITOR SPECIFICATION GF SERIES</i>	<b>SAMXON</b>	

Voltage (Code)		63V(1J)		
Cap.( $\mu$ F)	Code	Case size $\phi$ D $\times$ L(mm)	Ripple Current (mA rms)	Impedance ( $\Omega$ )
22	226	6.3x11	115	0.960
27	276	6.3x11	115	0.960
33	336	6.3x11	115	0.960
39	396	8x12	232	0.504
47	476	8x12	232	0.504
56	566	8x12	232	0.504
68	686	8x12	232	0.504
82	826	10x12.5	314	0.344
100	107	8x16	300	0.360
		10x12.5	314	0.344
120	127	10x16	357	0.248
150	157	8x20	362	0.264
180	187	10x20	466	0.168
220	227	10x20	466	0.168
270	277	12.5x20	690	0.128
330	337	12.5x20	690	0.128
390	397	12.5x25	922	0.096

Max Allowable Ripple Current:105 $^{\circ}$ C,100kHz; Impedance:20 $^{\circ}$ C,100kHz

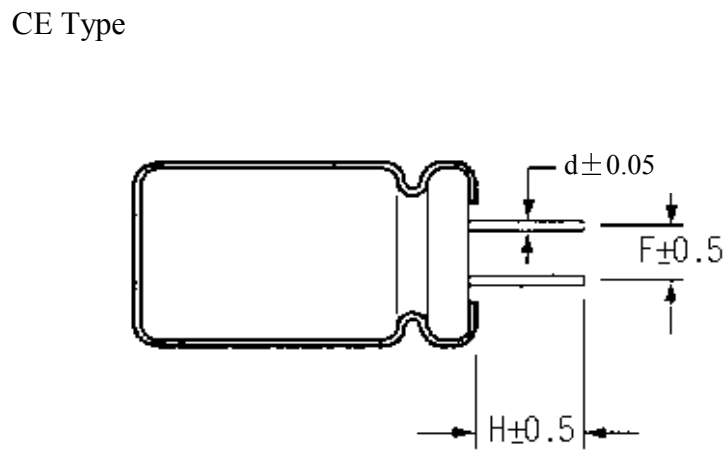
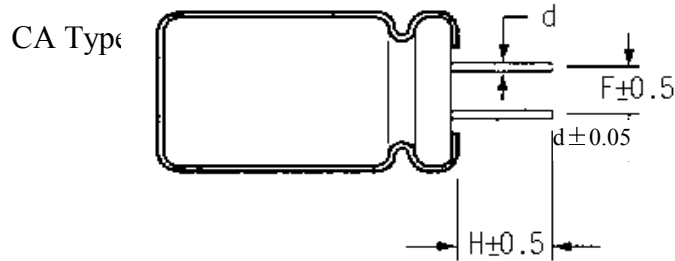
Voltage (Code)		100V(2A)		
Cap.( $\mu$ F)	Code	Case size $\phi$ D $\times$ L(mm)	Ripple Current (mA)	Impedance ( $\Omega$ )
15	156	6.3x11	115	0.960
27	276	8x12	232	0.504
39	396	8x16	300	0.360
47	476	10x12.5	314	0.344
56	566	8x20	362	0.264
68	686	10x16	357	0.248
82	826	10x20	466	0.168
100	107	10x20	466	0.168
120	127	12.5x20	690	0.128
180	187	12.5x25	922	0.096
220	227	12.5x25	922	0.096

Max Allowable Ripple Current:105 $^{\circ}$ C,100kHz; Impedance:20 $^{\circ}$ C,100kHz

Issued-date: 2013-10-7	Name	Specification Sheet – GF		
Version	01		Page	20
<b>STANDARD MANUAL</b>				

**Unit: mm**

Shape Code	$\phi D$	$\phi 5$	$\phi 6.3$	$\phi 8$	$\phi 10$	$\phi 12.5$
CA	F	2.0	2.5	3.5	5.0	5.0
	H	3.0	3.0	3.0	3.0	3.0
	d	0.5	0.5	0.5/0.6	0.6	0.6
CE	F	2.0	2.5	3.5	5.0	5.0
	H	5.0	5.0	5.0	5.0	5.0
	d	0.5	0.5	0.5/0.6	0.6	0.6

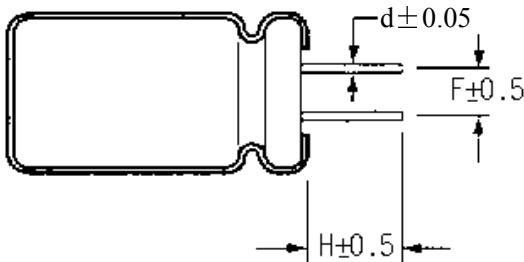


**6. Forming Dimension**

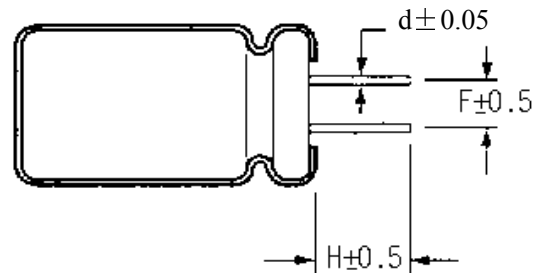
**Unit: mm**

Shape Code	φ D	φ 5	φ 6.3	φ 8	φ 10	φ 12.5
CB	F	2.0	2.5	3.5	5.0	5.0
	H	3.5	3.5	3.5	3.5	3.5
	d	0.5	0.5	0.5/0.6	0.6	0.6
CC	F	5.0	5.0	5.0	5.0	5.0
	H	4.0	4.0	4.0	4.0	4.0
	d	0.5	0.5	0.5/0.6	0.6	0.6
FD	F	5.0	5.0	5.0	-----	-----
	H1	4.5	4.5	4.5	-----	-----
	H2	2.0	2.0	2.0	-----	-----
	d	0.5	0.5	0.5/0.6	-----	-----
KD	F	-----	-----	-----	5.0	5.0
	H1	-----	-----	-----	4.5	4.5
	H2	-----	-----	-----	2.0	2.0
	d	-----	-----	-----	0.6	0.6

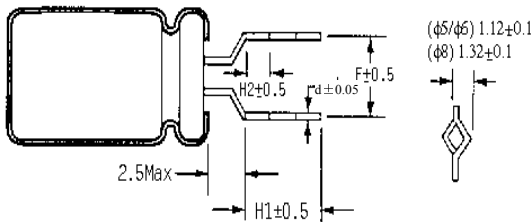
CB Type



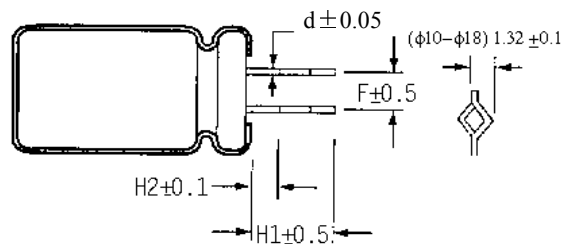
CC Type



FD Type



KD Type



Issued-date: 2013-10-7

Name

Specification Sheet – GF

Version

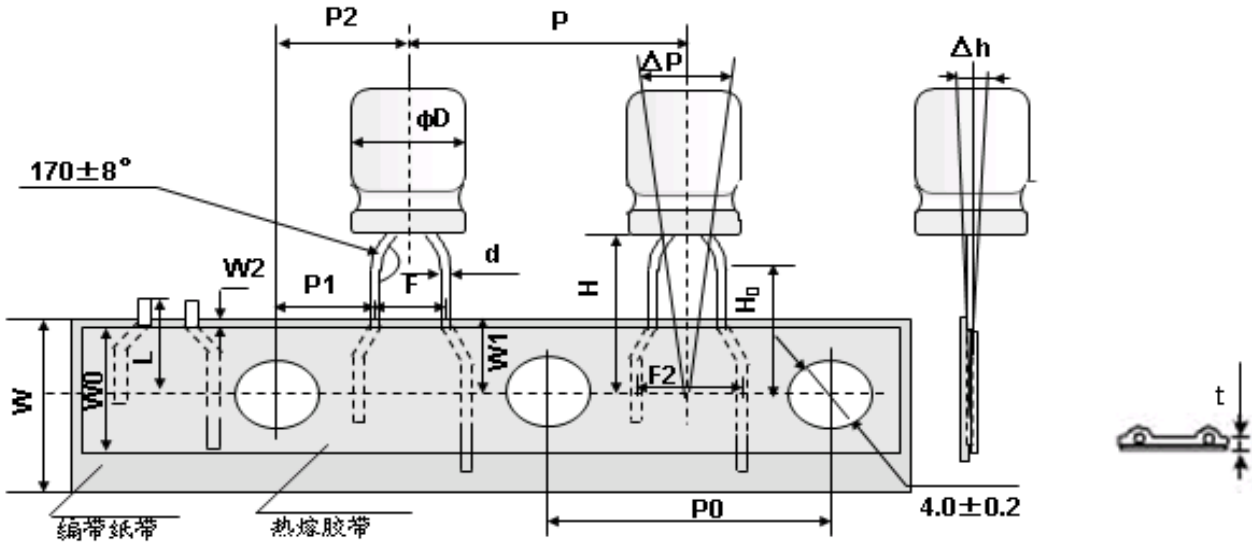
01

Page

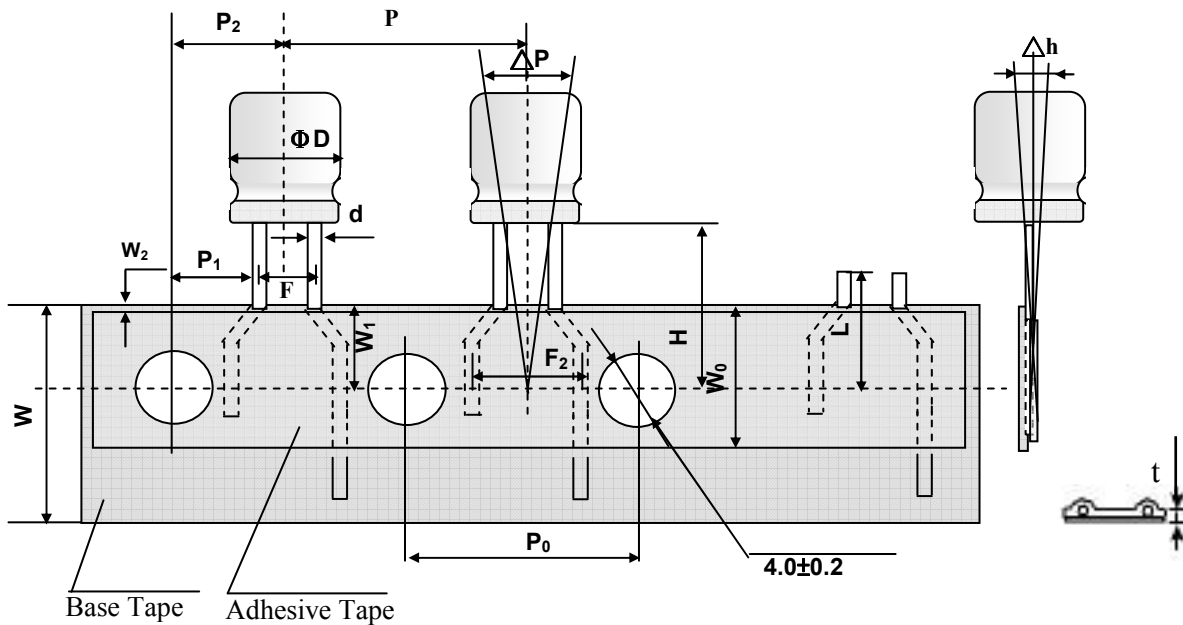
22

**7. Taping Specification**

**Fig-1  $\Phi 5$  F=2.5mm(TU) ;**



**Fig-2 for  $\Phi 5$  F=2.0(TT) ;  $\Phi 6.3$  F=2.5(TU);  $\Phi 8 \times 5$  F=2.5(TU);  $\Phi 8 \times 7 \sim 20$  F=3.5mm(TV)**



Issued-date: 2013-10-7		Name		Specification Sheet – GF	
Version		01		Page	23
STANDARD MANUAL					



Fig-3 for  $\Phi 10$  F=5.0(TC) ;  $\Phi 12.5$  F=5.0(TC);

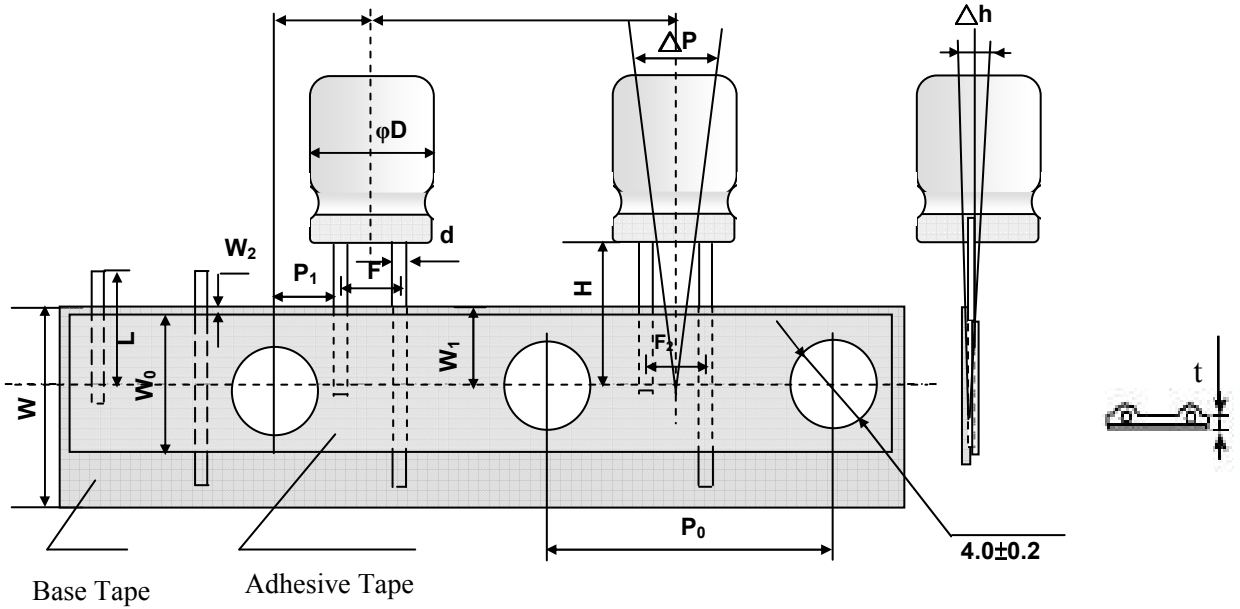
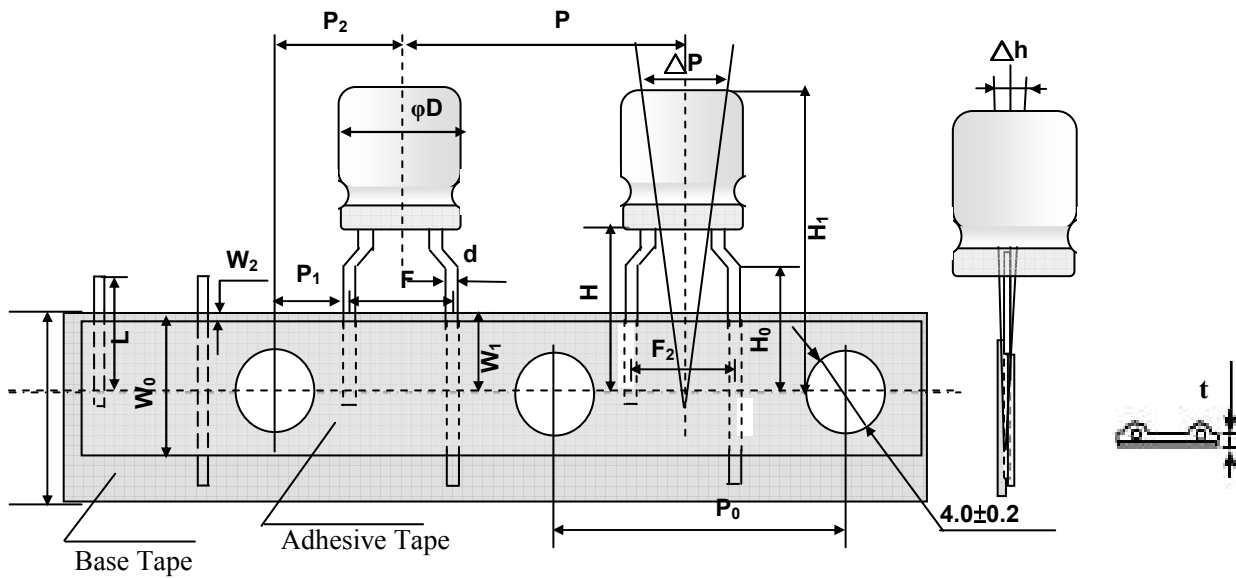


Fig-4 for  $\Phi 5\sim 8$  F=5.0(TC) ;  $\Phi 8$  F=5.0(TE);



Issued-date: 2013-10-7

Name

Specification Sheet – GF

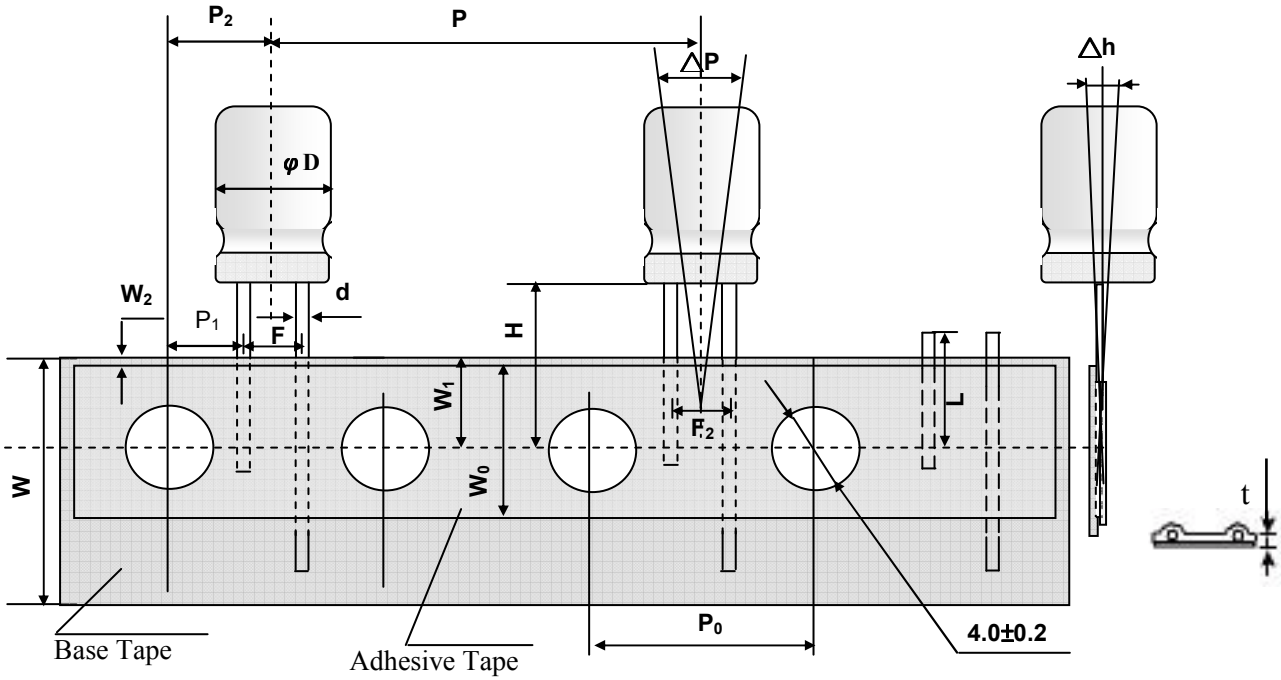
Version

01

Page

24

Fig-5 for  $\Phi 16\sim 18$  F=7.5(TQ) ;



Issued-date: 2013-10-7

Name

Specification Sheet – GF

Version

01

Page

25

<b>MAN YUE ELECTRONICS COMPANY LIMITED</b>	<i>ELECTROLYTIC CAPACITOR SPECIFICATION GF SERIES</i>	<b>SAMXON</b>	

Remark: Maximum Taping Dimension: 18mm Diameter										Unit: mm		
Item	Code	TT	TU			TV	TC				TE	TQ
			5	6.3	8		5 / 6.3	8	10	12.5		
Diameter	D	5	5	6.3	8	5 / 6.3	8	10	12.5	8	16/18	
Height	A	5~15	9~15	9~15	10~20	9~15	10~20	9~30	15~35	10~20	15~40	
Lead Diameter	d±0.05	0.45/0.5	0.5	0.5	0.5	0.5	0.5/0.6	0.6	0.6	0.5/0.6	0.8	
Component Spacing	P±1.0	12.7	12.7	12.7	12.7	12.7	12.7	12.7	15	12.7	30	
Pitch of sprocket holes	P <sub>0</sub> ±0.2	12.7	12.7	12.7	12.7	12.7	12.7	12.7	15	12.7	15	
Distance between centers of terminal	P <sub>1</sub> ±0.5	5.1	5.1	5.1	4.6	3.85	3.85	3.85	5.0	3.85	3.75	
Feed hole center to component center	P <sub>2</sub> ±1.0	6.35							7.5	6.35	7.5	
Distance between centers of component leads	F <sub>1</sub> <sup>+0.8</sup> <sub>-0.5</sub>	2.0	2.5	2.5	3.5	5.0	5.0	5.0	5.0	5.0	7.5	
Distance between centers of component leads Adhesive Tape cover	F <sub>2</sub> <sup>+0.8</sup> <sub>-0.5</sub>	3.5	2.5	3.5	5.0	5.0	5.0	5.0	5.0	5.0	7.5	
Carrier tape width	W <sub>0</sub> <sup>+1</sup> <sub>-0.5</sub>	18	18	18	18	18	18	18	18	18	18	
Hold down tape width	W <sub>0</sub>	7min							12min	7min	12min	
Distance between the center of upper edge of carrier tape and sprocket hole	W <sub>1</sub> ±0.5	9										
Distance between the upper edges of the carrier tape and the hold down tape	W <sub>2</sub>	3max										
Distance between the abscissa and the bottom of the components body	H <sub>1</sub> <sup>+0.75</sup> <sub>-0.5</sub>	18.5	18.5	18.5	18.5	18.5	20.0	18.5	18.5	18.5	18.5	
Distance between the abscissa and the reference plane of the components with crimped leads	H <sub>0</sub> ±0.5	----	----	----	----	16	16	----	----	16	----	
Cut off position of defectives	L	11 max										
Max. lateral deviation of the component body vertical to the tape plane	Δh	2 max										
Max. deviation of the component body in the tape plane	ΔP	1.3 max										

Issued-date: 2013-10-7	Name	Specification Sheet – GF		
Version	01		Page	26
STANDARD MANUAL				

MAN YUE ELECTRONICS COMPANY LIMITED	ELECTROLYTIC CAPACITOR SPECIFICATION GF SERIES	SAMXON	

### 8. List of “Environment-related Substances to be Controlled (‘Controlled Substances’)”

The latest version of <Substances Prohibited as per Sony-SS-00259>

Substances	
Heavy metals	Cadmium and cadmium compounds
	Lead and lead compounds
	Mercury and mercury compounds
	Hexavalent chromium compounds
Chlorinated organic compounds	Polychlorinated biphenyls (PCB)
	Polychlorinated naphthalenes (PCN)
	Polychlorinated terphenyls (PCT)
	Short-chain chlorinated paraffins(SCCP)
	Other chlorinated organic compounds
Brominated organic compounds	Polybrominated biphenyls (PBB)
	Polybrominated diphenylethers(PBDE) (including decabromodiphenyl ether[DecaBDE])
	Other brominated organic compounds
Tributyltin compounds(TBT)	
Triphenyltin compounds(TPT)	
Asbestos	
Specific azo compounds	
Formaldehyde	
Beryllium oxide	
Beryllium copper	
Specific phthalates (DEHP, DBP, BBP, DINP, DIDP, DNOP, DNHP)	
Hydrofluorocarbon (HFC), Perfluorocarbon (PFC)	
Perfluorooctane sulfonates (PFOS)	
Specific Benzotriazole	

Issued-date: 2013-10-7	Name	Specification Sheet – GF		
Version	01	Page	27	
STANDARD MANUAL				

MAN YUE ELECTRONICS COMPANY LIMITED	ELECTROLYTIC CAPACITOR SPECIFICATION GF SERIES	SAMXON	

## Attachment: Application Guidelines

### 1.Circuit Design

#### 1.1 Operating Temperature and Frequency

Electrolytic capacitor electrical parameters are normally specified at 20°C temperature and 120Hz frequency. These parameters vary with changes in temperature and frequency. Circuit designers should take these changes into consideration.

- (1) Effects of operating temperature on electrical parameters
  - a) At higher temperatures, leakage current and capacitance increase while equivalent series resistance (ESR) decreases.
  - b) At lower temperatures, leakage current and capacitance decrease while equivalent series resistance (ESR) increases.
- (2) Effects of frequency on electrical parameters
  - a) At higher frequencies capacitance and impedance decrease while  $\tan \delta$  increases.
  - b) At lower frequencies, ripple current generated heat will rise due to an increase in equivalent series resistance (ESR).

#### 1.2 Operating Temperature and Life Expectancy

See the file: Life calculation of aluminum electrolytic capacitor

#### 1.3 Common Application Conditions to Avoid

The following misapplication load conditions will cause rapid deterioration to capacitor electrical parameters. In addition, rapid heating and gas generation within the capacitor can occur causing the pressure relief vent to operate and resultant leakage of electrolyte. Under Leaking electrolyte is combustible and electrically conductive.

Issued-date: 2013-10-7	Name	Specification Sheet – GF		
Version	01		Page	28
STANDARD MANUAL				

<b>MAN YUE ELECTRONICS COMPANY LIMITED</b>	<i>ELECTROLYTIC CAPACITOR SPECIFICATION GF SERIES</i>	<b>SAMXON</b>	

(1) Reverse Voltage

DC capacitors have polarity. Verify correct polarity before insertion. For circuits with changing or uncertain polarity, use DC bipolar capacitors. DC bipolar capacitors are not suitable for use in AC circuits.

(2) Charge / Discharge Applications

Standard capacitors are not suitable for use in repeating charge / discharge applications. For charge / discharge applications consult us and advise actual conditions.

(3) Over voltage

Do not apply voltages exceeding the maximum specified rated voltage. Voltages up to the surge voltage rating are acceptable for short periods of time. Ensure that the sum of the DC voltage and the superimposed AC ripple voltage does not exceed the rated voltage.

(4) Ripple Current

Do not apply ripple currents exceeding the maximum specified value. For high ripple current applications, use a capacitor designed for high ripple currents or contact us with your requirements.

Ensure that allowable ripple currents superimposed on low DC bias voltages do not cause reverse voltage conditions.

1.4 Using Two or More Capacitors in Series or Parallel

(1) Capacitors Connected in Parallel

The circuit resistance can closely approximate the series resistance of the capacitor causing an imbalance of ripple current loads within the capacitors. Careful design of wiring methods can minimize the possibility of excessive ripple currents applied to a capacitor.

(2) Capacitors Connected in Series

Normal DC leakage current differences among capacitors can cause voltage imbalances. The use of voltage divider shunt resistors with consideration to leakage current can prevent capacitor voltage imbalances.

1.5 Capacitor Mounting Considerations

(1) Double Sided Circuit Boards

Avoid wiring pattern runs, which pass between the mounted capacitor and the circuit board.

When dipping into a solder bath, excess solder may collect under the capacitor by capillary action and short circuit the anode and cathode terminals.

(2) Circuit Board Hole Positioning

The vinyl sleeve of the capacitor can be damaged if solder passes through a lead hole for subsequently processed parts. Special care when locating hole positions in proximity to capacitors is recommended.

(3) Circuit Board Hole Spacing

The circuit board holes spacing should match the capacitor lead wire spacing within the specified tolerances.

Incorrect spacing can cause excessive lead wire stress during the insertion process. This may result in premature capacitor failure due to short or open circuit, increased leakage current, or electrolyte leakage.

Issued-date: 2013-10-7	Name	Specification Sheet – GF		
Version	01		Page	29
<b>STANDARD MANUAL</b>				

<b>MAN YUE ELECTRONICS COMPANY LIMITED</b>	<i>ELECTROLYTIC CAPACITOR SPECIFICATION GF SERIES</i>	<b>SAMXON</b>	

(4) Clearance for Case Mounted Pressure Relief vents

Capacitors with case mounted pressure relief vents require sufficient clearance to allow for proper vent operation. The minimum clearances are dependent on capacitor diameters as proper vent operation. The minimum clearances are dependent on capacitor diameters as follows.

$\phi$  6.3~ $\phi$  16mm:2mm minimum,  $\phi$  18~ $\phi$  35mm:3mm minimum,  $\phi$  40mm or greater:5mm minimum.

(5) Clearance for Seal Mounted Pressure Relief Vents

A hole in the circuit board directly under the seal vent location is required to allow proper release of pressure.

(6) Wiring Near the Pressure Relief Vent

Avoid locating high voltage or high current wiring or circuit board paths above the pressure relief vent. Flammable, high temperature gas exceeding 100°C may be released which could dissolve the wire insulation and ignite.

(7) Circuit Board patterns Under the Capacitor

Avoid circuit board runs under the capacitor as electrolyte leakage could cause an electrical short.

(8) Screw Terminal Capacitor Mounting

Do not orient the capacitor with the screw terminal side of the capacitor facing downwards.

Tighten the terminal and mounting bracket screws within the torque range specified in the specification.

1.6 Electrical Isolation of the Capacitor

Completely isolate the capacitor as follows.

- (1) Between the cathode and the case (except for axially leaded B types) and between the anode terminal and other circuit paths
- (2) Between the extra mounting terminals (on T types) and the anode terminal, cathode terminal, and other circuit paths.

1.7 The Product endurance should take the sample as the standard.

1.8 If conduct the load or shelf life test, must be collect date code within 6 months products of sampling.

1.9 Capacitor Sleeve

The vinyl sleeve or laminate coating is intended for marking and identification purposes and is not meant to electrically insulate the capacitor.

The sleeve may split or crack if immersed into solvents such as toluene or xylene, and then exposed to high temperatures.

**CAUTION!**

Always consider safety when designing equipment and circuits. Plan for worst case failure modes such as short circuits and open circuits which could occur during use.

- (1) Provide protection circuits and protection devices to allow safe failure modes.
- (2) Design redundant or secondary circuits where possible to assure continued operation in case of main circuit failure.

Issued-date: 2013-10-7	Name	Specification Sheet – GF		
Version	01		Page	30
<b>STANDARD MANUAL</b>				

MAN YUE ELECTRONICS COMPANY LIMITED	ELECTROLYTIC CAPACITOR SPECIFICATION GF SERIES	SAMXON	

## 2.Capacitor Handling Techniques

### 2.1 Considerations Before Using

- (1) Capacitors have a finite life. Do not reuse or recycle capacitors from used equipment.
- (2) Transient recovery voltage may be generated in the capacitor due to dielectric absorption. If required, this voltage can be discharged with a resistor with a value of about  $1k\ \Omega$ .
- (3) Capacitors stored for long periods of time may exhibit an increase in leakage current. This can be corrected by gradually applying rated voltage in series with a resistor of approximately  $1k\ \Omega$ .
- (4) If capacitors are dropped, they can be damaged mechanically or electrically. Avoid using dropped capacitors.
- (5) Dented or crushed capacitors should not be used. The seal integrity can be compromised and loss of electrolyte / shortened life can result.

### 2.2 Capacitor Insertion

- \* (1) Verify the correct capacitance and rated voltage of the capacitor.
- \* (2) Verify the correct polarity of the capacitor before inserting.
- \* (3) Verify the correct hole spacing before insertion (land pattern size on chip type) to avoid stress on the terminals.
- (4) Ensure that the auto insertion equipment lead clinching operation does not stress the capacitor leads where they enter the seal of the capacitor.

For chip type capacitors, excessive mounting pressure can cause high leakage current, short circuit, or disconnection.

### 2.3 Manual Soldering

- (1) Observe temperature and time soldering specifications or do not exceed temperatures of  $400\ ^\circ\text{C}$  for 3 seconds or less.
- (2) If lead wires must be formed to meet terminal board hole spacing, avoid stress on the lead wire where it enters the capacitor seal.
- (3) If a soldered capacitor must be removed and reinserted, avoid excessive stress to the capacitor leads.
- (4) Avoid touching the tip of the soldering iron to the capacitor, to prevent melting of the vinyl sleeve.

### 2.4 Flow Soldering

- (1) Do not immerse the capacitor body into the solder bath as excessive internal pressure could result.
- (2) Observe proper soldering conditions (temperature, time, etc.) Do not exceed the specified limits.
- (3) Do not allow other parts or components to touch the capacitor during soldering.

### 2.5 Other Soldering Considerations

Rapid temperature rises during the preheat operation and resin bonding operation can cause cracking of the capacitor vinyl sleeve.

For heat curing, do not exceed  $150\ ^\circ\text{C}$  for a maximum time of 2 minutes.

Issued-date: 2013-10-7	Name	Specification Sheet – GF		
Version	01		Page	31
STANDARD MANUAL				



<b>MAN YUE ELECTRONICS COMPANY LIMITED</b>	<i>ELECTROLYTIC CAPACITOR SPECIFICATION GF SERIES</i>	<b>SAMXON</b>	

### 2.6 Capacitor Handling after Solder

- (1). Avoid movement of the capacitor after soldering to prevent excessive stress on the lead wires where they enter the seal.
- (2). Do not use capacitor as a handle when moving the circuit board assembly.
- (3). Avoid striking the capacitor after assembly to prevent failure due to excessive shock.

### 2.7 Circuit Board Cleaning

- \* (1) Circuit boards can be immersed or ultrasonically cleaned using suitable cleaning solvents for up to 5 minutes and up to 60°C maximum temperatures. The boards should be thoroughly rinsed and dried.  
The use of ozone depleting cleaning agents is not recommended in the interest of protecting the environment.
- \* (2) Avoid using the following solvent groups unless specifically allowed for in the specification;
  - Halogenated cleaning solvents: except for solvent resistant capacitor types, halogenated solvents can permeate the seal and cause internal capacitor corrosion and failure. For solvent resistant capacitors, carefully follow the temperature and time requirements of the specification. 1-1-1 trichloroethane should never be used on any aluminum electrolytic capacitor.
  - Alkali solvents : could attack and dissolve the aluminum case.
  - Petroleum based solvents: deterioration of the rubber seal could result.
  - Xylene : deterioration of the rubber seal could result.
  - Acetone : removal of the ink markings on the vinyl sleeve could result.
- \* (3) A thorough drying after cleaning is required to remove residual cleaning solvents which may be trapped between the capacitor and the circuit board. Avoid drying temperatures, which exceed the maximum rated temperature of the capacitor.
- \* (4) Monitor the contamination levels of the cleaning solvents during use by electrical conductivity, pH, specific gravity, or water content. Chlorine levels can rise with contamination and adversely affect the performance of the capacitor.  
Please consult us for additional information about acceptable cleaning solvents or cleaning methods.

### 2.8 Mounting Adhesives and Coating Agents

When using mounting adhesives or coating agents to control humidity, avoid using materials containing halogenated solvents. Also, avoid the use of chloroprene based polymers.

After applying adhesives or coatings, dry thoroughly to prevent residual solvents from being trapped between the capacitor and the circuit board.

## 3. Precautions for using capacitors

### 3.1 Environmental Conditions

Capacitors should not be stored or used in the following environments.

- \* (1) Temperature exposure above the maximum rated or below the minimum rated temperature of the capacitor.
- \* (2) Direct contact with water, salt water, or oil.
- \* (3) High humidity conditions where water could condense on the capacitor.

Issued-date: 2013-10-7	Name	Specification Sheet – GF		
Version	01		Page	32
STANDARD MANUAL				

<b>MAN YUE ELECTRONICS COMPANY LIMITED</b>	<i>ELECTROLYTIC CAPACITOR SPECIFICATION GF SERIES</i>	<b>SAMXON</b>	

- \* (4) Exposure to toxic gases such as hydrogen sulfide, sulfuric acid, nitric acid chlorine, or ammonia.
- \* (5) Exposure to ozone, radiation, or ultraviolet rays.
- \* (6) Vibration and shock conditions exceeding specified requirements.

### 3.2 Electrical Precautions

- (1) Avoid touching the terminals of the capacitor as possible electric shock could result. The exposed aluminum case is not insulated and could also cause electric shock if touched.
- (2) Avoid short circuit the area between the capacitor terminals with conductive materials including liquids such as acids or alkaline solutions.

## 4. Emergency Procedures

- (1) If the pressure relief vent of the capacitor operates, immediately turn off the equipment and disconnect from the power source. This will minimize additional damage caused by the vaporizing electrolyte.
- (2) Avoid contact with the escaping electrolyte gas which can exceed 100°C temperatures.  
If electrolyte or gas enters the eye, immediately flush the eyes with large amounts of water.  
If electrolyte or gas is ingested by mouth, gargle with water.  
If electrolyte contacts the skin, wash with soap and water.

## 5. Long Term Storage

Leakage current of a capacitor increases with long storage times. The aluminum oxide film deteriorates as a function of temperature and time. If used without reconditioning, an abnormally high current will be required to restore the oxide film. This current surge could cause the circuit or the capacitor to fail.

After one year, a capacitor should be reconditioned by applying rated voltage in series with a 1000 Ω ,current limiting resistor for a time period of 30 minutes .

If the expired date of products date code is over eighteen months, the products should be return to confirmation.

### 5.1 Environmental Conditions

The capacitor shall be not use in the following condition:

- (1) Temperature exposure above the maximum rated or below the minimum rated temperature of the capacitor.
- (2) Direct contact with water, salt water, or oil.
- (3) High humidity conditions where water could condense on the capacitor.
- (4) Exposure to toxic gases such as hydrogen sulfide, sulfuric acid, nitric acid, chlorine, or ammonia.
- (5) Exposure to ozone, radiation, or ultraviolet rays.
- (6) Vibration and shock conditions exceeding specified requirements.

## 6. Capacitor Disposal

When disposing of capacitors, use one of the following methods.

- \* Incinerate after crushing the capacitor or puncturing the can wall (to prevent explosion due to internal pressure rise). Capacitors should be incinerated at high temperatures to prevent the release of toxic gases such as chlorine from the polyvinyl chloride sleeve, etc.
- \* Dispose of as solid waste.

NOTE: Local laws may have specific disposal requirements, which must be followed.

Issued-date: 2013-10-7	Name	Specification Sheet – GF		
Version	01		Page	33
STANDARD MANUAL				