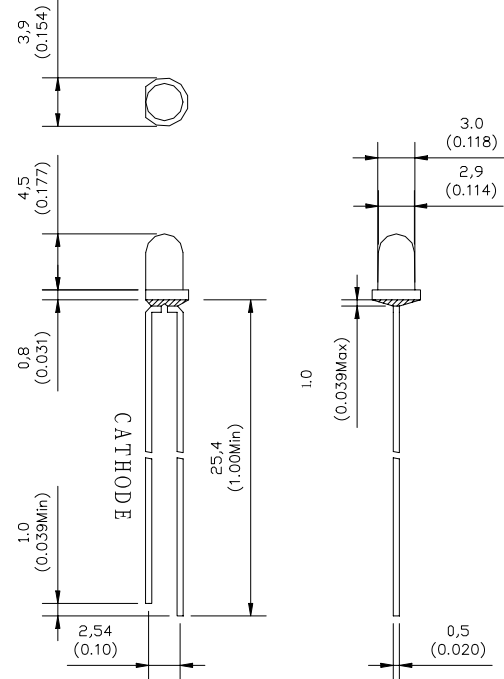


GNL-3014xx (Φ 3mm ROUND TYPE) Ultra Brightness

ABSOLUTE MAXIMUM RATING:(Ta=25°C)

Parameter			Unit
DC Forward Current	30		mA
Reverse Voltage	5		V
Reverse Current (Vr=5V)	10		μA
Peak Forward Current ,tw ,=1 msec Duty ,=1/20	150		mA
Operation Temperature	-40	+80	°C
Storage Temperature	-40	+100	°C
Solder Dip (5 seconds,1.6mm from body) Temperature	300	±5	°C



Part Number	EMITTED COLOR		Lens Color	Peak Wavelength (nm)	Vf (v) Typ.	IV (If=20mA) mcd		View Angle 2 θ 1/2
						Min.	Typ.	
GNL-3014SRD	GaAlAs	Super Red	Red Diffused	660	1.9	70	100	60°
GNL-3014SRT	GaAlAs	Super Red	Red Transparent	660	1.9	150	200	25°
GNL-3014SRC	GaAlAs	Super Red	Water Clear	660	1.9	150	200	25°
GNL-3014LRC	GaAlAs	Super Red	Water Clear	660	1.9	200	300	25°
GNL-3014URC	GaAlAs	Super Red	Water Clear	660	1.9	700	1000	20°
GNL-3014UEC	AlGaInP	Super Orange	Water Clear	625	2.0	1200	1500	25°
GNL-3014UGC	AlGaInP	Yellow Green	Water Clear	572	2.0	800	1200	25°
GNL-3014GC	GaP	Green	Water Clear	565	2.0	30	40	25°
GNL-3014YC	GaAsP	Yellow	Water Clear	588	2.0	30	40	25°
GNL-3014UYC	AlGaInP	Super Yellow	Water Clear	589	2.0	800	1000	25°
GNL-3014BC	InGaIn	Super Blue	Water Clear	470	3.5	1000	1500	25°
GNL-3014UBC	InGaIn	Ultra Super Blue	Water Clear	470	3.5	2000	3000	25°
GNL-3014BGC	InGaIn	Super Bluish Green	Water Clear	505	3.5	4500	6000	25°
GNL-3014PGC	InGaIn	Super Pure Green	Water Clear	525	3.5	6000	8000	25°
GNL-3014UWC	InGaIn	Ultra Super White	Water Clear	5500K-7000K	3.5	3500	4500	25°
GNL-3014VC	InGaIn	Super Violet	Water Clear	400	3.5	50	100	25°
GNL-3014BC-1	InGaIn	Super Blue	Water Clear	470	3.5	3500	4500	20°
GNL-3014UEC-1	AlGaInP	Super Red	Water Clear	630	1.9	1100	2100	25°
GNL-3014UYC-1	AlGaInP	Super Yellow	Water Clear	590	2.0	400	1000	25°
GNL-3014UEC-TL	AlGaInP	Super Red	Water Clear	630	1.9	2500	4000	35°
GNL-3014PGC-TL	InGaIn	Super Pure Green	Water Clear	525	3.5	8500	10000	25°
GNL-3014UBD-TL	InGaIn	Ultra Super Blue	Color Diffused	470	3.5	1500	2000	30°