



MWS 1,3-12

12V 1,3Ah

Compliance with standards

PN-EN 60896-21:2007
 PN-EN 60896-22:2007
 PN-EN 61056-1:2008
 PN-EN 61056-2:2003(U)
 PN-E-83016:1999

Batteries **MW Power** series **MWS** are designed mainly for use in control panels charging systems. Thanks to profitable quality/ price relation, the batteries MW-S gained recognition of many clients. The batteries of this type can also be used as a source of charging in portable devices.

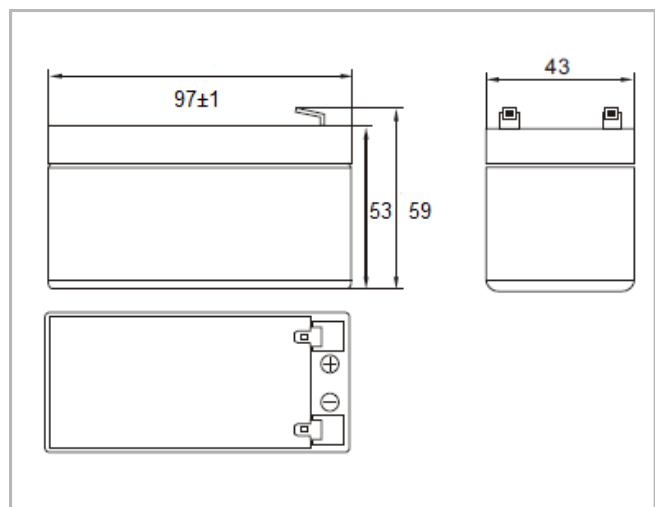
Service life is 3-5 years for 20-25°C.



Specification

Nominal voltage	12 V	
Nominal capacity	1,3 Ah	
Dimensions	Length	97 mm
	Width	43 mm
	Height	53 mm
	Total height	59 mm
Weight	0,57 kg	

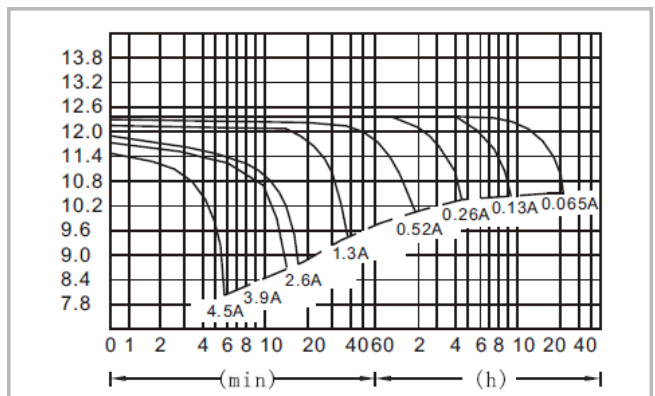
Dimensions



Characteristic

Capacity for 25 ° C and cut-off voltage 10.5 V	20h	1,30 Ah
	10h	1,19 Ah
	5h	1,03 Ah
Internal resistance	charged battery	80 mΩ
	for 20°C	100%
	for 0°C	85%
Capacity	for 0°C	85%
	for -15°C	65%
	3 m-ths	91%
Self-discharge	6 m-ths	82%
	12 m-ths	64%
	Terminal	Fast-on 187 (T1)
Charging	Standby use	13,50-13,80V
	Cyclic use	14,40-15,00V
Max. charge current	0,36 A	
Max. discharge current	15 A (5 sec.)	

Input-discharge at 25 ° C



Terminal

