



MWS 12-12

12V 12Ah

Compliance with standards

PN-EN 60896-21:2007
 PN-EN 60896-22:2007
 PN-EN 61056-1:2008
 PN-EN 61056-2:2003(U)
 PN-E-83016:1999

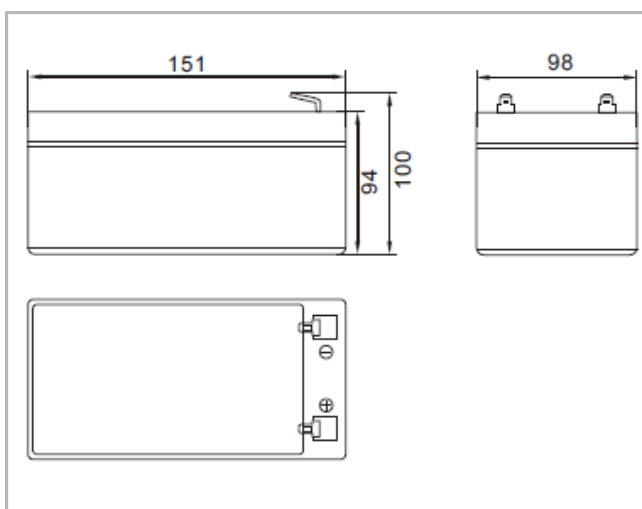
Batteries **MW Power** series **MW-S** are designed mainly for use in control panels charging systems . Thanks to profitable quality/ price relation, the batteries MW-S gained recognition of many clients. The batteries of this type can also be used as a source of charging in portable devices. Service life is 3-5 years for 20-25 oC .



Specification

Nominal voltage	12 V	
Nominal capacity	12,0 Ah	
Dimensions	Lenght	151 mm
	Width	98 mm
	Height	94 mm
	Total height	100 mm
Weight	3,25 kg	

Dimensions

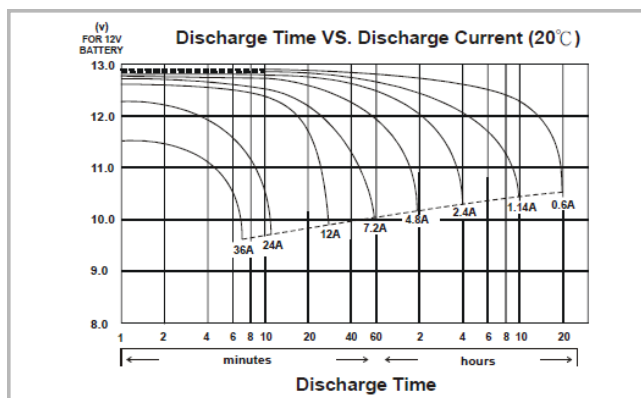


Characteristic

Capacity for 25 ° C and cut-off voltage 10.5 V	20h	12,0 Ah
	10h	11,5 Ah
	5h	10,2 Ah
Internal resistance	charged battery	19,5 mΩ
Capacity	dla 20°C	100%
	dla 0°C	85%
	dla -15°C	65%
Self-discharge	3 m-ce	91%
	6 m-cy	82%
	12 m-cy	64%
Terminal	Fast-on 187 (T1)	
Charging	Standby use	13,50-13,80V
	Cyclic use	14,40-15,00V
Max. charge current	4,0 A	
Max. discharge current	135 A	

Temperatures of work:
 Discharging: -20°C ÷ 50°C
 Charging: -20°C ÷ 50°C
 Storage: -20°C ÷ 50°C

Input-discharge at 25 °C



Terminal

