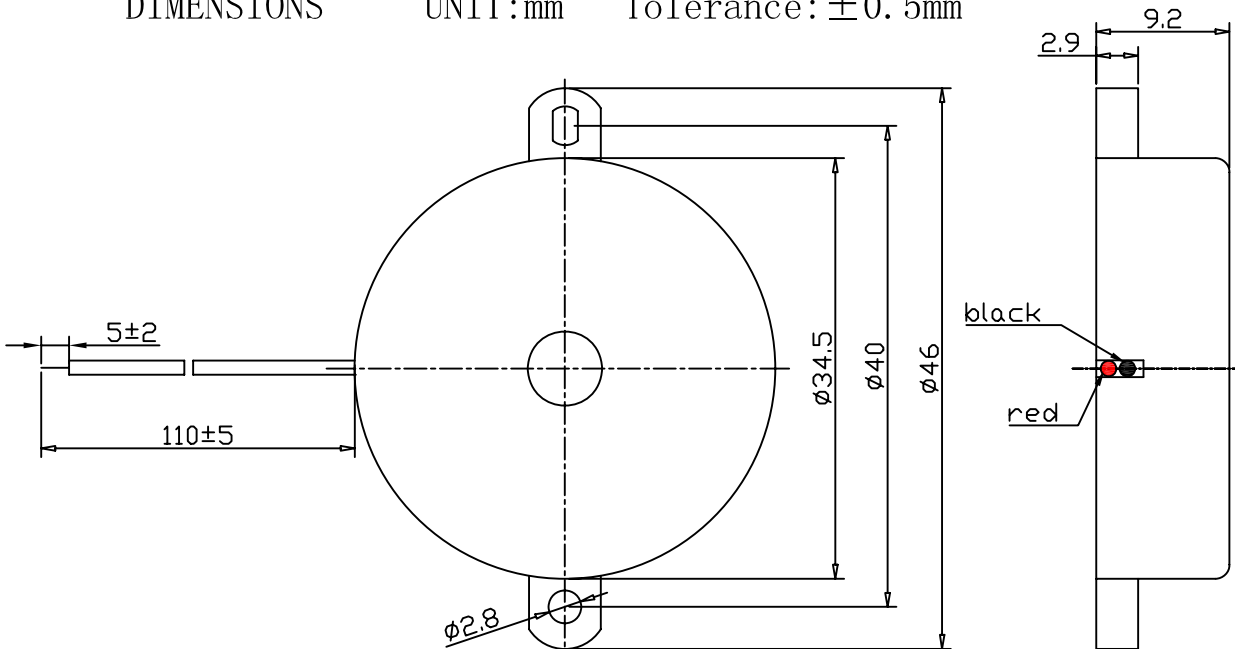


SPECIFICATION SHEET

Type	Unit	LD-BZPN-3510
Rated voltage (Square Wave)	V _{p-p}	10
Operating Voltage	V _{p-p}	1 - 30
*Rated Current (MAX)	mA	5
*Min Sound Output at 1.1 KHz/10 cm	dB	81
*Resonant Frequency	Hz	1100 ± 500
Capacitance at 120Hz	pF	43000 ± 30%
Lead wire/lead pin material	UL1095 AWG28	
Operating Temperature	° C	-30 ~ +80
Storage Temperature	° C	-40 ~ +80
Weight	g	7

*Value Applying at Rated Voltage.

DIMENSIONS UNIT:mm Tolerance: ±0.5mm



Housing material: ABS