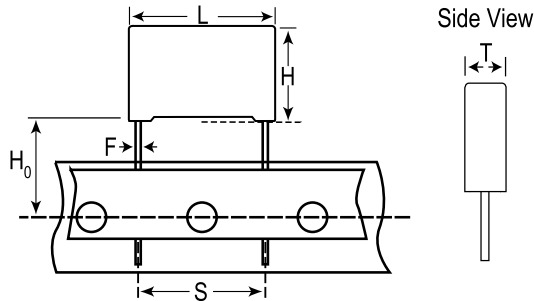


Capacitor, Film, Metallized Polyester (Stacked), 3300 pF, +/-5% Tol, -55/+105C, General Purpose, 100 VDC@85C, Lead Spacing=5 mm



| General Information |                                |
|---------------------|--------------------------------|
| Supplier:           | KEMET                          |
| Dielectric:         | Metallized Polyester (Stacked) |
| Application:        | General Purpose                |
| Sub Application:    | AEC-Q200                       |
| Style:              | Radial Box                     |
| Lead Form:          | Wire Leads                     |
| Features:           | Pulse                          |
| Approvals:          | AEC-Q200                       |
| RoHS:               | Yes                            |

| Dimensions (mm) |           |           |
|-----------------|-----------|-----------|
| Symbol          | Dimension | Tolerance |
| L               | 7.2       | +0.2      |
| H               | 6.5       | +0.1      |
| T               | 2.5       | +0.1      |
| S               | 5         | +/-0.4    |
| F               | 0.5       | +/-0.05   |
| H0              | 18.5      | +/-0.5    |

| Specifications               |   |
|------------------------------|---|
| Capacitance:                 | 3300 pF   |
| Voltage:                     | 100 VDC   |
| Tolerance:                   | +/-5%   |
| Voltage AC:                  | 63 VAC  |
| Rated Temperature:           | 85C   |
| Temperature Range:           | -55/+105C                                       |
| Dissipation Factor @ 1 kHz:  | 0.8%  |
| Dissipation Factor @ 10 kHz: | 1.2%  |
| Dissipation Factor @ 100kHz: | 2.5%  |
| Insulation Resistance:       | 15 GOhm   |
| Inductance:                  | 7   |
| Maximum dVdT:                | 200 v/us  |
| Miscellaneous:               | Above 85C DC And AC Voltage Derating Is 1.25%/C |

| Packaging Specifications |              |
|--------------------------|--------------|
| Package Kind:            | Ammo         |
| Package Size:            | 360x340x59mm |
| Package Quantity:        | 3500         |