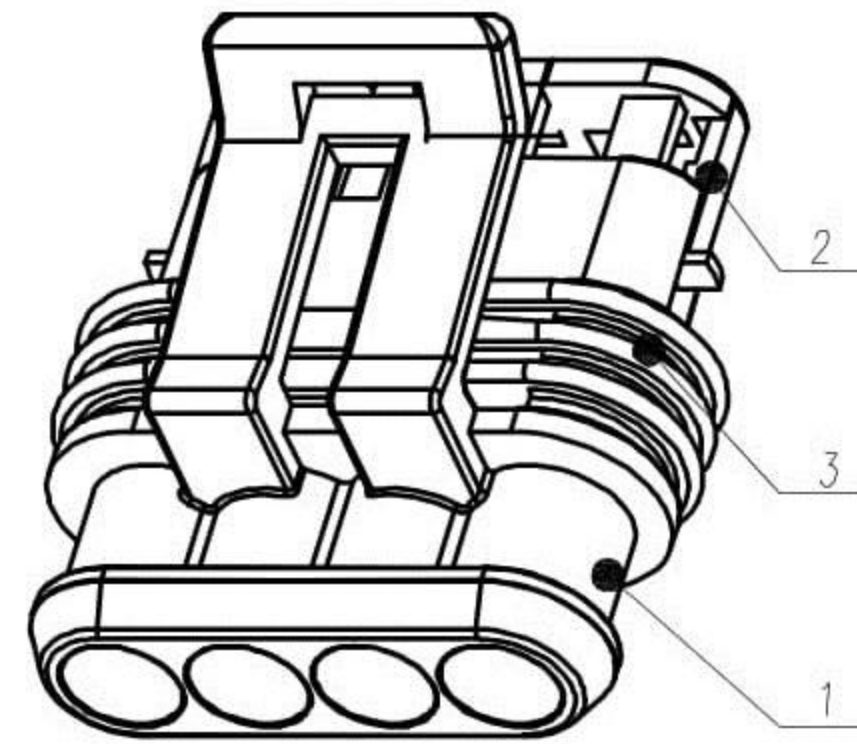
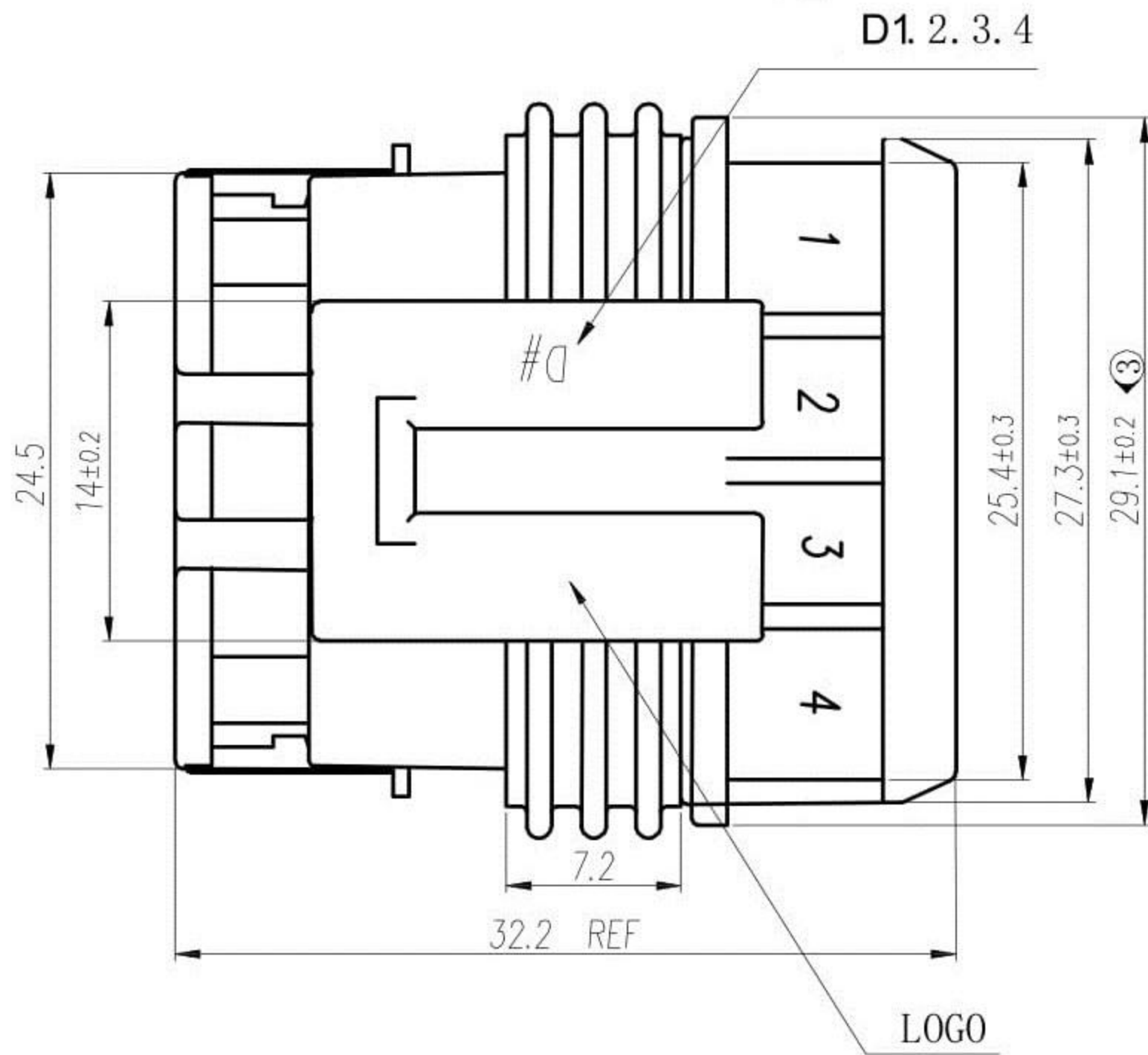
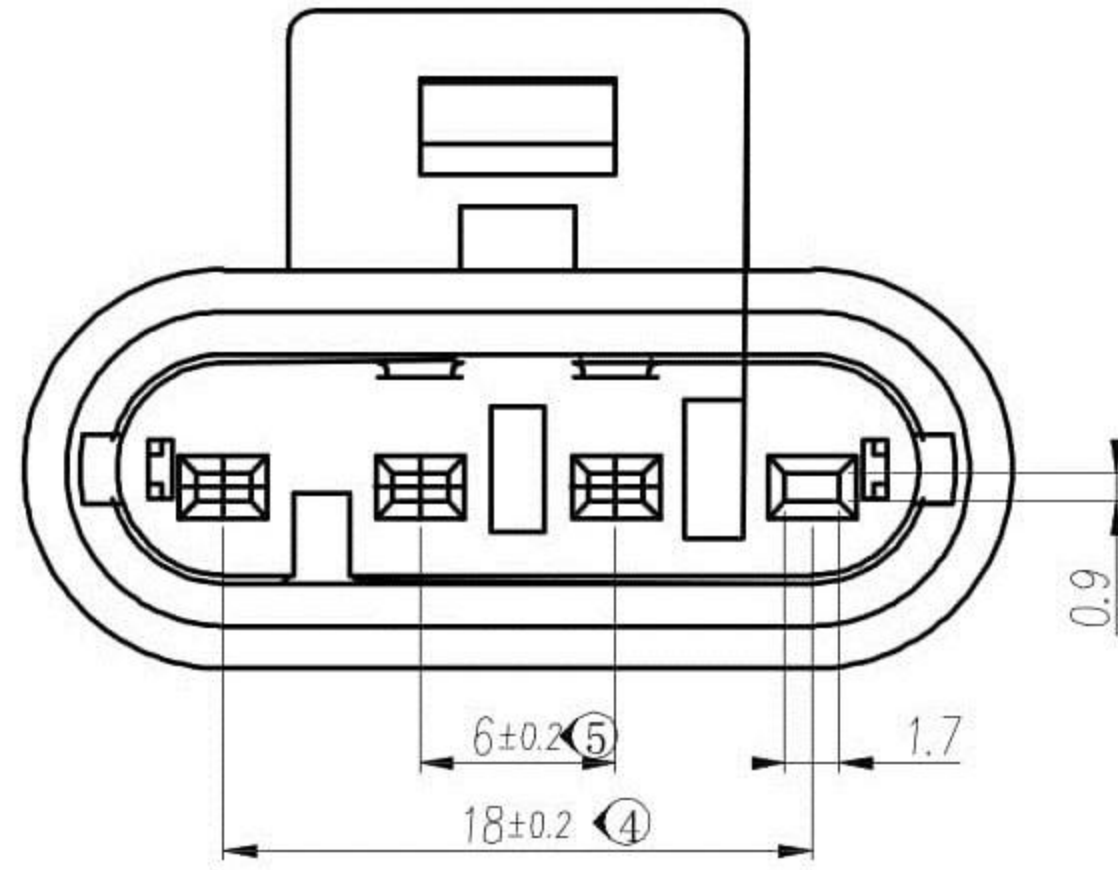
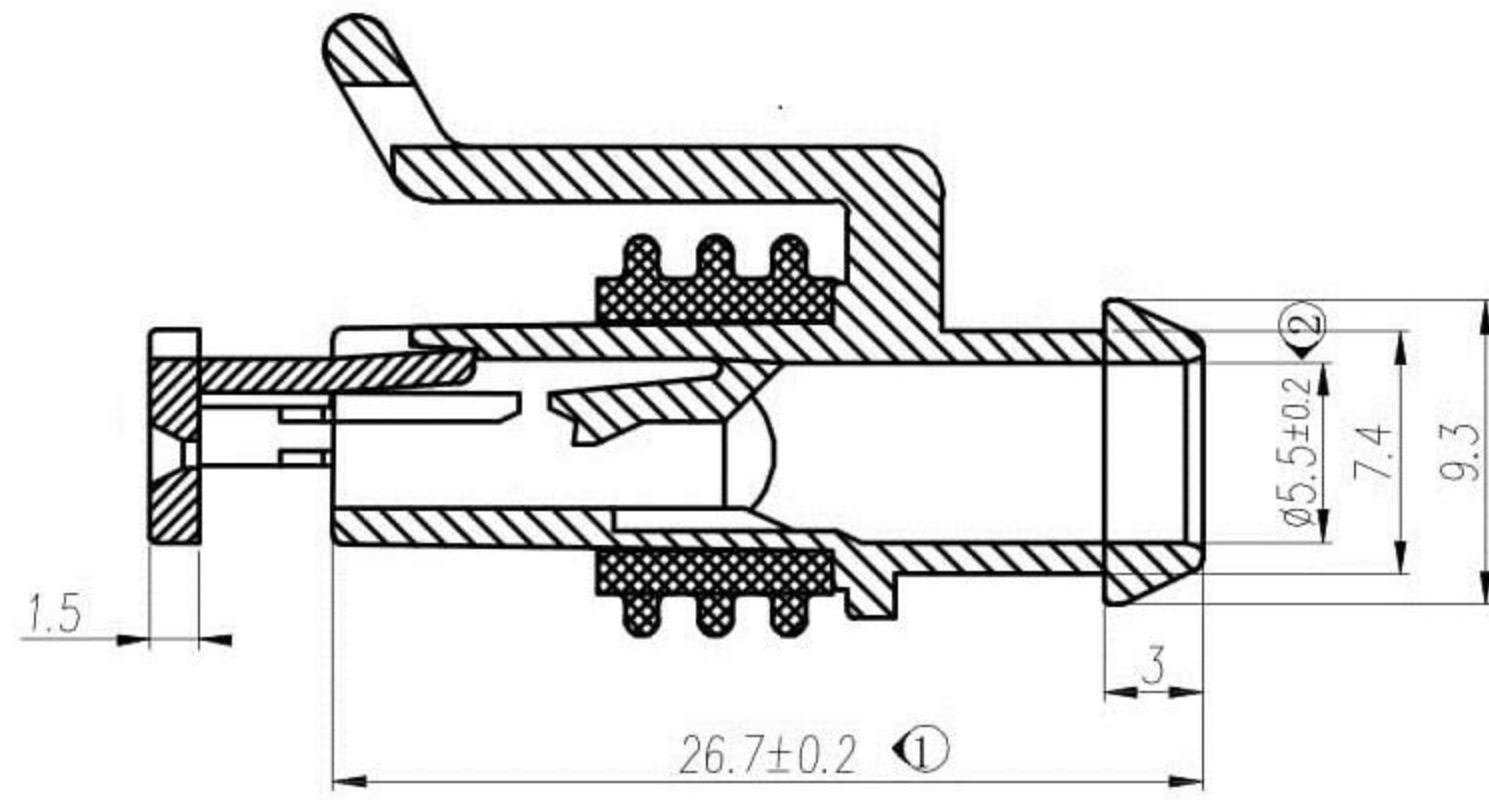


M
L
K
J
H
G
◆
F
E
D
C
B
A



	(mm ²)
282403	0.35-0.5
282110	0.75-1.5
282466	1.5-2.5

1	-40°- +120°	M Q V	1
2	QC/T417-2004	PA66+GF30	1
		PA66	1

X.° ±3°				X. X° ±0.5°				282088-1-C			
>0-3	>3-18	>18-50	>50-120					Design Units	SIZE		
±0.12	±0.15	±0.3	±0.5	MM Only	—	METRIC	A4				
											Part No



15 14 13 12 11 10 9 ◆ 8 7 6 5 4 3 2 1