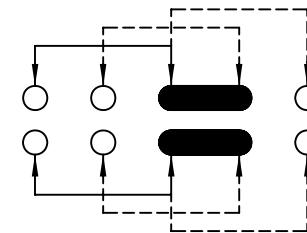
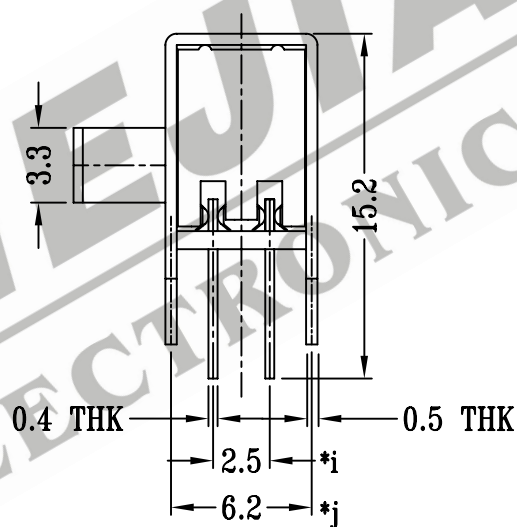
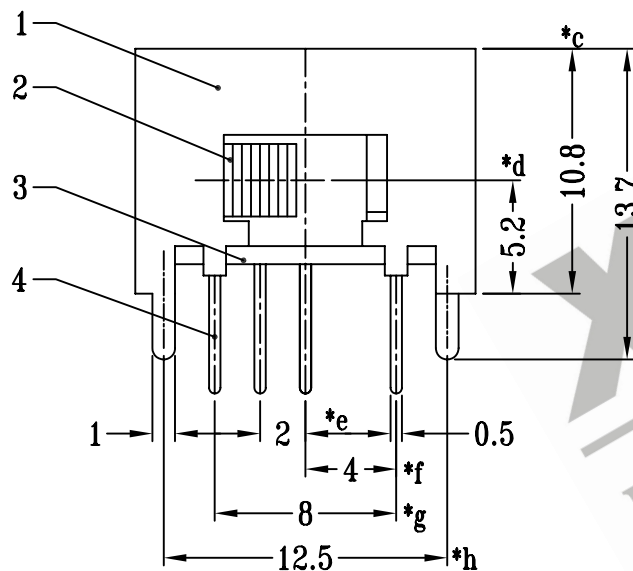
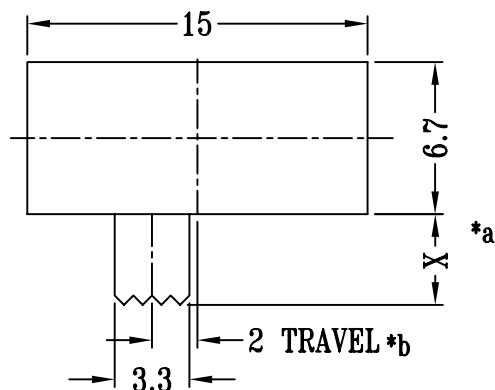
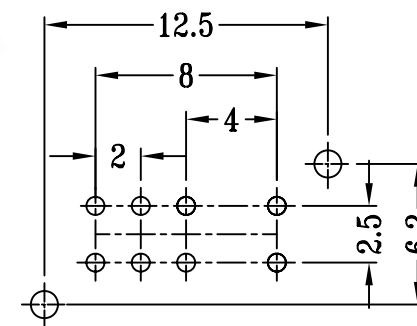


CAD FILE:



SCHEMATIC (SHORTING)



P.C.B LAYOUT

注:带*表示关键尺寸(10个)

NO.	PART NAME	MATERIAL	Q'TY	FINISHING	TOLERANCE UNLESS SPECIFIED	SHENZHEN XIEJIA ELECTRONICS CO.,LTD.				
7	STEEL BALL	STEEL	1	NATURAL	WITHIN: 1.5±0.1mm OVER: 1.5±0.2mm	ISSUE	DATE	DESCRIPTIONS		APPD.
6	SPRING	STEEL WIRE	1	TEMPER						
5	CONTACT (CLIP)	PBS STRIP	2	Ag PLATED	TITLE : HORIZONTAL SLIDE SWITCH		UNIT : MM	DRWG NO.: XJ-DR-SK23D23-00		
4	TERMINAL	TERMINAL	8	Ag PLATED OVER Ni PLATED	MODEL: SK-23D23		SCALE: 3:1	DWN.	ZHOUYU	2007-1-6
3	TERMINAL BASE	PHENOLIC RESIN	1	NATURAL	ALL MATERIALS MUST BE COMPLIANT TO ROHS			CHK'D	FANGYING	2007-1-6
2	KNOB	POM	1	BLACK				APPD.	KANGXINAN	2007-1-6
1	FRAME	STEEL STRIP	1	Ni PLATED						