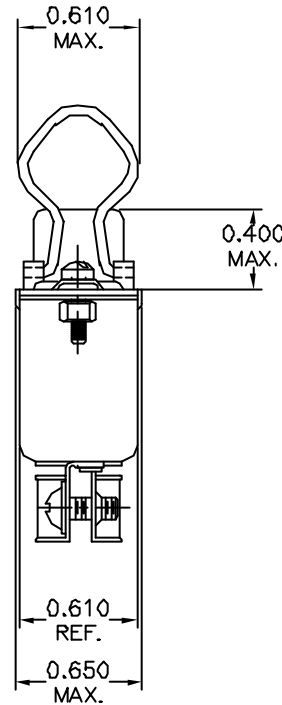
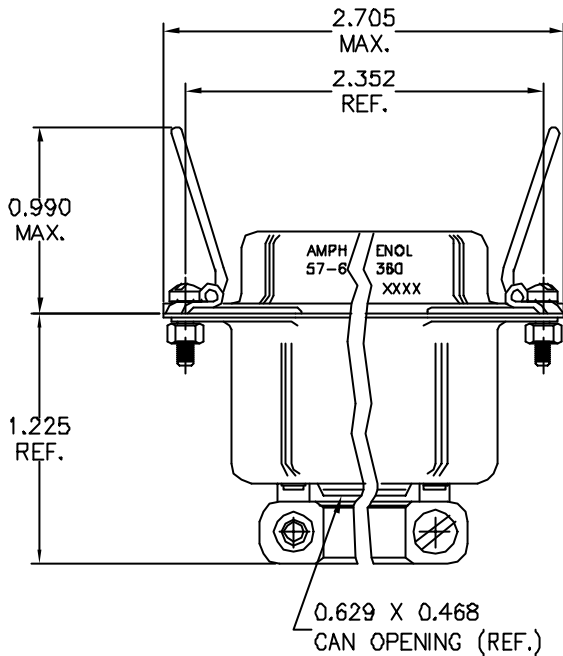


This document is the property of Amphenol Corporation and is delivered on the express condition that it is not to be disclosed, reproduced or used in whole or in part, for manufacture or sale by anyone other than Amphenol Corporation without the prior consent. All that use right is granted to others or to use any information in this document.



REVISIONS				
SYM	ICH	DESCRIPTION	DATE	APPROVED
A	HK	PRELIMINARY RELEASE	01/18/03	Y.M.LEE

TABLE 1

CONNECTOR SIZES	AVERAGE MATING FORCE (POUNDS)
14	5
24	8
36	12
50	15
64	19

**SPECIFICATIONS:**

- 1) SOLDER CUP CONTACT: TO ACCOMMODATE 22-30 AWG SOLID AND 24-30 STRANDED CONNECTOR WIRES.
- 2) DIELECTRIC: DIALYL-PHTHALATE PER MIL-M-14F TYPE MDG UL-94V0
- 3) CONTACT MATERIAL: COPPER ALLOY
- 4) CONTACT: 20 MICRO-INCHES MIN. GOLD MATING AREA: GOLD FLASH ON TAIL AREA. 50 MICRO-INCHES MIN. NICKEL UNDERPLATING ALL OVER.
- 5) SHELL MATERIAL: ZINC PLATED STEEL WITH CLEAR CHROMATE COATING
- 6) CURRENT CAPACITY: 5 AMPS/CONTACT
- 7) VOLTAGE RATING: 700 VOLTS D.C. AT SEA LEVEL  
200 VOLTS D.C. AT 70,000 FEET
- 8) INSULATION RESISTANCE: >5000 M OHM
- 9) DIELECTRIC WITHSTANDING VOLTAGE: 1200 VAC (RMS) AT SEA LEVEL
- 10) CONNECTOR MATING FORCE: REFER TO TABLE 1.

- 11) CONTACT RETENTION FORCE: 2 LBS MAX.
- 12) DURABILITY: 250 CYCLES MIN.
- 13) VIBRATION: NO INTERRUPTIONS < 1u SEC.
- 14) OPERATING TEMPERATURE: -55°C TO +105°C (-67°F TO +221°F)

**CUSTOMER INFORMATION DRAWING**

ITEM NO	PART OR IDENTIFICATION NO	QUANTITY	DESCRIPTION	DATE	BY
<b>PARTS LIST</b>					
UNLESS OTHERWISE SPECIFIED TOLERANCES		APPROVAL		DATE	
U.S. / NONE		DRAWN Y.M. LEE		01/18/03	
X +/- 0.000		CHECKED Y.M. LEE		01/18/03	
XX +/- 0.010		CHECKED			
XXX +/- 0.005		DRAWING FILE:			
FRACTIONS +/- 1"		DRAWING FILE: \DRAWING\007\C5760360.DWG			
ANGLES +/- 1°		ANGLE OF PROJECTION			
FOR MATERIALS AND FINISHES SEE NOTES		REMOVE SHARP EDGES			
DIMENSIONS		U.S. / INCHES		SCALE NONE	
-DIMENSIONS-		-INCHES-		SHEET 1 OF 1	
TITLE			REV.		
Amphenol			A		
36 CONTACT CABLE RECEPTACLE, ASSY WITH SPRING LATCH & MODIFIED BACK SHELL(MINI. RIBBON)			C57-60360		