

Series 326

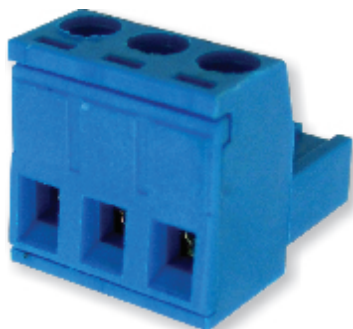
SPECIFICATIONS

技術資料

Terminal Blocks for PC-Boards Pluggable with Header Terminal Blocks (326系列)

印刷線路板用接線端子座 - 對插式端子座

Mates with Series 327,
Spacing 5.0mm, 10.0mm, 7.62mm, 5.08mm, 10.16mm
與327系列配合使用 · 間距5mm, 10mm, 7.62mm, 5.08mm, 10.16mm



326-031-12-00



MATERIAL 材料

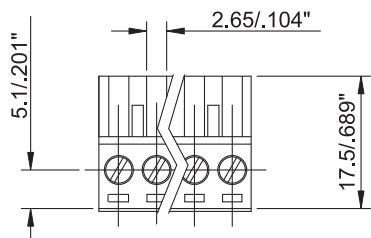
- **Contact 觸點(metal housing 金屬殼體):**
Brass, Tin plated / 黃銅 · 銅錫電鍍
- **Terminal Screw 螺絲:**
Steel galvanized and chromated / 鋼 · 五彩電鍍
- **Wire Guard 保護片:**
Brass, Tin plated / 黃銅 · 鍍錫
- **Insulator Body 絕緣體(housing 殼體)**
Polyamide PA66 (UL 94 V-0) / 尼龍PA66 (UL 94 V-0)

ELECTRICAL 電機方面

- **Current Rating 工作電流:** 11 Amp
- **Stranded Wire 絞線:** 13 Amp
- **Solid Wire 實線:** 13 Amp
- **AWG 適用線號:**
- **Stranded Wire 絞線:** 24 - 12
- **Solid Wire 實線:** 12
- **Dielectric Strength 電介質:** 2500V
- **Rated Voltage 額定電壓:** 300V
- **Conductor Size 適用線徑範圍:** 0.5 - 2.5mm²
- **Resistance to Tracking 絕緣阻值:** 5MΩ
- **Insulation Withstands Voltage 耐電壓:** AC1500V/Min
- **Stripping Length 剝線長度:** 6.5 - 7.0mm

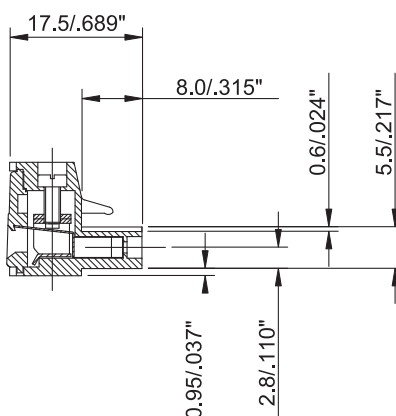
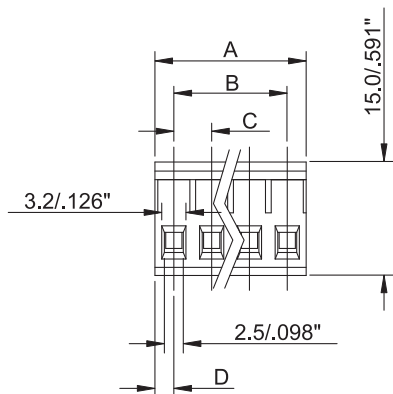
MECHANICAL 機械方面

- **Operating Temperature 工作溫度:** -40°C to +105°C
- **Short Time Peak Temperature 短暫能容溫度:** +200°C max



* n = number of contacts

PITCH	Dimension A	Dimension B	Dimension C	Dimension D
5mm	n x 5	(n - 1) x 5	5	2.5
10mm	n x 10	(n - 1) x 10	10	5
7.62mm	n x 7.62	(n - 1) x 7.62	7.62	3.81
5.08mm	n x 5.08	(n - 1) x 5.08	5.08	2.54
10.16mm	n x 10.16	(n - 1) x 10.16	10.16	5.08



HOW TO ORDER 排序整理

3 2 6 - X X X - 1 X - A 0

Series No. 系列編號	No. of Pole 針腳數目	Pitch 間距	Color 顏色
		1 5.0mm	1 Grey 灰
		2 10.0mm	2 Blue 藍
		7 7.62mm	3 Black 黑
		8 5.08mm	4 Green 綠
		9 10.16mm	