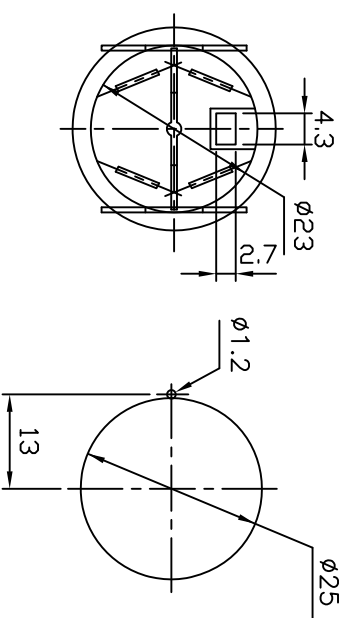
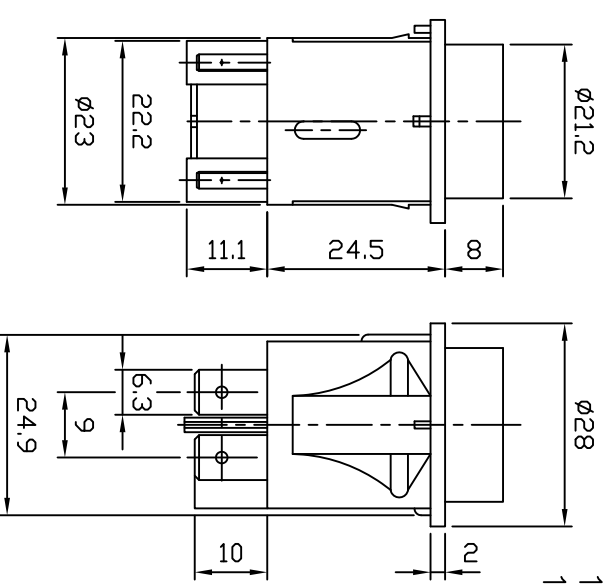


Specification:
 16(6)A 250VAC 1E4 T125/55
 10(4)A 250VAC 5E4 T125/55
 3/4HP 250VAC
 1/2HP 250VAC
 16A 125VAC T105



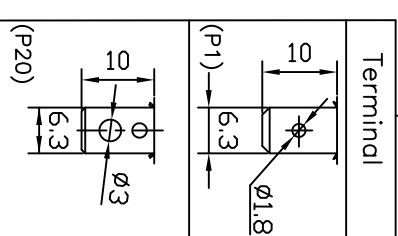
9L 9L



Pancel hole size

FUNCTION	
A	2P ON-OFF
B	2P OFF-(ON)
C	4P ON-OFF W/AC LAMP
D	4P OFF-(ON) W/AC LAMP
E	4P ON-OFF W/DC BULB
F	4P OFF-(ON) W/DC BULB
G	4P ON-OFF
H	4P OFF-(ON)

Color Housing/Cap	
B	Black
W	White
R	Red
O	Orange
G	Green
GY	Grey



WATERPROOF CAP	
WP	Nothing
WP-RL5-1	

LIGHT Voltage	
1	110VAC
2	220VAC
3	12VDC
4	24VDC

8	SPRING	STEEL							
7	RESISTOR	RT							
6	NEON-LAMP	NEON							
5	MOVEBLE CONTACT	COPPER							
4	TERMINALS	COPPER							
3	CONTACTOR	Ag Ni(15)/CU							
2	HOUSING	BASF-A3K							
1	PUSH ROCKER	PC							
NO.	DESCRIPTION	QTY	MATERIAL	SPECIFICATION	SGS NO.	REMARK			
DRAW BY	CHUN	031611				RL5			
DEGN BY	YANG					PUSH BUTTON			
APPD BY	RAY					SWITCH			

同利企業有限公司

TELE LONG ENTERPRISE CO.,LTD

DWG NO. RL5-CN05-TN00-A1

DATE DRAWG BY REVISED