

SPECIFICATION SHEET

LEAD FREE

Date of application

2008 12 25
(year) (month) (date)

CUSTOMER

ORMIX LTD

Description:

EMI SUPPRESSION CORE

CUST. Part Number:

CEC Part Number:

A81213004

CLASSIFICATION OF SPEC.PRESENTATION. (Tick the relevant box“√ ”)

- New application
 New part(s) is added to accepted specification
 Revision of accepted specification

Note

Please send us the specification with acceptance stamp.

ACCEPTANCE STAMP



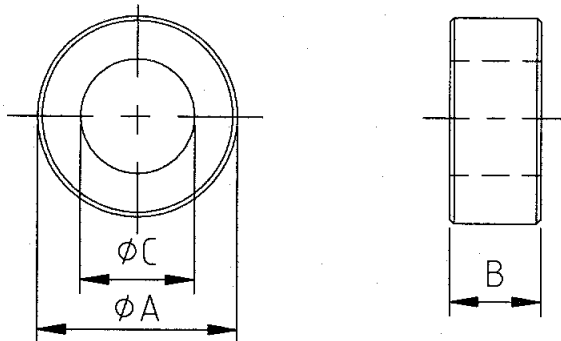
COILS ELECTRONIC CO., LTD.

APPROVAL	CHECK	PREPARE

SPECIFICATION

CUSTOMER : ORMIX LTD	APPROVED BY
CUS. PART NO. :	
COILS PART NO. : A81213004	
DATE : 2008/12/16	

1. Appearance .



2. Dimensions (Unit : mm)

Items	Ø A	B	Ø C
Specification	21.0 Max.	8.9 Max.	11.0 Min.

3. Material Properties.

Material Name	CP40	Part No.	CP40 T20x8x12-C
Initial Permeability μi	2300 \pm 25 %		




4. Electrical Properties.

Item	Specification	Test Condition	Test coil	Test equipment
AL value	1880 \pm 25 % (nH / N ²)	10kHz/50mV	Ø0.50mm(2UEW) 10Ts	HP-4284A or equivalent

COATING COLOR: GREEN

5. REMARKS:

HI-POT : NO ABNORMALITY WHEN APPLY DC1500V , 1mA , 2SECONDS BETWEEN COATING-CORE.

APPROVAL	CHECK	DESIGN	REVISION
			▲ 2008/12/25. Add coating color.