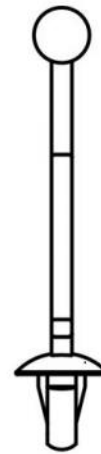
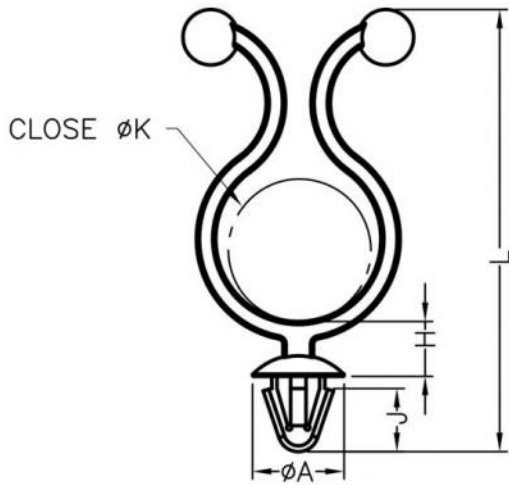


WEBSITE PHOTOS

⚠ This dwg is for reference only, Actual dwg should be based on formal engineering dwg issued by Kang Yang.



HOLE : ϕG
THICKNESS: T

A	G	H	J	K	L	T
9.0	$\phi 4.8 \sim \phi 5.0$	5.4	6.3	14.0	43.48	1.2~2.0

G	MOUNTING HOLE
T	THICKNESS

- 1.It is normal if it is shrinking.
- 2.All measurement does not include gate which raises under 0.3mm.

PART NUMBER			THCA-1		SPEC. DWG.					
TITLE							WIRE MOUNT			
MATERIAL					NYLON 66(UL) 94V-0		COLOR		BLACK	
SIZE		SCALE		UNIT		CHECK				
A4		2:1		mm		Z.C				