



## THROUGH-HOLE AXIAL CONFORMAL COATED INDUCTORS

# LGA 0410 SERIES

### FEATURES:

- Magnetic Core
- Wire-wound construction
- Heat resistant epoxy resin
- High reliability, Ideal for automatic insertion
- Small size, Low Cost

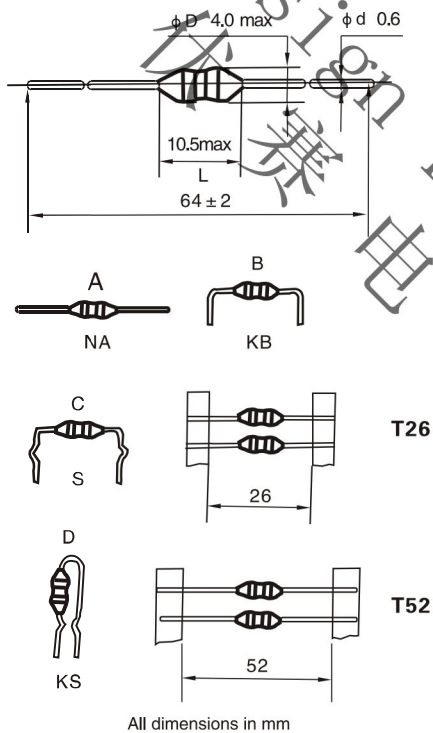
### OPTIONS:

- Packaging: Tape & Reel is Standard (Qty: 5000 pcs)
- Bulk packaging available for smaller quantities
- Tolerance: 10% is standard, tighter tolerances available.

### COMMON APPLICATIONS:

- VCRs
- Automotive Systems
- Computer Peripheral Equipment
- Televisions
- Electronic Games
- Mobile Communications Equipment
- General Electronic Applications

### PHYSICAL CHARACTERISTICS



### STANDARD SPECIFICATIONS

Part Number	L (μH)	Tol ± %	Q min	L Test Freq (MHz)	S.R.F (MHz)	R <sub>DC</sub> (Ω) Max	I <sub>bc</sub> (mA)
LGA0410-R22K	0.22	20	45	25.2	300	0.10	1400
LGA0410-R27K	0.27	20	45	25.2	270	0.11	1320
LGA0410-R33K	0.33	20	45	25.2	250	0.12	1280
LGA0410-R39K	0.39	20	45	25.2	230	0.13	1200
LGA0410-R47K	0.47	20	45	25.2	220	0.14	1150
LGA0410-R56K	0.56	20	45	25.2	200	0.15	1100
LGA0410-R68K	0.68	20	45	25.2	190	0.16	1030
LGA0410-R82K	0.82	20	45	25.2	172	0.17	980
LGA0410-1R0K	1.0	20	45	25.2	157	0.19	920
LGA0410-1R2K	1.2	20	50	7.96	144	0.21	880
LGA0410-1R5K	1.5	20	50	7.96	131	0.23	830
LGA0410-1R8K	1.8	20	55	7.96	121	0.25	790
LGA0410-2R2K	2.2	20	55	7.96	110	0.28	750
LGA0410-2R7K	2.7	20	60	7.96	100	0.30	720
LGA0410-3R3K	3.3	10	65	7.96	94	0.34	670
LGA0410-3R9K	3.9	10	65	7.96	55	0.37	640
LGA0410-4R7K	4.7	10	70	7.96	56	0.39	620
LGA0410-5R6K	5.6	10	70	7.96	48	0.43	590
LGA0410-6R8K	6.8	10	75	7.96	37	0.48	550
LGA0410-8R2K	8.2	10	80	7.96	25	0.52	530
LGA0410-100K	10	10	65	7.96	21	0.58	500
LGA0410-120K	12	10	50	2.52	19	1.63	480
LGA0410-150K	15	10	50	2.52	17	0.72	460
LGA0410-180K	18	10	50	2.52	13	0.77	430
LGA0410-220K	22	10	50	2.52	9.6	0.84	410
LGA0410-270K	27	10	55	2.52	7.2	0.94	390
LGA0410-330K	33	10	55	2.52	6.6	1.03	370
LGA0410-390K	39	10	50	2.52	6.6	1.12	350
LGA0410-470K	47	10	45	2.52	6.3	1.22	340
LGA0410-560K	56	10	40	2.52	6.2	1.34	320
LGA0410-680K	68	10	40	2.52	5.7	1.47	305
LGA0410-820K	82	10	35	2.52	5.3	1.62	290
LGA0410-101K	100	10	30	2.52	4.8	1.80	275
LGA0410-121K	120	10	55	0.796	3.8	3.70	185
LGA0410-151K	150	10	45	0.796	3.5	4.20	175
LGA0410-181K	180	10	50	0.796	3.3	4.60	165
LGA0410-221K	220	10	55	0.796	3.0	5.10	155
LGA0410-271K	270	10	65	0.796	2.8	5.80	145
LGA0410-331K	330	10	65	0.796	2.6	6.40	137
LGA0410-391K	390	10	65	0.796	2.4	7.00	133
LGA0410-471K	470	10	60	0.796	2.25	7.70	126
LGA0410-561K	560	10	60	0.796	2.10	8.50	120
LGA0410-681K	680	10	55	0.796	1.95	9.40	113
LGA0410-821K	820	10	55	0.796	1.85	10.5	105
LGA0410-102K	1000	10	50	0.796	1.40	14.0	100

### TECHNICAL INFORMATION:

#### 1. Ordering Code

LGA	04		KB	-	101	K	T52
(1)	(2)	(3)	(4)		(5)	(6)	(7)

- (1) Type
- (2) Outside
- (3) Body Length
- (4) Formed Type
- (5) Nominal Inductance
- (6) Inductance Tolerance
- (7) Tape Type

#### • Testing: (Equivalent acceptable)

- Inductance—Hp 4285A
- RDC: QuadTech 1880 Milliohmmer
- Q—HP 4342A
- SRF—HP 4191A

- IDC Max: The maximum DC value having inductance decrease within 10% and temperature increase within 20°C by the application of DC Bias
- Operating temperature: -25°C to +105°C
- Storage temperature: -40°C to +85°C
- Solderability: Temperature @ 230°C ± 5°C for 2 seconds
- Marking: EIA 4 band color code.

Note: All specifications subject to change without notice.

Note: 1. K = ± 10%, M = ± 20%