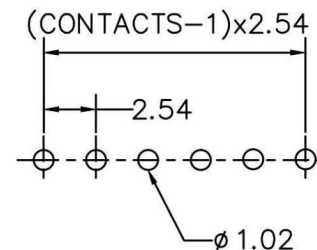
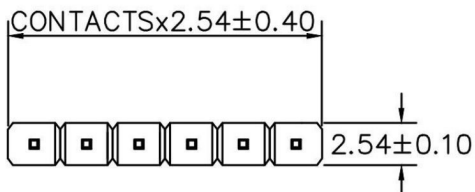


1 2 3 4 5 6 7 8

A

A

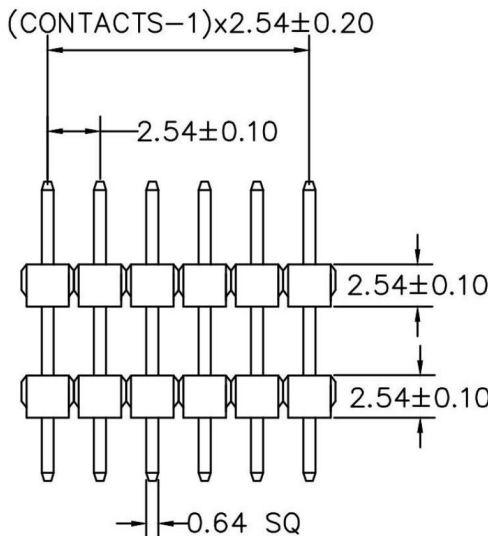
MATERIAL
HOUSING : THERMOPLASTIC UL94V-0
CONTACT : COPPER ALLOYS



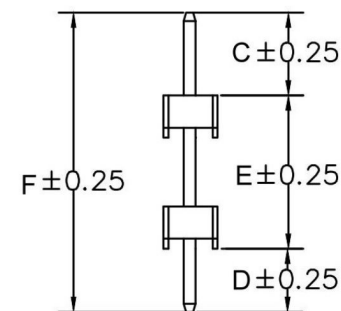
B

B

SPECIFICATION
CURRENT: 3A
OPERATING TEMPERATURE: -55°C TO +105°C
CONTACT RESISTANCE : 20 MILLIOHMS MAX
INSULATION RESISTANCE : 1000 MEGAOHMS MIN
WITHSTANDING VOLTAGE : AC 1000V RMS



RECOMMENDED P.C.B LAYOUT



C

C

D

D

CONTACTS	1X21
1X2	1X22
1X3	1X23
1X4	1X24
1X5	1X25
1X6	1X26
1X7	1X27
1X8	1X28
1X9	1X29
1X10	1X30
1X11	1X31
1X12	1X32
1X13	1X33
1X14	1X34
1X15	1X35
1X16	1X36
1X17	1X37
1X18	1X38
1X19	1X39
1X20	1X40

(C=6mm D=2.5mm E=27.5mm F=36mm)

E

E

F

F

G

G

H

H

RoHS Compliant		HSM 玄茂科技股份有限公司 HSUAN MAO TECHNOLOGY CO., LTD.	
APPD. 核准 HELEN	SCALE 比例 參考	TOLERANCE 容許公差 .0=±0.38 .00=±0.25 ANG.=±5°	PART NAME 品名 2.54mm PIN HEADER SINGLE ROW DUAL INSULATOR 1XXXP STRAIGHT TYPE (C=6 D=2.5 E=27.5 F=36mm) ROHS
DWG. 製圖 ABBY			
DATE 制表日 2017/06/27	PAGE 張數 1 OF 1	REV. 版次 A	PART NO. 料號 C2100-XXESXWE0R

1 2 3 4 5 6 7 8