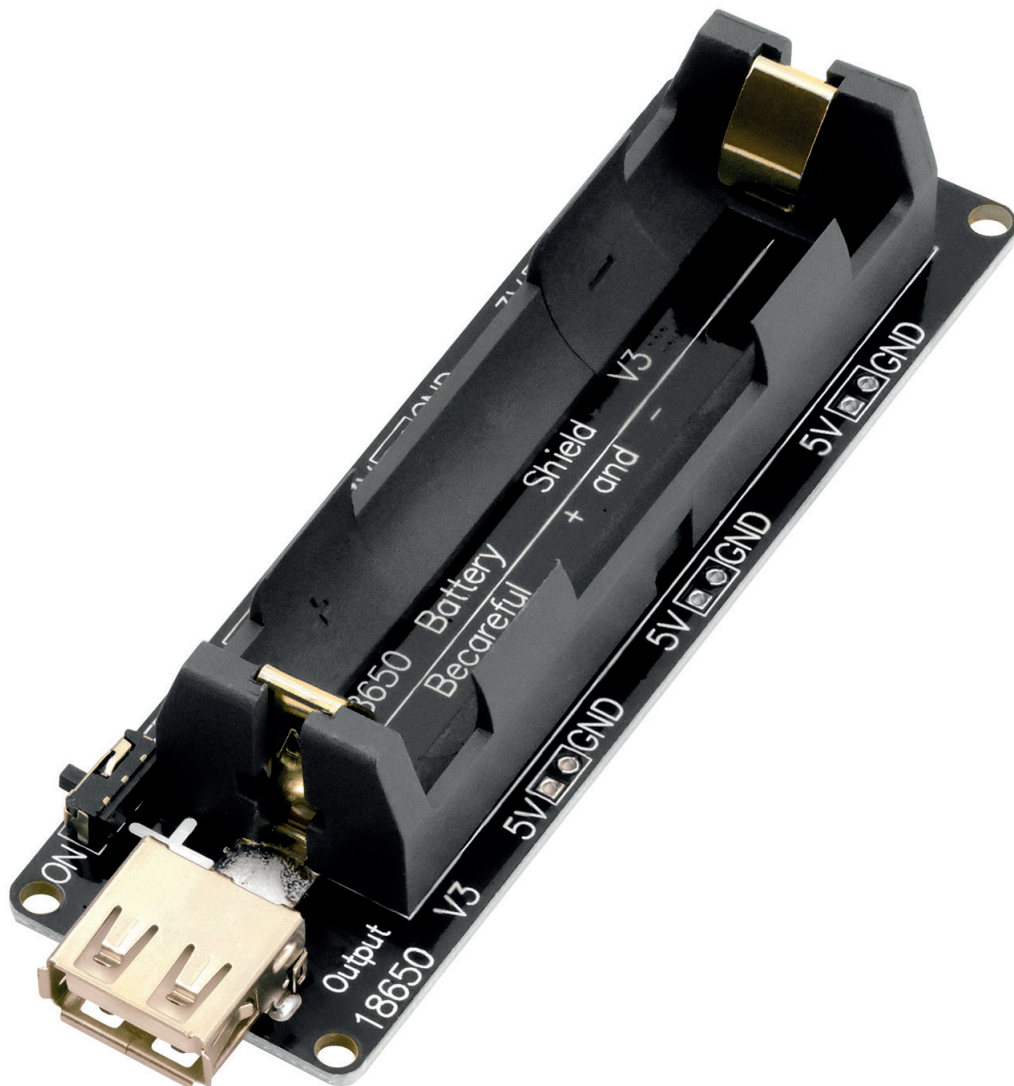


Battery Expansion Shield 18650 V3 Datenblatt



Content:

[1. Specifications](#)

[2. Pinout](#)

[3. Connection Diagram](#)

1. Specifications

Charging Input Voltage	5V
Charging Current	500mA
Output Current	Up to 1A
3V Output Connector	3
5V Output Connector	3
Charging Connector	Micro USB
Operating Temperature	-20°C to 70°C
Dimensions	105mm x 30mm x 20mm [4.1in x 1.2in x 0.7in]

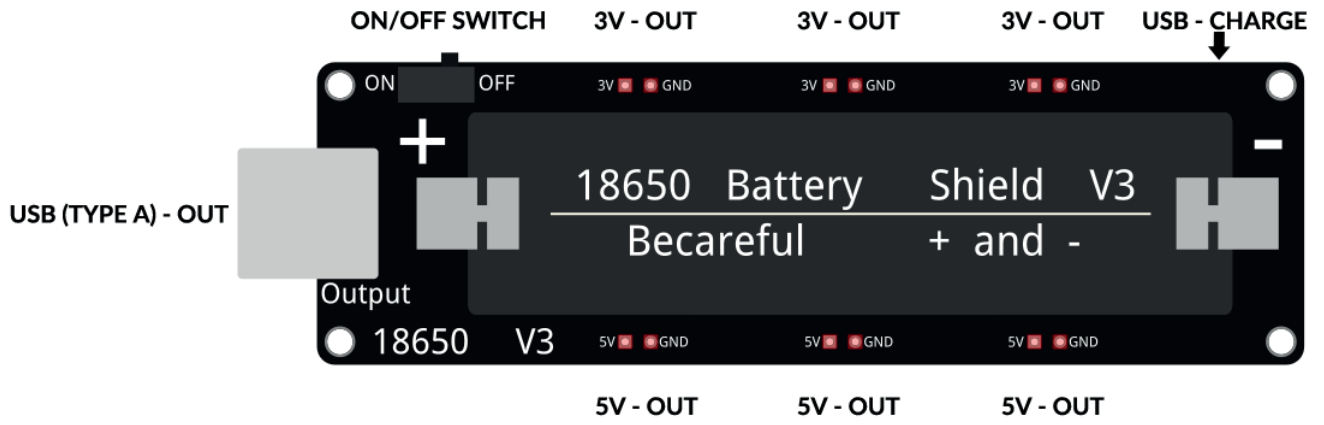
The module has an on-board two color LED. When battery is fully charged the LEDs light is green, and when LEDs light is red the module is in charging mode.

There is an on-board switch for controlling the USB output connector.

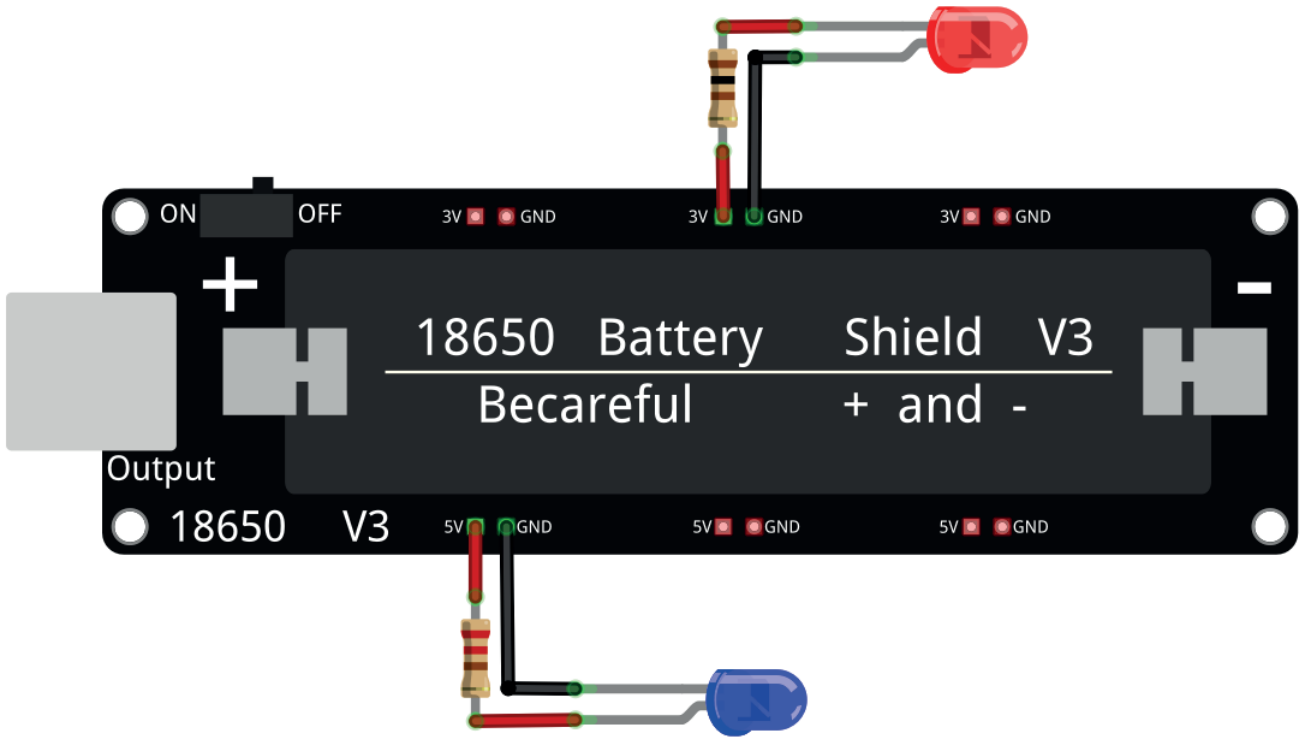
NOTE: The battery expansion module is shipped without a battery.

WARNING: Reversing polarity on any of output connectors or reversing polarity when inserting the battery will damage the module!

2. Pinout



3. Connection Diagram



AZ-Delivery

Ihr Experte für Mikroelektronik!

If you are looking for the high quality products for Arduino and Raspberry Pi, AZ-Delivery Vertriebs GmbH is the right company to get them from. You will be provided with numerous application examples, full installation guides, eBooks, libraries and assistance from our technical experts.