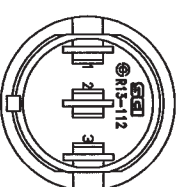
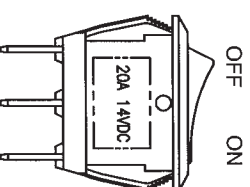
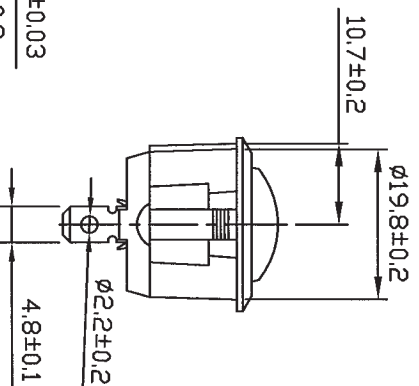
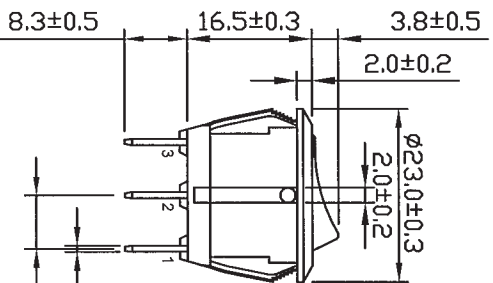
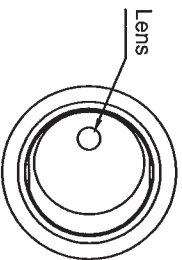


Rating	20A 14VDC	Mounting Hole
Contact Resistance	50m ohm Max.	
Insulation Resistance	DC 500V 100M ohm Min.	
Dielectric Strength	AC 1500V 1 minute	
Operation Temperature	-25°C~85°C	
Switch Function	3P SPST ON-OFF (LED dependent)	

*MATERIAL:
Frame: Black, Nylon#66
Actuator: Black, Nylon#66
Lens: Green clear, PC
Printed: None



C8/R13/R13-112B2-02(1821527)

Date	Name	Description		Model Name	ROCKER SWITCH	Rev.	0
Drawn	Checked	Approved	SCI BOM NO	1821527	Model No.	R13-112B2-02	
曹盈芳		<i>FA</i>	Customer No.		Unit	mm	
04/15/14		<i>4/15/14</i>	Unit	mm	Shin Chin Industrial Co., Ltd.		