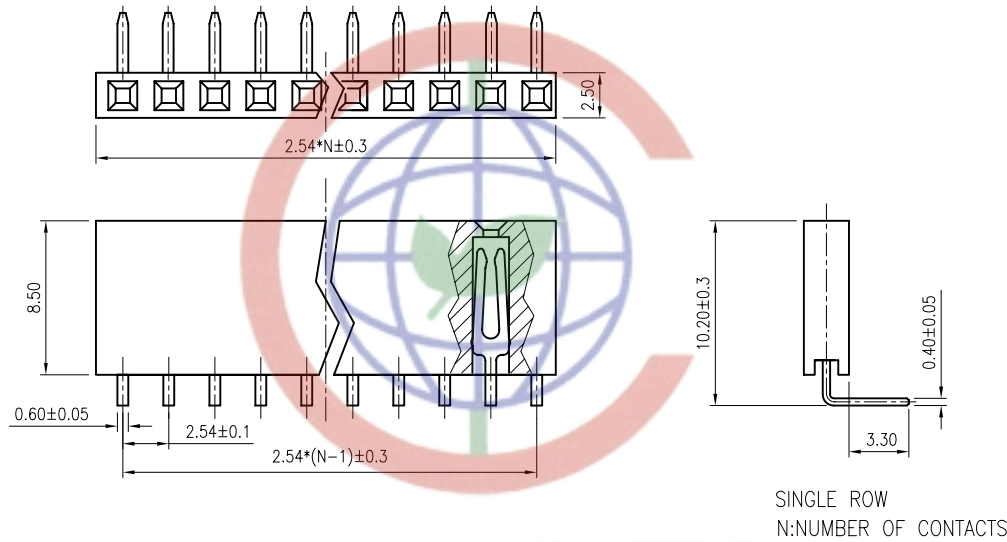


REV.	DESCRIPTION	DRAWN	CHECKED	APPROVED
A	NEW RELEASE	LJH 09/25/05'		LJC 09/25/05'
B	长端子非针尾宽度0.6更改为0.8	LL 11/29/06'		

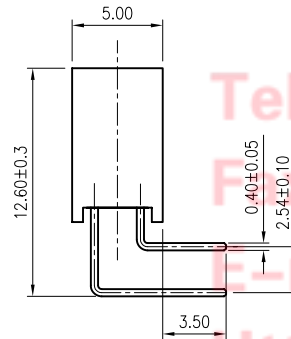
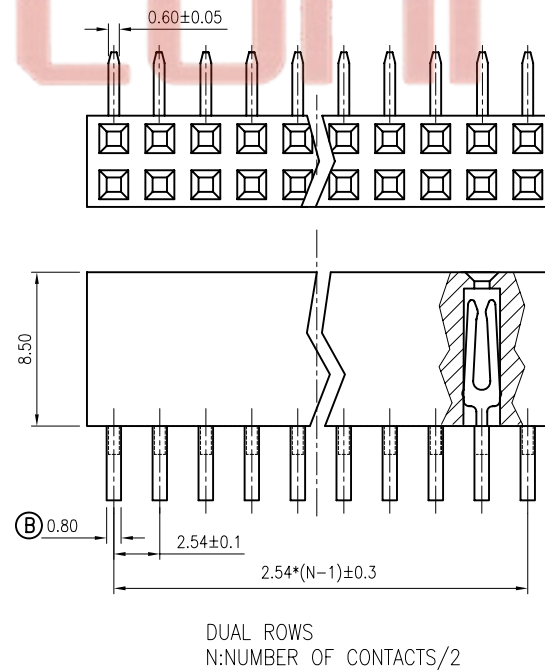


NOTES:

- ELECTRICAL CHARACTERISTICS:
 - CONTACT RESISTANCE: 30mΩ Max. INITIAL.
 - DIELECTRIC WITHSTANDING VOLTAGE: 500V AC(rms) FOR 1 MINUTE.
 - INSULATION RESISTANCE: 1000MΩ Min.
- ENVIRONMENT CHARACTERISTICS:
 - TEMPERATURE: -40°C~+105°C.
- PRODUCT NUMBER CODE:

DS1024- X X X

- CONTACT PLATING
F1: FULL GOLD FLASH
O: SELECTIVE GOLD FLASH
- MOUNTIING TYPE
R: R/A TYPE
- No.OF CONTACTS
1*1-1*40
2*2-2*40



GENERAL TOLERANCE		ANGLE TOLERANCE	
X.	±0.60	X.	±5°
.X	±0.38	.X	±3°
.XX	±0.25	.XX	±2°

PROJECTION		TITLE	
UNITS	mm	FEMALE HEADER KUANGLIANG YAN	
SHEET SIZE	A4	SERIES	DS1024 SERIES

DRAWING TYPE	CUSTOMER		
SCALE	1:1	SHEET	1 OF 1
DRAWING NO.	C-DS1024-XXXX		

PROJECTION		TITLE	
UNITS	mm	FEMALE HEADER KUANGLIANG YAN	
SHEET SIZE	A4	SERIES	DS1024 SERIES



晨翔电子有限公司

CONNFLY CONNFLY ELECTRONIC CO. LTD

Tel:86-574-63508787
 Fax:86-574-63510817
 E-mail:sale@zhenqin.com.cn
 Http://www.connfly.com

Add: Fashi Industry Zone Kuanliang Yan
 Town Sixiangbei China
 P.C.315333