

PIEZO BUZZER

Customer	
Customer P/O	
Bestar Model Name	BPT2312H05W(BZ-10)
Issue No.	BS/TEP01.079A
Issue Date	02/07/01

Approval:

- 1.Ordering Information
- 2.Technical Terms
- 3.Drawing
- 4.Reliability Test
- 5.Standard Output Measurement Setup



BESTAR ELECTRONICS INDUSTRY CO.,LTD
TianAn Industry Park4/F,Site B ChangZhou New District
Tel:86-519-5103228
Fax:86-519-5131010
E-Mail:wu@be-star.com
Http:www.be-star.com

BPT2312H05W

1. Ordering Information

BPT2312H05W
 BPT: Bestar Piezo Transducer
 23: Diameter 23 H05: height 5
 W: With wire



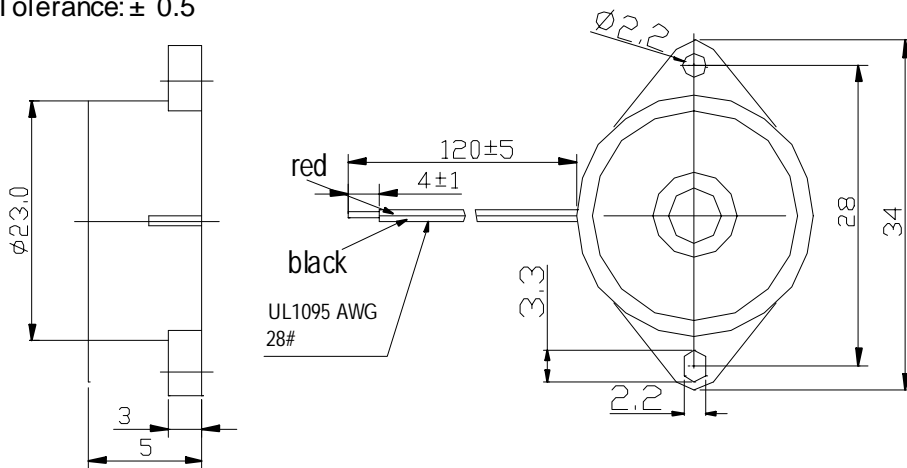
2. Technical Terms

Item	Unit	Specification
Rated Voltage	V	12
Operating Voltage	V	1...30
*Rated Current	mA	Max. 10
*Sound Output at 4.0KHz/30cm	dB	Min.80
*Resonant Frequency	Hz	4000 ± 500
Capacitance at 120Hz	pF	24000 ± 30%
Operating Temperature	°C	-20...+60
Storage Temperature	°C	-30...+70
Weight	g	2

*Value applying at rated voltage(DC).

3. Drawing

Tolerance: ± 0.5



This print and information therein are proprietary to Bestar Electronics Industry Co., Ltd. and shall not be used in whole or in part without its written content

DIS.		DATE		Page:1 of 3 3rd angle projection
CHEC.		DATE		
APPR.		DATE		

BPT2312H05W

Piezo Buzzer

DRG NO
BS/TEP01.079A



BESTAR ELECTRONICS INDUSTRY CO.,LTD
 TianAn Industry Park 4/F, Site B ChangZhou New District

BPT2312H05W

4. Reliability test

4.1 High temperature test

Temperature +60° c
Duration 96hrs

4.2 Low temperature test

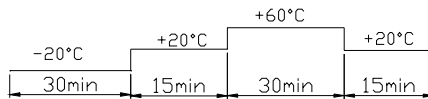
Temperature -20° c
Duration 96hrs

4.3 Life test in normal temperature

Power supply rated voltage
Duration 1000hrs

4.4 Temperature cycle test

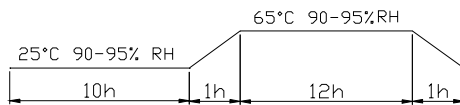
Cycles 5



all these tests above should be measured after leaving normal temperature for 2hrs.

4.5 Humidity cycle test

Cycles 5



all these tests above should be measured after leaving normal temperature for 2hrs.

4.6 Drop test

Height 70cm
(to 10mm thickness woodenboard)
Direction 3

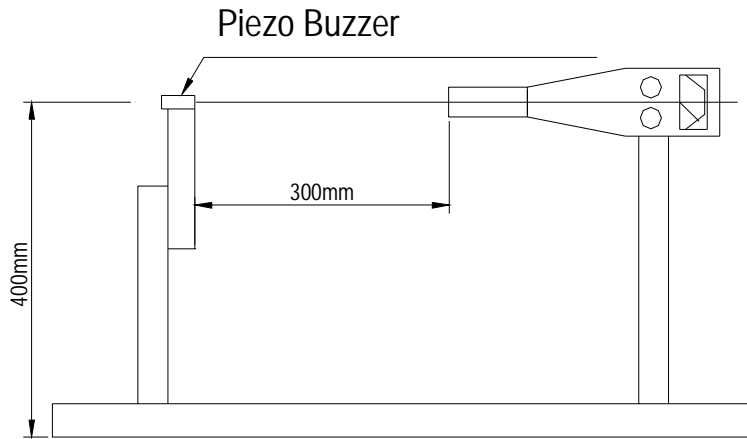
Notice: All specification must be satisfied in this condition.

This print and information therein are proprietary to Bestar Electronics Industry Co., Ltd. and shall not be used in whole or in part without its written content

DIS.		DATE		Page:2 of 3	BPT2312H05W
CHEC.		DATE		3rd angle projection	Piezo Buzzer
APPR.		DATE			
BESTAR ELECTRONICS INDUSTRY CO.,LTD TianAn Industry Park 4/F,Site B ChangZhou New District				DRG NO BS/TEP01.079A	

BPT2312H05W

5. Standard Output Measurement Setup



Normal Test Condition

Temperature 5~35°C

Humidity 45~85%

Atmosphere 645~795mmHg

If in the normal test there is any doubt in judgement, the test conditions could be as follows;

Temperature 20± 2°C

Humidity 60~70%

This print and information therein are proprietary to Bestar Electronics Industry Co., Ltd. and shall not be used in whole or in part without its written content

DIS.		DATE		Page:3 of 3 3rd angle projection	BPT2312H05W
CHEC.		DATE			Piezo Buzzer
APPR.		DATE			
 BESTAR ELECTRONICS INDUSTRY CO.,LTD TianAn Industry Park 4/F, Site B ChangZhou New District					DRG NO BS/TEP01.079A