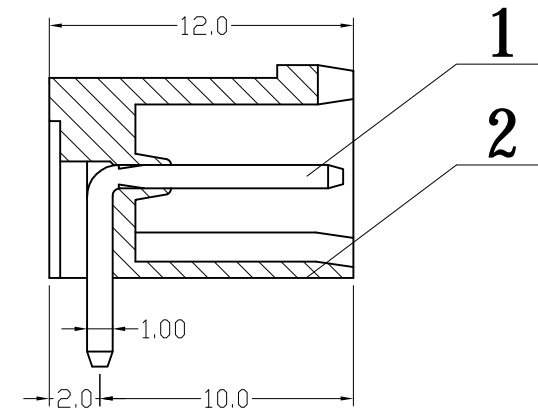
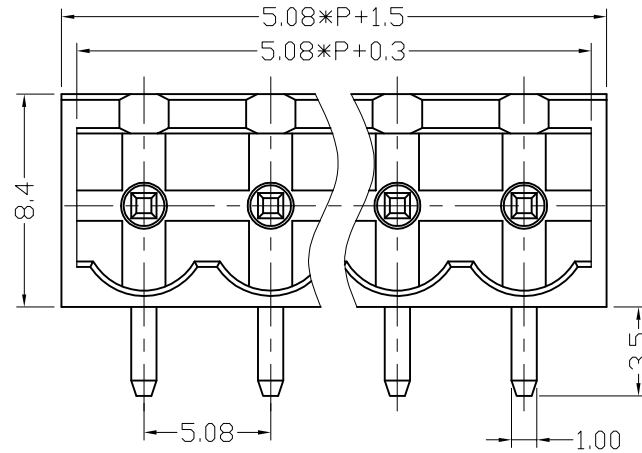


序号/RevNo.	名称/Title	文件编号/File No.
1	XY2500R 端子	QJ/XYT-2180301
2	XY2500 D塑件	QJ/XYT-2181201



300V 15A

Poles: 2P-22P

Pitch: 5.08 mm

Pin Dimension: 1.0X1.0mm

## Materials

Housing: PA66(UL 94V-0)

Solder Pin: Brass, Tin Plated.

设计/Designed by	绘图/Drawing by	审核/Checked by	批准/Approved by	未注公差 General Tolerance	
 XINLATA ELECTRONIC CO., LTD		图名/Title	文件编号/File No.	.x. ±0.2	.x." ±2"
		XY2500R-D 产品图	QJ/XYT-2281400	.x ±0.1	.x' ±1"
		页序/Sheet		.xx ±0.05	.xx' ±0.5"
备注/Remark				.xxx ±0.01	
				单位/Units: mm	

序号/RevNo.	更改记录/Revision note	签名/Signature	日期/Date