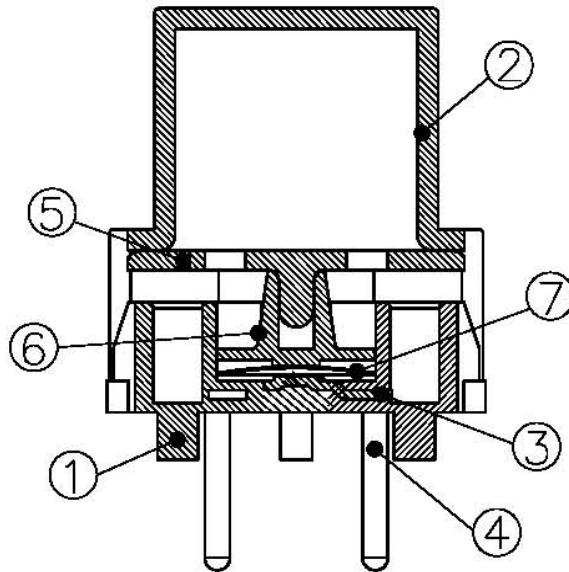
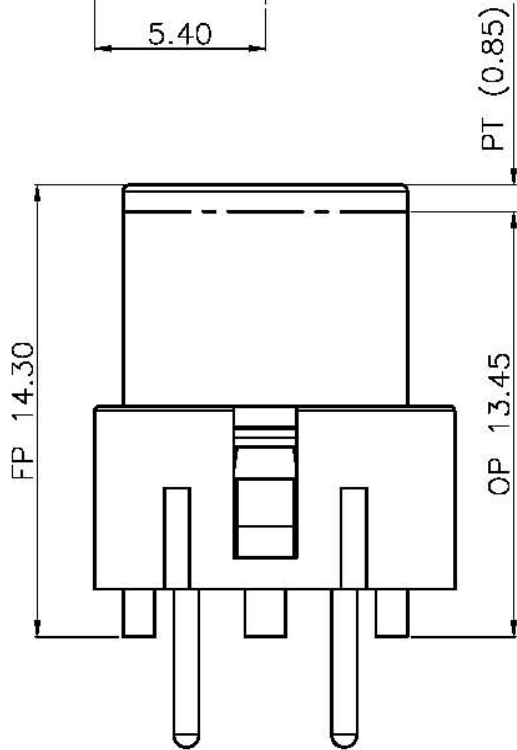
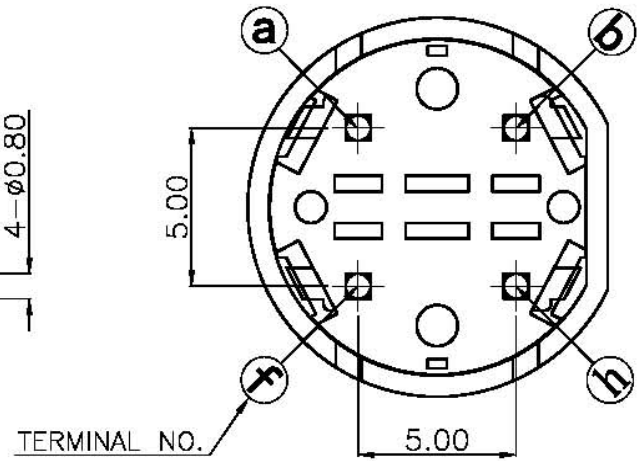
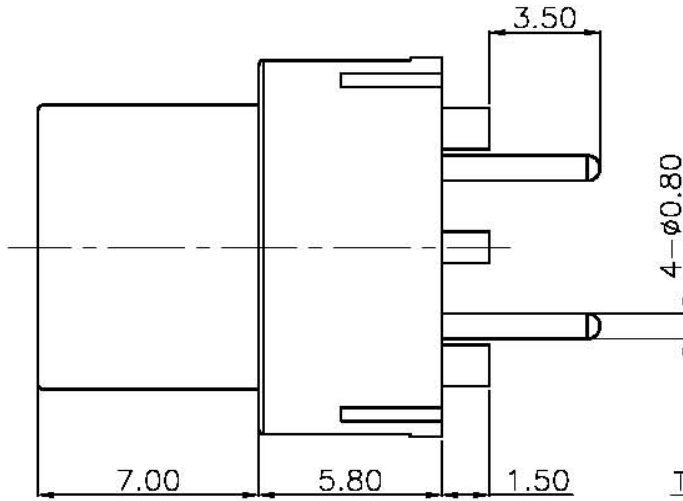
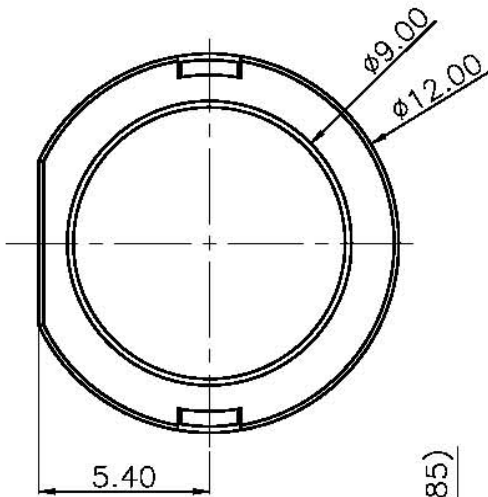
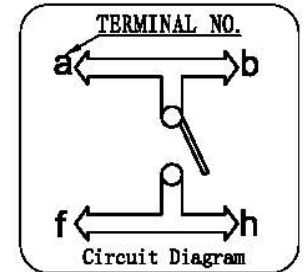


ABIDE BY ROHS



1191-R: CAP: RED  
 1191-B: CAP: BLACK  
 1191-W: CAP: WHITE  
 1191-GN: CAP: GREEN



ITEM	PART NAME	TER'NO	QTY	MATERIAL	FINISHING	REMARK
⑦	SHRAPNEL	---	1	STAINLESS STEEL	NATURAL	---
⑥	RUBBER PAD	---	1	RUBBER	NATURAL	---
⑤	CUSHION	---	1	POM	WHITE	---
④	TERMINAL (2)	a b f h	4	BRASS	Ag-PLATED	---
③	TERMINAL (1)	---	1	BRASS	Ag-PLATED	---
②	COVER	---	1	ABS	COVER C.L	---
①	HOUSING	---	1	PBT	WHITE	---

APPROVALS		DATE	ITEM NO.: 1191-□		
DRAWN	CHUN	2008.08.22	TITLE: TACT SWITCH(ROUND TYPE)		
CHECKED	YANG		DWG NO.: 1191-□-CN81-B1		
APPROVALS	RAY				
TOLERANCES ARE	30% ±0.30	ANGLE	UNIT: mm	SCALE: 2:1	PROJ:
	10% ±0.20	±2°			
	0.1% ±0.15				
	0.05% ±0.10				SHEET 1 OF 1

同利企業有限公司  
 TELE LONG ENTERPRISE CO.,LTD.  
 E-mail: rayyang@seed.net.tw