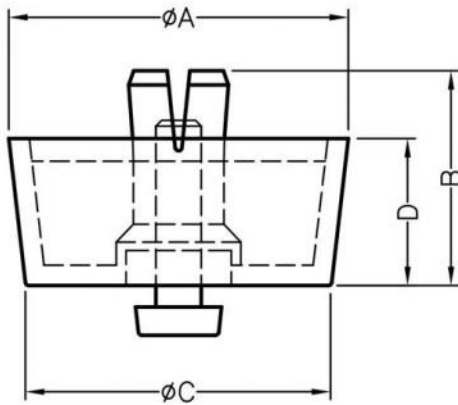


WEBSITE PHOTOS

⚠ This dwg is for reference only, Actual dwg should be based on formal engineering dwg issued by Kang Yang.



HOLE IN CHASSIS
T= CHASSIS THICKNESS

A	B	C	D	H	T
20.0	8.4	18.0	5.2	5.0	0.8

T	CHASSIS THICKNESS	MATERIAL	COLOR
1	PE		BLACK
2	NYLON 66(UL) 94V-2		BLACK

M2 is PIN.


 康揚企業股份有限公司
 KANG YANG HARDWARE ENTERPRISE CO., LTD.
 康揚塑膠(東莞)有限公司
 KANG YANG PLASTIC(DONG GUAN) CO., LTD.
 ISO 9001
 ISO 14001
 QC 080000
 康哲電腦配件(吳江)有限公司
 KANG CHE COMPUTER COMPONENTS(WUJIANG) CO., LTD.

PART NUMBER		FF-20	SPEC. DWG.	
TITLE				
PLASTIC FOOT				
MATERIAL		SEE ABOVE	COLOR	
			SEE ABOVE	
SIZE	SCALE	UNIT	CHECK	
A4	2:1	mm	Z.C	