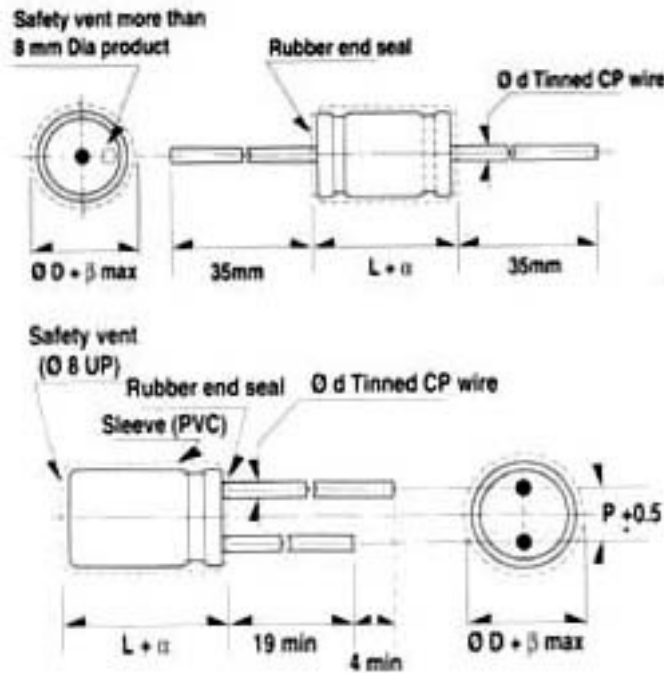


**NON-POLARIZED RADIAL LEAD TYPE / AXIAL LEAD TYPE**  
**DIMENSIONS: Unit (mm)**

**CASE SIZE: D $\phi$  X Lmm**  
**AXIAL LEADS ( $\pm 10\%$  TOL. AND  $10\%$  DF AT  $1KHz$ )**



WV(SV)	50(63)	63(79)	75(100)	100(125)
CAP( $\mu F$ )				
1	8 x 17	8 x 17	8 x 17	8 x 17
1.5	8 x 17	8 x 17	8 x 17	8 x 17
2.2	8 x 17	8 x 17	8 x 17	8 x 17
3.3	8 x 17	8 x 17	8 x 19	8 x 19
4.7	8 x 17	8 x 17	8 x 19	8 x 19
6.8	8 x 19	8 x 19	10 x 19	10 x 19
10	10 x 19	10 x 19	10 x 19	10 x 19
15	10 x 19	10 x 19	10 x 19	10 x 19
22	10 x 24	10 x 24	10 x 24	10 x 24
33	13 x 27	13 x 27	13 x 27	13 x 27
47	13 x 32	13 x 32	13 x 32	13 x 32
68	13 x 32	13 x 32	13 x 32	13 x 32
100	13 x 32	13 x 32	16 x 34	16 x 34
150	16 x 34	16 x 34	16 x 34	16 x 34
220	18 x 44	18 x 44	18 x 44	18 x 44

250	18 x 44	18 x 44	18 x 44	18 x 44
300	18 x 44	18 x 44	22 x 44	22 x 44